

# Technical Catalogue 2018/2019

:hager



**The reliable  
partner for  
intelligent  
solutions.**

**There's  
plenty to do.  
Let's get  
started.**

**The time for  
renovated electrical  
installations and  
intelligent solutions  
is now.**



**Dear friends and partners,**

We all value experience. Routine helps us to be fast and reliable, which can save us time, money and hard work. Yet there are also moments when we need to leave the familiar behind and take advantage of golden opportunities just waiting to be discovered and seized.

This is one of those moments.

Renewable energy sources and innovative building technologies are creating opportunities to make more intelligent and energy-efficient homes. And with our Ambient Assisted Living (AAL) solutions, we will be able to help older people and those who require special care to live safely and independently in the future.

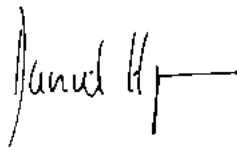
The latest studies indicate that many properties will first have to be adapted to accommodate the solar power systems, energy storage units and intelligent building controls that characterise smart homes. As of 2014, 15.3 million UK homes could benefit from improvements to aid in energy-efficient living and working. Large-scale renovation and modernisation are needed if renewable energy is to help achieve an 80 percent cut in the UK's carbon emissions by 2050.

This work requires specialists. There's plenty to do. Let's get started.

We at Hager Group will support you with the very best products, solutions and services. And we are constantly evolving and improving: we have more than 800 team members working on better products and innovative technologies to make your work easier and your customers' lives more comfortable. At the same time, we are increasing our focus on services so that we can provide you and your customers with expert support.

When it comes to change, we practise what we preach. And we rely on expert partners like you to help us set the trends for the future. This future is starting right now, and I'm looking forward to shaping it with you.

Yours sincerely,

A handwritten signature in black ink, appearing to read 'Daniel Hager', with a horizontal line extending to the right.

Daniel Hager  
Hager Group CEO

# Under one roof

Members of Hager Group

**:hager**

**B.**  
Berker

**ELCOM.**

**DAITEM**


**diagral**

**EFEN** 

**B. BOCCHIOTTI**

## One family

The world is changing, and we are changing with it. As a family company, we have grown steadily over the last sixty years to become a reliable partner to expert technicians and electrical wholesalers around the world. All while remaining true to ourselves and to our values. And so we continue today, with a number of well-known brands – each with their own distinctive strengths – working together under the Hager Group umbrella.



Hager Forum in Obernai, France, is a place where we can work with customers and partners to shape the future. That makes it a perfect symbol of the innovative power of Hager Group.

**hagergroup**

## Your trust

As a partner and customer, you can choose from the entire range of products and services offered by every member of our brand family. Our new corporate image highlights our shared strengths even more clearly. From now on, each of our brands will be easily recognisable as a 'Member of Hager Group'. The new corporate image also involves some colour and design changes. Our core promise remains the same: we will always work with you to succeed together.

## Our strengths

We have huge opportunities ahead. The upcoming modernisation of existing buildings, intelligent building technology, digital services, new energy sources and technologies – all of this opens up new, exciting potential for you and for us. At the same time, business requirements are becoming more and more complex. That's why it's so important for you to have Hager Group specialists supporting you with all of their expertise. Together, we are stronger. Together, we will overcome the complex challenges of our time with simple, impressive solutions – just as we have been doing for the last six decades.

# E3

Global warming, a shortage of natural resources, social cohesion and the transition to renewable energy: there are many challenges facing businesses and society today. Hager Group is pursuing a variety of initiatives to promote sustainable development with its “E3” approach.

# Environ

## **E for Environment**

We work continuously to reduce our carbon footprint. Our priorities include optimising the transport of our products and cutting the amount of energy we use in production to further reduce our Carbon footprint.





# Ethics

## **E for Ethics**

We need skilled, motivated and healthy employees in order to offer our customers the best services and products. That's why we provide all our team members with a safe, healthy working environment, support their professional growth and offer them opportunities for further development. We also promote diversity and adherence to an Ethics Code throughout the company.

# ment

# Energy

## **E for Energy**

Hager Group helps its customers to save energy intelligently. We also analyse and optimise our products' environmental performance throughout development and production. By providing a detailed environmental profile for most of our products, we can be fully transparent with our customers and ourselves.

# Technology as a friend



## Hager Design turns technical products into familiar friends.

Before we start designing a new product, we think about the people it is going to serve. Will it assist or entertain, observe or protect, save time or save energy? Ideally, whatever it does, users will feel it is a reliable 'friend'. We need to know how to connect with people on an emotional level, to ensure that in return they feel connected to our products.

### **Technology for people**

Responsible design builds on an ethical foundation. At Hager, this foundation is all about respecting people and caring about their well-being. And it's not just about today – we want to inspire our customers for years to come. That's why we include them in every stage of the design process – from installer to planner, to end user.

### **An honest brand**

Hager products are world-renowned for their quality, which is visibly and tangibly unveiled in their design. The unmistakable, explicit and clear brand image tells customers straight away that these products are part of 'the family'. This is our signature, the Hager DNA, which embodies two central principles.

### **Friendly, serene, balanced**

An honest, authentic design that blends naturally into everyday life, without gadgets or cheap effects.



Erwin van Handenhoven  
Hager Group Design Director

### **Ingeniously simple**

Our products are important, but never over-the-top. If it's not necessary, we leave it out. The essence remains. Straightforward in both form and function: simple to install, simple to use. Simply Hager!

### **Looking ahead to the future**

Hager systems are not stagnant – they are expanding, gaining more and more visibility in our customer's homes. This has implications for our present design language. We call it 'New Start'. The aim of New Start is to meet our customers where they are, and carry them with us into the future: with innovative ideas, new designs and expressive materials. The new Hager catalogue is full of 'New Starters' – along with lots of 'old friends'. Come and explore!



# Index

Page

---

<b>01 Distribution boards</b> novello <sup>+</sup> range / Metal plug & socket outlet accessory / Panel boards system		14
<hr/>		
<b>02 Enclosures</b> golf / vector / Bus bars and terminals		58
<hr/>		
<b>03 Protection and switching devices</b> hw ACBs / hba MCCBs-Moulded Case Circuit Breakers / Manual changeover switches / Automatic transfer switches / ACCL / Switch disconnectors / Changeover switches		72
<hr/>		
<b>04 Protection devices</b> hba MCBs / RCCBs / RCBOs / Accessories / Earth Leakage Relays / SPDs / HRC Fuses and Fuse carriers		194
<hr/>		
<b>05 Photovoltaic range</b> IP 65 UV protected Vector Enclosure / Photo Voltaic Fuses and Fuse carriers / 1000V DC Switch Disconnector / Surge Protection Device for Photovoltaic		246
<hr/>		
<b>06 Controls and signaling</b> Indicator lights / Pushbuttons / Analogue voltmeters and ammeters / Current transformers / Selector switches / Bells & Buzzers / Contactors / Latching Relays		250
<hr/>		
<b>07 Energy and lighting control</b> Time switches / Twilight switches / Presence & movement detectors / LED Floodlight / Dimmers / Energy meters / Time lag switch / Energy meters		268
<hr/>		
<b>08 Wiring accessories</b> insysta <sup>TM</sup>		318
<hr/>		
<b>09 Catalogue references index</b>		336

---

# Distribution boards

## welcome to novello<sup>+</sup> distribution boards section

novello<sup>+</sup> range of distribution boards are much more than enclosures. They incorporate new dimensions of protection for safety and convenience.



---

SPN distribution boards	20
TPN distribution boards	21
TPN horizontal PPI distribution boards	22
TPN tier type PPI distribution boards	23
TPN vertical distribution boards	24
TPN phase segregated distribution boards	27
TPN phase selector distribution boards	28
Flexi distribution boards	29
Enclosures	30
Plug & socket outlets	31
Metal plug & socket outlet	31
Cable end boxes for novello DBs	32
VTPN Panel boards	54

# novello<sup>+</sup> distribution boards

Absolute benchmark! The new age distribution boards with greater convenience and impressive aesthetics.



## Advantages for you:

---

- Quick & easy to install
- Additional safety for human protection
- Exceptional aesthetics
- Wide range to suit all applications

## Technical data:

---

- Single Door: IP30 / Double Door: IP43 & IP54
- As per IS 8623 - III
- Protection against mechanical impact IK09
- Plain & Acrylic doors
- RAL 9010
- Standard Accessories:
  - Wires sets
  - Insulated bus bars
  - Insulated neutral bars & earth bar
  - blanking plates, Cable management system
  - Circuit identification labels



# Expert tips



**01**

Patented gland plate locking system with minimal screws



**02**

Patented IP2X neutral terminals with flexibility to position it on the chassis



**03**

Spirit level to ensure accurate & professional alignment of wall box



**04**

Lab certified IP43 protection in double door versions. Archived by dual neoprene gasket between door, frame & wall box



**05**

Business card holder to retain electrician/maintenance contact information for future use



**06**

Site upgradable door handle with key lock facility



**07**

Double packaging for door protection until installation is complete



**08**

Star washers for earthing

# novello<sup>+</sup> distribution boards

Absolute benchmark! The new age distribution boards with greater convenience and impressive aesthetics.



## Advantages for you:

---

- Professional alignment with spirit level
- Reusable & flexible cable management
- Better protection with unique door packaging
- Upgrade to lockable enclosures possible

## Technical data:

---

- Single Door: IP30 / Double Door: IP43 & IP54
- As per IS 8623 - III
- Protection against mechanical impact IK09
- Plain & Acrylic doors
- RAL 9010
- Standard Accessories:
  - Wires sets
  - Insulated bus bars
  - Insulated neutral bars & earth bar
  - blanking plates, Cable management system
  - Circuit identification labels

# Expert tips



**09**

Reversible door



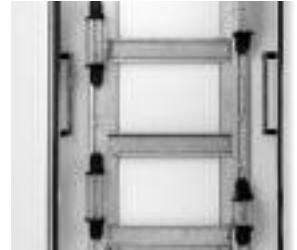
**10**

Anti wall insertion marking



**11**

Cement spill protection



**12**

Removable chassis for ease of installation



**13**

Convenient 180 degree door opening



**14**

Reusable cable management kit

## SPN distribution boards

### Description

- Metal DBs for single phase & neutral (SPN) supply distribution

### Technical data

- Conforms to IS 8623-III
- No. of modules – 4, 6, 8, 12, 16, 18 way
- Mounting – Surface / flush mounting
- IP category
  - IP30 for single door
  - IP43/54 for double door
- Material – CRCA sheet steel
- Color – RAL 9010, matt finish

### Incoming & outgoing devices

- Incoming : Two pole MCBs / RCBOs / RCCB / Isolator
- Outgoing : SP MCBs

### Features & benefits

- Removable Chassis for easy Interconnection
- Reversible door with earthing and removable front plate
- Patented IP2X Neutral terminal
- Cement spill protection
- Pozidrive screws for easy removal
- Anti wall insertion marking
- 100A tin plated insulated copper bus-bar
- 180° door opening
- Choice of plain and acrylic door
- Separate packing for door, frame and shield
- Blanking plates and circuit identification labels
- Cable management system



VYS12C



VYS12D

### IP30 - Single Door

Description	Total No. of Modules	Cat. Ref.
6 way	6	<b>VYS06C</b>
8 way	8	<b>VYS08C</b>
12 way	12	<b>VYS12C</b>
16 way	16	<b>VYS16C</b>
18 way	18	<b>VYS18C</b>

### IP43 - Double Door : Plain

Description	Total No. of Modules	Cat. Ref.
4 way	4	<b>VYS04D</b>
6 way	6	<b>VYS06D</b>
8 way	8	<b>VYS08D</b>
12 way	12	<b>VYS12D</b>
16 way	16	<b>VYS16D</b>
18 way	18	<b>VYS18D</b>

### IP43 Double Door-Acrylic / Glazed

Description	Total No. of Modules	Cat. Ref.
4 way	4	<b>VYS04G</b>
6 way	6	<b>VYS06G</b>
8 way	8	<b>VYS08G</b>
12 way	12	<b>VYS12G</b>
16 way	16	<b>VYS16G</b>
18 way	18	<b>VYS18G</b>

### IP54 Double Door-Plain

Description	Total No. of Modules	Cat. Ref.
4 way	4	<b>VYS04P</b>
6 way	6	<b>VYS06P</b>
8 way	8	<b>VYS08P</b>
12 way	12	<b>VYS12P</b>

**Pre-wired and TV telephone DBs available on request.  
For price and technical information, please contact your nearest Hager sales office.**

## TPN distribution boards

### Description

- Metal DBs for three phase & neutral (TPN) supply distribution

### Technical data

- Conforms to IS 8623-III
- No. of modules – 4 way to 16 way
- Mounting – Surface / flush mounting
- IP category
  - IP30 for single door
  - IP43/54 for double door
- Material – CRCA sheet steel
- Color – RAL 9010, matt finish

### Incoming & outgoing devices

- Incoming : Four pole MCBs / RCCBs / RCBOs / Isolator
- Outgoing : SP MCBs

### Features & benefits

- Removable Chassis for easy Interconnection
- Reversible door with earthing and removable front plate
- Patented IP2X Neutral terminal
- Cement spill protection
- Handle with lock provision
- Pozidrive screws for easy removal
- Anti wall insertion marking
- 100A tin plated insulated copper bus-bar
- 180° door opening
- Choice of plain and acrylic door
- Separate packing for door, frame and shield
- Blanking plates and circuit identification labels
- Cable management system
- Spirit level (for DBs above 8 Way TPN)



VYT06CH

### IP30 Single Door

Description	Total No. of Modules (Incoming + Outgoing)	Cat. Ref.
4 way*	4 + 12	<b>VYT04CD</b>
6 way*	4 + 18	<b>VYT06CD</b>
4 way	8 + 12	<b>VYT04CH</b>
6 way	8 + 18	<b>VYT06CH</b>
8 way	8 + 24	<b>VYT08CH</b>
12 way	8 + 36	<b>VYT12CH</b>



VYT06DH

### IP43 Double Door-Plain

Description	Total No. of Modules (Incoming + Outgoing)	Cat. Ref.
4 way*	4 + 12	<b>VYT04DD</b>
6 way*	4 + 18	<b>VYT06DD</b>
4 way	8 + 12	<b>VYT04DH</b>
6 way	8 + 18	<b>VYT06DH</b>
8 way	8 + 24	<b>VYT08DH</b>
12 way	8 + 36	<b>VYT12DH</b>
16 way	8 + 48	<b>VYT16DH</b>

### IP43 Double Door-Acrylic / Glazed

Description	Total No. of Modules (Incoming + Outgoing)	Cat. Ref.
4 way	8 + 12	<b>VYT04GH</b>
6 way	8 + 18	<b>VYT06GH</b>
8 way	8 + 24	<b>VYT08GH</b>
12 way	8 + 36	<b>VYT12GH</b>
16 way	8 + 48	<b>VYT16GH</b>

### IP54 Double Door-Plain

Description	Total No. of Modules (Incoming + Outgoing)	Cat. Ref.
4 way	8 + 12	<b>VYT04PH</b>
6 way	8 + 18	<b>VYT06PH</b>
8 way	8 + 24	<b>VYT08PH</b>
12 way	8 + 36	<b>VYT12PH</b>

\* DBs with provision for 4 module incomer, other DBs have provision for 8 module incomer.

**Pre-wired and TV telephone DBs available on request.**  
**For price and technical information, please contact your nearest Hager sales office.**

## TPN horizontal PPI distribution boards

### Description

- Metal DBs for three phase & neutral (TPN) supply distribution with (PPI) per phase isolation

### Technical data

- Conforms to IS 8623-III
- No. of modules – 4+2 way to 12+2 way
- Mounting – Surface / flush mounting
- IP category – IP43 / 54 for double door
- Material – CRCA sheet steel
- Color – RAL 9010, matt finish

### Incoming & outgoing devices

- Incoming : Four pole MCBs / RCCBs / RCBOs / Isolator
- Sub in-comer : 2 Pole MCBs RCCBs / RCBOs
- Outgoing : SP MCBs

### Features & benefits

- Provision to mount 2P RCCBs / RCBOs / MCBs in each phase as sub-in-comer
- Removable Chassis for easy Interconnection
- Reversible door with earthing and removable front plate
- Neutral link with protection cover
- Cement spill protection
- Handle with lock provision
- Pozidrive screws for easy removal
- Anti wall insertion marking
- 100A tin plated insulated copper bus-bar
- Choice of plain and acrylic door
- Separate packing for door, frame and shield
- Cable ties, cable tie holder, blanking plates and circuit identification labels
- Spirit level



VYH06DH



VYH06GH

### IP43 Double Door

Description	Total No. of Modules (Incoming + Subincomer + Outgoing)	Cat. Ref.
4 way	8 + 6 + 12	<b>VYH04DH</b>
6 way	8 + 6 + 18	<b>VYH06DH</b>
8 way	8 + 6 + 24	<b>VYH08DH</b>
12 way	8 + 6 + 36	<b>VYH12DH</b>

### IP43 Double Door-Acrylic / Glazed

Description	Total No. of Modules (Incoming + Subincomer + Outgoing)	Cat. Ref.
4 way	8 + 6 + 12	<b>VYH04GH</b>
6 way	8 + 6 + 18	<b>VYH06GH</b>
8 way	8 + 6 + 24	<b>VYH08GH</b>
12 way	8 + 6 + 36	<b>VYH12GH</b>

### IP54 Double Door-Plain

Description	Total No. of Modules (Incoming + Subincomer + Outgoing)	Cat. Ref.
4 way	8 + 6 + 12	<b>VYH04PH</b>
6 way	8 + 6 + 18	<b>VYH06PH</b>
8 way	8 + 6 + 24	<b>VYH08PH</b>
12 way	8 + 6 + 36	<b>VYH12PH</b>

**TPN tier PPI distribution boards**

**Description**

- Metal DBs for three phase & neutral (TPN) supply distribution with (PPI) per phase isolation

**Technical data**

- Conforms to IS 8623-III
- No. of modules – 6+2 way to 16+2 way
- Mounting – Surface / flush mounting
- IP category – IP43/54 for double door
- Material – CRCA sheet steel
- Color – RAL 9010, matt finish

**Incoming & outgoing devices**

- Incoming : Four pole MCBs / RCCBs / RCBOs / Isolator and option of h3 type MCCBs upto 160A as incomer in 12+2 way\* Tier PPI DB
- Sub incomer : 2 Pole MCB / RCCB / RCBO
- Outgoing : SP MCBs

**Features & benefits**

- Provision to mount 2P MCB / RCCB / RCBOs in each phase as sub-incomer
- Removable Chassis for easy Interconnection
- Reversible door with earthing and removable front plate
- Neutral link with protection cover
- Cement spill protection
- Handle with lock provision
- Pozidrive screws for easy removal
- Anti wall insertion marking
- 100A tin plated insulated copper bus-bar
- Choice of plain and acrylic door
- Separate packing for door, frame and shield
- Cable ties, cable tie holder, blanking plates and circuit identification labels
- Spirit level



VYP10DH

**IP43 Double Door-Plain**

Description	Total No. of Modules (Incoming + Subincomer + Outgoing)	Cat. Ref.
6 way	8 + 6 + 18	<b>VYP06DH</b>
8 way	8 + 6 + 24	<b>VYP08DH</b>
10 way	8 + 6 + 30	<b>VYP10DH</b>
12 way	8 + 6 + 36	<b>VYP12DH</b>
12 way*	MCCB + 6 + 36	<b>VYP12DM</b>
16 way	8 + 6 + 48	<b>VYP16DH</b>

**IP43 Double Door-Acrylic / Glazed**

Description	Total No. of Modules (Incoming + Subincomer + Outgoing)	Cat. Ref.
6 way	8 + 6 + 18	<b>VYP06GH</b>
8 way	8 + 6 + 24	<b>VYP08GH</b>
10 way	8 + 6 + 30	<b>VYP10GH</b>
12 way	8 + 6 + 36	<b>VYP12GH</b>
12 way*	MCCB + 6 + 36	<b>VYP12GM</b>
16 way	8 + 6 + 48	<b>VYP16GH</b>

**IP54 Double Door-Plain**

Description	Total No. of Modules (Incoming + Subincomer + Outgoing)	Cat. Ref.
6 way	8 + 6 + 18	<b>VYP06PH</b>
8 way	8 + 6 + 24	<b>VYP08PH</b>
12 way	8 + 6 + 36	<b>VYP12PH</b>

## TPN vertical distribution boards (modular incomer)

### Description

- Metal DBs with 160A vertical bus-bar for three phase & neutral (TPN) supply distribution

### Technical data

- Conforms to IS 8623-III
- No. of modules – 4 way to 16 way
- Mounting – Surface / flush mounting
- IP category – IP30 for single door/ IP43/54 for double door
- Material – CRCA sheet steel
- Color – RAL 9010, matt finish
- Bus bar rating– 160A

### Incoming & outgoing devices

Incoming : Four pole MCBs / HLF MCBs / RCCBs / RCBOs / Isolator  
 Outgoing : SP / TP MCBs

### Features & benefits

- Removable PAN assembly for easy Interconnection
- Reversible door with earthing and removable front plate
- Neutral link with protection cover
- Cement spill protection
- Handle with lock provision
- Pozidrive screws for easy removal
- Anti wall insertion marking
- Choice of plain and acrylic door
- Separate packing for door, frame and shield
- Cable ties, blank plates & circuit identification labels
- Spirit level



VYV04DL-P

### IP43 Double Door-Plain

Description	Total No. of Modules (Incoming + Subincomer + Outgoing)	Cat. Ref.
4 way	12 + 12	VYV04DL-P
6 way	12 + 18	VYV06DL-P
8 way	12 + 24	VYV08DL-P
12 way	12 + 36	VYV12DL-P
16 way	12 + 48	VYV16DL-P

### Metering Box For VTPN

Description	Total No. of Modules (Incoming + Subincomer + Outgoing)	Cat. Ref.
Modular incomer	Suitable for all VTPN DBs	VYV00M



**TPN vertical distribution boards (MCCB incomer x160 frame)**

**Description**

- Metal DBs with 160A vertical bus-bar vertical bus-bar for three phase & neutral (TPN) supply distribution with MCCB as incomer

**Technical data**

- Conforms to IS 8623-III
- No. of modules – 4 way to 16 way
- Mounting – Surface / flush mounting
- IP category – IP43/54 for double door
- Material – CRCA sheet steel
- Color – RAL 9010, matt finish
- Bus-bar rating – 160A

**Incoming & outgoing devices**

- Incoming : MCCBs Type h3, 3P & 4P upto 160A
- Outgoing : SP / TP MCBs

**Features & benefits**

- MCCBs upto 160A as incomer
- Removable PAN assembly for easy Interconnection
- Reversible door with earthing and removable front plate
- Neutral link with protection cover
- Cement spill protection
- Handle with lock provision
- Pozidrive screws for easy removal
- Anti wall insertion marking
- Choice of plain and acrylic door
- Separate packing for door, frame and shield
- Cable ties, blank plates & circuit identification labels
- Spirit level



VYV06DM-P

**IP43 Double Door-Plain**

Description	Total No. of Modules (Incoming + Outgoing)	Cat. Ref.
4 way	x160 frame MCCB + 12	<b>VYV04DM-P</b>
6 way	x160 frame MCCB + 18	<b>VYV06DM-P</b>
8 way	x160 frame MCCB + 24	<b>VYV08DM-P</b>
12 way	x160 frame MCCB + 36	<b>VYV12DM-P</b>
16 way	x160 frame MCCB + 48	<b>VYV16DM-P</b>

**Metering Box For VTPN**

Description	Total No. of Modules (Incoming + Outgoing)	Cat. Ref.
x160 frame	Suitable for all VTPN DBs	<b>VYV00M</b>

## TPN vertical distribution boards (MCCB incomer x250 frame)

### Description

- Metal DBs with 250A vertical bus-bar for three phase & neutral (TPN) supply distribution with MCCB as incomer

### Technical data

- Conforms to IS 8623-III
- No. of modules – 4 way to 16 way
- Mounting – Surface / flush mounting
- IP category – IP43/54 for double door
- Material – CRCA sheet steel
- Color – RAL 9010, matt finish
- Bus-bar rating – 250A

### Incoming & outgoing devices

- Incoming : MCCBs Type h3, 3P & 4P upto 250A
- Outgoing : SP / TP MCBs

### Features & benefits

- MCCBs upto 250A as incomer
- Removable Chassis for easy Interconnection
- Reversible door with earthing and removable front plate
- Neutral link with protection cover
- Cement spill protection
- Handle with lock provision
- Pozidrive screws for easy removal
- Anti wall insertion marking
- Choice of plain and acrylic door
- Separate packing for door, frame and shield
- Cable ties, blank plates & circuit identification labels
- Spirit level



VYV06DM2-P

### IP43 Double Door-Plain

Description	Total No. of Modules (Incoming + Subincomer + Outgoing)	Cat. Ref.
4 way	x250 frame MCCB +12	<b>VYV04DM2-P</b>
6way	x250 frame MCCB + 18	<b>VYV06DM2-P</b>
8way	x250 frame MCCB + 24	<b>VYV08DM2-P</b>
12way	x250 frame MCCB + 36	<b>VYV12DM2-P</b>
16way	x250 frame MCCB + 48	<b>VYV16DM2-P</b>

### Metering Box For VTPN

Description	Total No. of Modules (Incoming + Subincomer + Outgoing)	Cat. Ref.
x250 frame	Suitable for all VTPN DBs	<b>VYV00M</b>

**TPN phase segregated distribution boards**

**Description**

- Metal DBs for three phase & neutral (TPN) supply distribution with total phase segregation

**Technical data**

- Conforms to IS 8623-III
- No. of modules – 4 way to 12 way
- Mounting – Surface / flush mounting
- IP category –
  - IP30 for single door
  - IP42 for double door
- Material – CRCA sheet steel
- Color – RAL 9010, matt finish

**Incoming & outgoing devices**

**Incoming :**

- Modular : Provision for 4P MCBs / RCCBs / RCBOs as incomer
- MCCB : Provision for h3 type 160A 3P and 4P MCCBs

**Sub incomer :** DP MCBs / RCCBs / RCBOs

**Outgoing :** SP MCBs

**Features & benefits**

- Total phase segregation between I/C, sub I/C & O/G
- Neutral link with protection cover
- Handle with lock provision
- Pozidrive screws for easy removal
- 100A tin plated insulated copper bus-bar
- Cable ties, blank plates & circuit identification labels
- Spirit level



VYG04DM

**IP30 Single Door**

Description	Total No. of Modules (Incoming + Subincomer + Outgoing)	Cat. Ref.
4 way	12 + 12 + 12	<b>VYG04CL</b>
6 way	12 + 12 + 18	<b>VYG06CL</b>
8 way	12 + 12 + 24	<b>VYG08CL</b>
12 way	12 + 12 + 36	<b>VYG12CL</b>

**IP42 Double Door-Plain**

Description	Total No. of Modules (Incoming + Subincomer + Outgoing)	Cat. Ref.
4 way	12 + 12 + 12	<b>VYG04DL</b>
6 way	12 + 12 + 18	<b>VYG06DL</b>
8 way	12 + 12 + 24	<b>VYG08DL</b>
12 way	12 + 12 + 36	<b>VYG12DL</b>

**IP42 Double Door-Plain**

Description	Total No. of Modules (Incoming + Subincomer + Outgoing)	Cat. Ref.
4 way	MCCB x160 + 12 + 12	<b>VYG04DM</b>
6 way	MCCB x160 + 12 + 18	<b>VYG06DM</b>
8 way	MCCB x160 + 12 + 24	<b>VYG08DM</b>
12 way	MCCB x160 + 12 + 36	<b>VYG12DM</b>

## TPN phase selector distribution boards

### Description

- Metal DB for three phase & neutral (TPN) supply distribution with selector switches for phase selection

### Technical data

- Conforms to IS 8623-III
- No. of modules – 4 way to 12 way
- Mounting – Surface / flush mounting
- IP category –
  - IP30 for single door
  - IP42 for double door
- Material – CRCA sheet steel
- Color – RAL 9010, matt finish
- 63A rotary switches

### Incoming & outgoing devices

- Incoming : 4P MCB / RCCB / RCBO / Isolator
- Outgoing : SP MCBs

### Features & benefits

- Equipped with 3 nos 63A rotary switches
- With bus bar interconnection between rotary switches
- Equipped with color coded wires set
- Neutral link with protection cover
- Handle with lock provision
- Pozidrive screws for easy removal
- 100A tin plated insulated copper bus-bar
- Cable ties, blank plates & circuit identification labels
- Spirit level



VYC04DH

### IP30 Single Door

Description	Total No. of Modules (Incoming + Outgoing)	Cat. Ref.
4 way	8 + 12	<b>VYC04CH</b>
6 way	8 + 18	<b>VYC06CH</b>
8 way	8 + 24	<b>VYC08CH</b>
12 way	8 + 36	<b>VYC12CH</b>

### IP42 Double Door-Plain

Description	Total No. of Modules (Incoming + Outgoing)	Cat. Ref.
4 way	8 + 12	<b>VYC04DH</b>
4 way (Single Front Plate)	6 + 12	<b>VYC04DF</b>
6 way	8 + 18	<b>VYC06DH</b>
8 way	8 + 24	<b>VYC08DH</b>
12 way	8 + 36	<b>VYC12DH</b>

**flexi distribution boards**

**Description**

- Metal DBs with flexibility to mount incoming & outgoing as per requirement

**Technical data**

- Conforms to IS 8623-III
- No of rows - 2, 3 & 4 rows
- No. of modules – 28, 42, 56 & 64 modules
- Mounting – Surface / flush mounting
- IP category – IP43 for double door
- Material – CRCA sheet steel
- Color – RAL 9010, matt finish

**Incoming & outgoing devices**

Any modular device as per requirement / application

**Features & benefits**

- Removable Chassis for easy Interconnection
- Reversible door with earthing and removable front plate
- Neutral link with protection cover
- Cement spill protection
- Plastic corners for protection against damage
- Handle with lock provision
- Pozidrive screws for easy removal
- Anti wall insertion marking
- Choice of plain and acrylic door
- Separate packing for door, frame and shield
- Cable ties, blank plates & circuit identification labels
- Spirit level



VYF414D

**IP43 Double Door-Plain**

Description	Total No. of Modules (Incoming + Outgoing)	Cat. Ref.
2 row 28 mod	28	<b>VYF214D</b>
3 row 42 mod	42	<b>VYF314D</b>
4 row 56 mod	56	<b>VYF414D</b>
4 row 64 mod	64	<b>VYF416D</b>

**IP43 Double Door-Acrylic / Glazed**

Description	Total No. of Modules (Incoming + Outgoing)	Cat. Ref.
2 row 28 mod	28	<b>VYF214G</b>
3 row 42 mod	42	<b>VYF314G</b>
4 row 56 mod	56	<b>VYF414G</b>
4 row 64 mod	64	<b>VYF416G</b>

**IP54 Double Door-Plain**

Description	Total No. of Modules (Incoming + Outgoing)	Cat. Ref.
2 row 28 mod	28	<b>VYF214P</b>
3 row 42 mod	42	<b>VYF314P</b>
4 row 56 mod	56	<b>VYF414P</b>
4 row 64 mod	64	<b>VYF416P</b>

## One way enclosures

### Description

- Metal enclosures for flush and surface mounting

### Features & benefits

- Compact in size

### Technical data

- Conforms to IS 8623-III
- No. of modules – 2, 4, 6 & 8 modules
- Mounting – Surface / flush mounting
- IP category – IP30 for single door
- Material – CRCA sheet steel
- Color – RAL 9010, matt finish



VYM04C

### IP30 Single Door

Description	Total No. of Modules	Cat. Ref.
2 way	2	<b>VYM02C</b>
4 way	4	<b>VYM04C</b>
6 way	6	<b>VYM06C</b>
8 way	8	<b>VYM08C</b>

## MCCB enclosures

### Description

- Metal enclosures for flush and surface mounting

### Features & benefits

- Compact in size

### Technical data

- Conforms to IS 8623-III
- For x160, x250 H3 MCCB
- Mounting – Surface / flush mounting
- IP category – IP30 for single door
- Material – CRCA sheet steel
- Color – RAL 9010, matt finish



VYM160HM

### IP30 Single Door

Description	Total No. of Modules	Cat. Ref.
MCCB X160 frame H3 - 3P	160A	<b>VYM160HM</b>
MCCB X160 frame H3 - 4P	160A	<b>VYM161HM</b>
MCCB X250 frame H3 - 3P	250A	<b>VYM250HM</b>
MCCB X250 frame H3 - 4P	250A	<b>VYM251HM</b>

## Plug & socket outlets

### Description

- Insulated / Metal-clad plug & socket outlets for supplying specific loads

### Features & benefits

- Compact in size
- Provision to mount MCBs / RCCBs / RCBOs

### Technical data

- Conforms to IS 8623-III
- Rating –
  - SPN – 10A, 20A & 32A
  - TPN – 32A & 63A
- Mounting – Surface / flush mounting
- IP category –
  - IP30 for metal clad unit
  - IP54 for insulated P&S (IP30 for enclosure)
- Material – CRCA sheet steel
- Color – RAL 9010, matt finish



VYA220C

### IP30 Metal Plug & Socket

Description	Total No. of Modules (Incoming + Outgoing)	Cat. Ref.
10A, 1 P	10A Metal P & S with 1M	<b>VYA110C</b>
20A, 1 P	20A Metal P & S with 1M	<b>VYA120C</b>
20A, 2 P	20A Metal P & S with 2M	<b>VYA220C</b>
20A, 3 P	20A Metal P & S with 4M	<b>VYA420C</b>
32A, 3 P	32A Metal P & S with 4M	<b>VYA432C</b>
63A, 5 P	63A Metal P & S with 8M	<b>VYA863C</b>



VYB432C

### IP-54 Plastic Plug & Socket

Description	Total No. of Modules (Incoming + Outgoing)	Cat. Ref.
16A, 2 P	16A Plastic P & S with 4M	<b>VYB416C</b>
32A, 2 P	32A Plastic P & S with 4M	<b>VYB432C</b>
32A, 5 P	32A Plastic P & S with 8M	<b>VYB832C</b>
63A, 5 P	63A Plastic P & S with 8M	<b>VYB863C</b>

## Metal plug & socket outlet accessory

### Description

- Metal-clad plug & socket outlets for supplying specific loads

### Features & benefits

- Plastic caps for socket
- Ensures human safety
- Non-corrosive die cast aluminium alloy with robust design

### Technical data

- Conforms to IS8804
- Rating – 10A - 63A
- Range - Plugs, Sockets
- Material – Cast aluminium alloy
- Color
  - Blue for 250VAC
  - Red for 440VAC



VZ130I & VZ140I

### Metal Plug

Description	Cat. Ref.
10A 2P+E	<b>VZ130I</b>
20A 2P+E	<b>VZ131I</b>
20A 3P+E	<b>VZ132I</b>
32A 3P+E	<b>VZ133I</b>
63A 3P+E	<b>VZ134I</b>



VZ132I & VZ142I

### Metal Socket

Description	Cat. Ref.
10A 2P+E	<b>VZ140I</b>
20A 2P+E	<b>VZ141I</b>
20A 3P+E	<b>VZ142I</b>
32A 3P+E	<b>VZ143I</b>
63A 3P+E	<b>VZ144I</b>

### cable end boxes for novello<sup>+</sup> DBs

#### Description

- To manage loose wires
- Mounted on top of distribution boards

#### Technical data

- Material – CRCA sheet steel
- Color – RAL 9010, matt finish

#### for SPN DBs

Description	Cat. Ref.
4 way	<b>VYS04E</b>
6 way	<b>VYS06E</b>
8 way	<b>VYS08E</b>
12 way	<b>VYS12E</b>
16 way	<b>VYS16E</b>



VYT08E

#### for TPN DBs

Description	Cat. Ref.
4 way	<b>VYT04E</b>
6 way	<b>VYT06E</b>
8 way	<b>VYT08E</b>
12 way	<b>VYT12E</b>
16 way	<b>VYT16E</b>



VYT04E

#### for Horizontal PPI DBs

Description	Cat. Ref.
4+2 way	<b>VYH04E</b>
6+2 way	<b>VYH06E</b>
8+2 way	<b>VYH08E</b>
12+2 way	<b>VYH12E</b>

#### for Tier PPI DBs

Description	Cat. Ref.
6+2 way	<b>VYP06E</b>
8+2 way	<b>VYP08E</b>
10+2 way	<b>VYP10E</b>
12+2 way	<b>VYP12E</b>
12+2 way (MCCB I/c)	<b>VYP12EM</b>

#### for VTPN DBs

Description	Cat. Ref.
x160 Frame MCCB Incomer and Modular Incomer	<b>VYV00E</b>

#### for Flexi DBs

Description	Cat. Ref.
14 mod	<b>VYF14E</b>
16 mod	<b>VYF16E</b>

### Accessories for novello<sup>+</sup> DBs

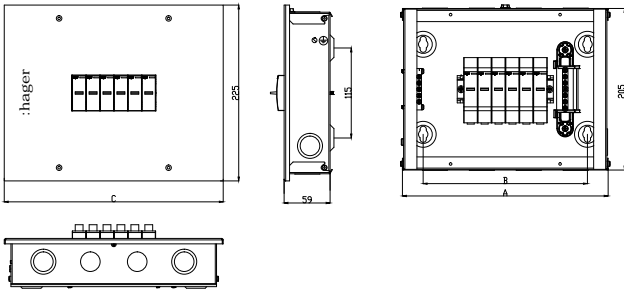
#### Description

- Keylock can be added at site without changing of distribution boards

Description	Cat. Ref.
Keylock + 2 keys	<b>VZ100i</b>
Door handle for novello	<b>VZ101i</b>
Neutral link 5 connection	<b>VZ110i</b>
Neutral link 9 connection	<b>VZ111i</b>
Neutral link 15 connection	<b>VZ112i</b>
Neutral link 19 connection	<b>VZ113i</b>
4 way 8 Segment cover plate - 4 Mod	<b>VZ120i</b>
8 way 8 Segment cover plate - 4 Mod	<b>VZ121i</b>
6 way 8 Segment cover plate - 4 Mod	<b>VZ122i</b>
12 way 8 Segment cover plate - 4 Mod	<b>VZ123i</b>

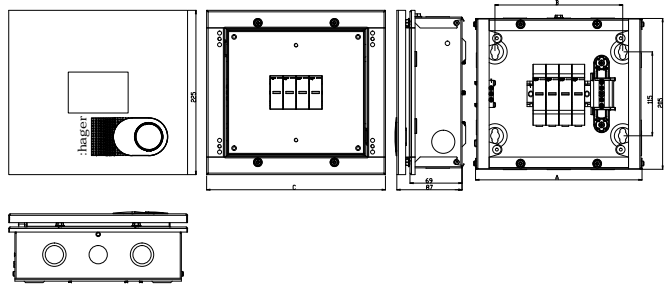


IP30 - Single Door



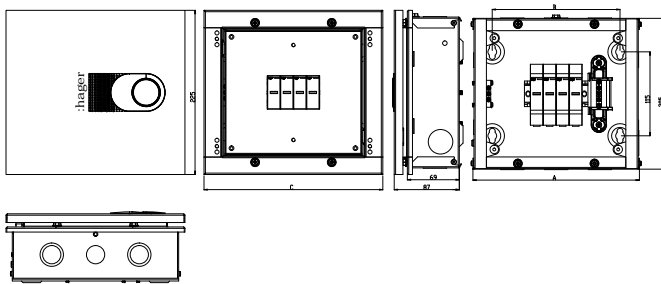
Way	Cat No.	A	B	C	Top Bottom		Both Side
					25 K'out	25/32 K'out	25/32 K'out
6	VYS06C	260	210	280	2 Nos.	2 Nos.	1 No.
8	VYS08C	295	245	315	2 Nos.	2 Nos.	1 No.
12	VYS12C	370	320	390	4 Nos.	2 Nos.	1 No.
16	VYS16C	460	410	480	5 Nos.	2 Nos.	1 No.
18	VYS18C	495	445	515	6 Nos.	2 Nos.	1 No.

IP43 - Double Door - Glazed Door



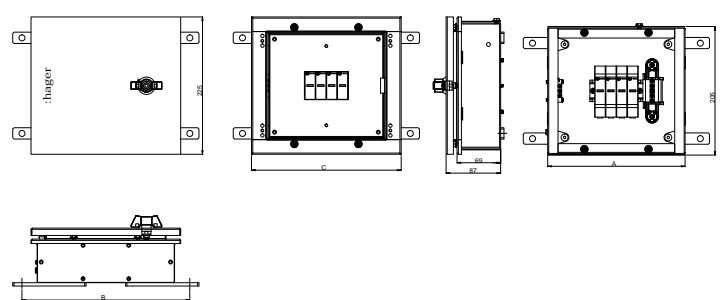
Way	Cat No.	A	B	C	Top Bottom		Both Side
					25 K'out	25/32 K'out	25/32 K'out
4	VYS04D	225	175	245	1 No.	2 Nos.	1 No.
6	VYS06D	260	210	280	2 Nos.	2 Nos.	1 No.
8	VYS08D	295	245	315	2 Nos.	2 Nos.	1 No.
12	VYS12D	370	320	390	4 Nos.	2 Nos.	1 No.
16	VYS16D	460	410	480	5 Nos.	2 Nos.	1 No.
18	VYS18D	495	445	515	6 Nos.	2 Nos.	1 No.

IP43 - Double Door - Metal Door



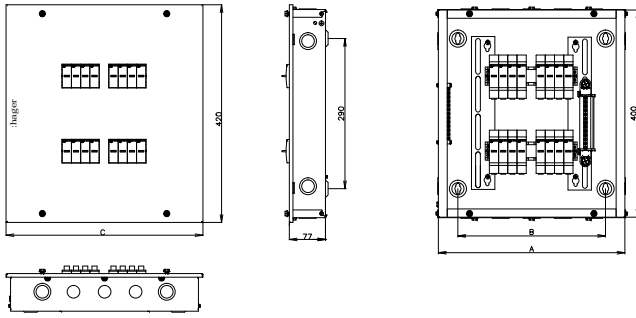
Way	Cat No.	A	B	C	Top Bottom		Both Side
					25 K'out	25/32 K'out	25/32 K'out
4	VYS04D	225	175	245	1 No.	2 Nos.	1 No.
6	VYS06D	260	210	280	2 Nos.	2 Nos.	1 No.
8	VYS08D	295	245	315	2 Nos.	2 Nos.	1 No.
12	VYS12D	370	320	390	4 Nos.	2 Nos.	1 No.
16	VYS16D	460	410	480	5 Nos.	2 Nos.	1 No.
18	VYS18D	495	445	515	6 Nos.	2 Nos.	1 No.

IP54 - Double Door - Metal Door



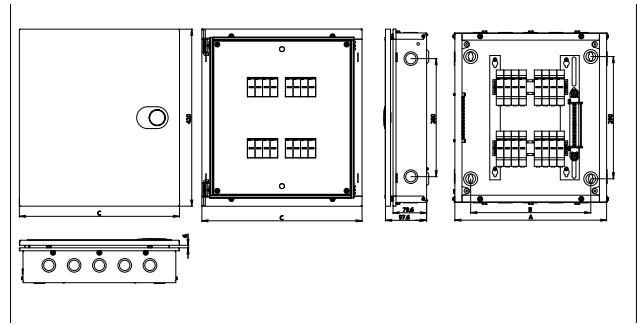
Way	Cat No.	A	B	C
4	VYS04P	225	275	245
6	VYS06P	260	310	280
8	VYS08P	295	345	315
12	VYS12P	370	410	390

### IP30 - Single Door (4M Incomer)



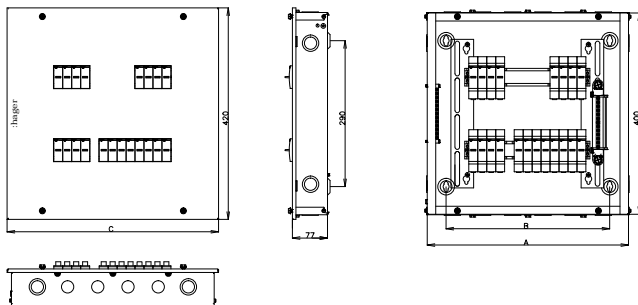
Way	Cat No.	A	B	C	Top Bottom		Both Side
					25 K'out	25/32 K'out	25/32 K'out
4	VYT04CD	360	285	380	3 Nos.	2 Nos.	4 Nos.
6	VYT06CD	400	325	420	4 Nos.	2 Nos.	4 Nos.

### IP43 - Double Door (4M Incomer)



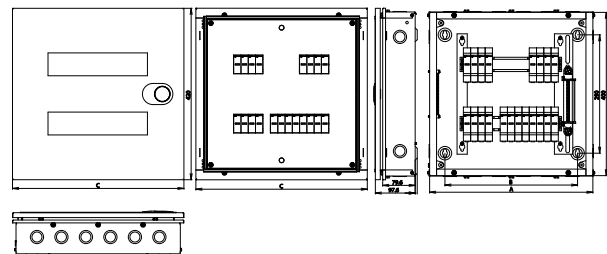
Way	Cat No.	A	B	C	Top Bottom		Both Side
					25 K'out	25/32 K'out	25/32 K'out
4	VYT04DD	360	285	380	3 Nos.	2 Nos.	4 Nos.
6	VYT06DD	400	325	420	4 Nos.	2 Nos.	4 Nos.

### IP30 - Single Door



Way	Cat No.	A	B	C	Top Bottom		Both Side
					25 K'out	25/32 K'out	25/32 K'out
4	VYT04CH	400	325	420	4 Nos.	2 Nos.	4 Nos.
6	VYT06CH	440	365	460	5 Nos.	2 Nos.	4 Nos.
8	VYT08CH	505	430	525	6 Nos.	2 Nos.	4 Nos.
12	VYT12CH	690	615	710	9 Nos.	2 Nos.	4 Nos.

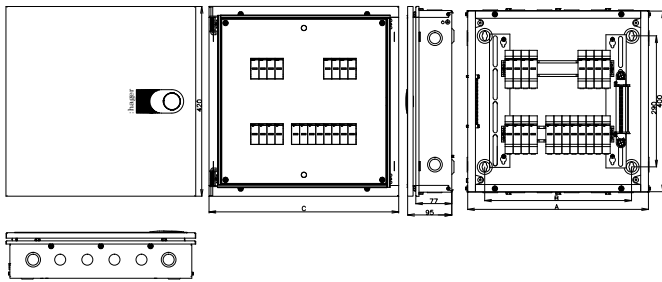
### IP43 - Acrylic Door



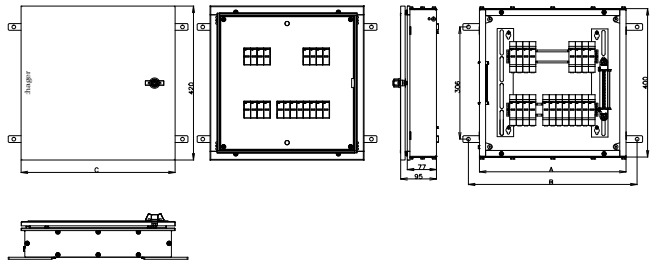
Way	Cat No.	A	B	C	Top Bottom		Both Side
					25 K'out	25/32 K'out	25/32 K'out
4	VYT04GH	400	325	420	4 Nos.	2 Nos.	4 Nos.
6	VYT06GH	440	365	460	5 Nos.	2 Nos.	4 Nos.
8	VYT08GH	505	430	525	6 Nos.	2 Nos.	4 Nos.

All dimensions are in mm

**IP43 - Double Door**



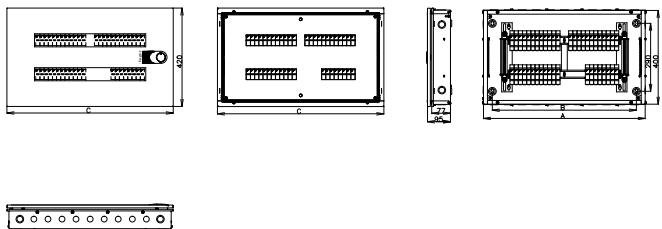
**IP54 - Double Door - Metal Door**



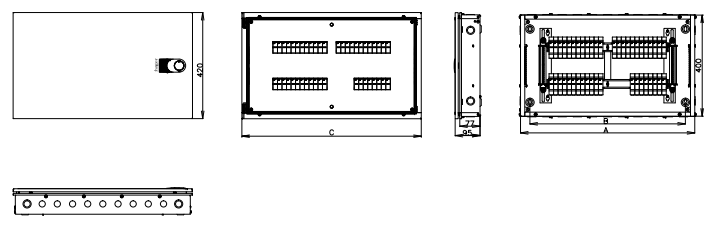
Way	Cat No.	A	B	C	Top Bottom		Both Side
					25 K'out	25/32 K'out	25/32 K'out
4	VYT04DH	400	325	420	4 Nos.	2 Nos.	4 Nos.
6	VYT06DH	440	365	460	5 Nos.	2 Nos.	4 Nos.
8	VYT08DH	505	430	525	6 Nos.	2 Nos.	4 Nos.

Way	Cat No.	A	B	C	Top Bottom		Both Side
					25 K'out	25/32 K'out	25/32 K'out
4	VYT04PH	400	460	420			
6	VYT06PH	440	500	460			
8	VYT08PH	505	565	525			

**IP43 - Acrylic Door - 12 & 16 way**



**IP43 - Double Door - 12 & 16 way**

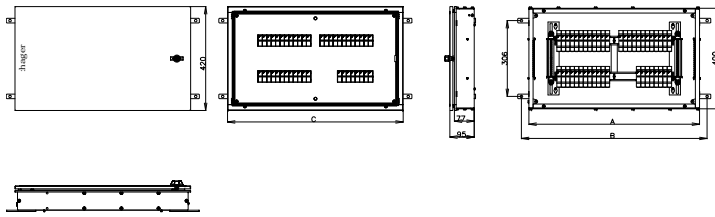


Way	Cat No.	A	B	C	Top Bottom		Both Side
					25 K'out	25/32 K'out	25/32 K'out
12	VYT12GH	690	615	710	9 Nos.	2 Nos.	4 Nos.
16	VYT16GH	835	755	855	5 Nos.	2 Nos.	4 Nos.

Way	Cat No.	A	B	C	Top Bottom		Both Side
					25 K'out	25/32 K'out	25/32 K'out
12	VYT12DH	690	615	710	9 Nos.	2 Nos.	4 Nos.
16	VYT16DH	835	755	855	11 Nos.	2 Nos.	4 Nos.

All dimensions are in mm

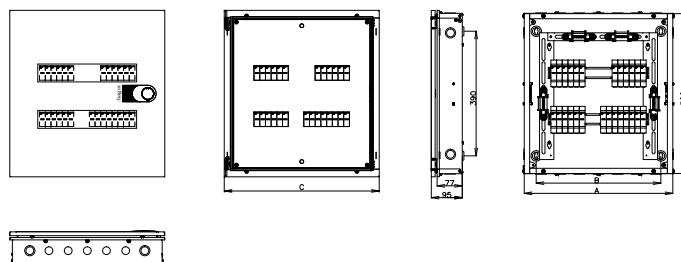
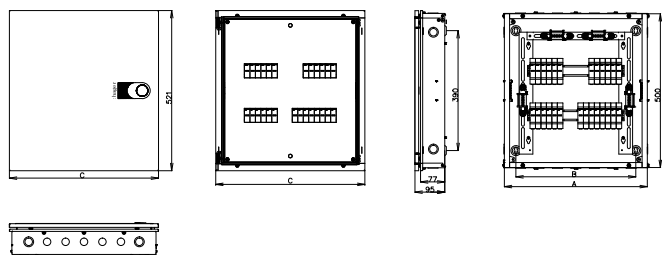
### IP54 TPN 12&16 way DB



Way	Cat No.	A	B	C
12	VYT12PH	690	750	710

IP43 - Double Door

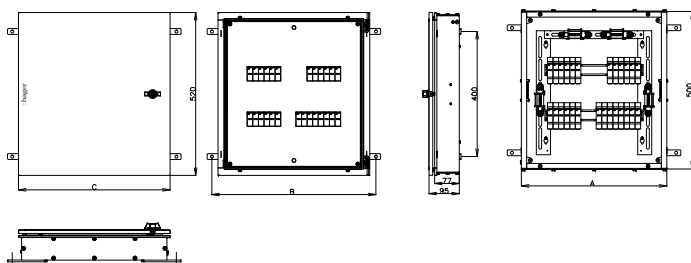
IP43 - Acrylic Door



Way	Cat No.	A	B	C	Top Bottom		Both Side
					25 K'out	25 / 32 K'out	25 / 32 K'out
4	VYH04DH	465	390	485	5 Nos.	2 Nos.	4 Nos.
6	VYH06DH	500	425	520	6 Nos.	2 Nos.	4 Nos.
8	VYH08DH	570	495	590	7 Nos.	2 Nos.	4 Nos.
12	VYH12DH	760	685	780	10 Nos.	2 Nos.	4 Nos.

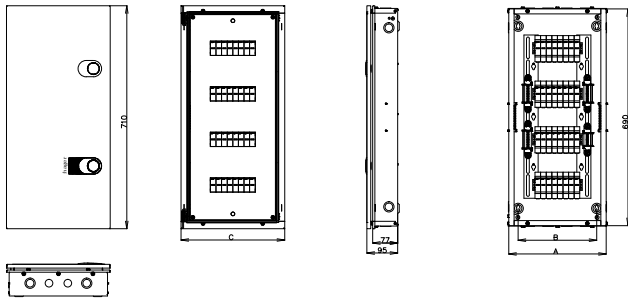
Way	Cat No.	A	B	C	Top Bottom		Both Side
					25 K'out	25/32 K'out	25/32 K'out
4	VYH04GH	465	390	485	5 Nos.	2 Nos.	4 Nos.
6	VYH06GH	500	425	520	6 Nos.	2 Nos.	4 Nos.
8	VYH08GH	570	495	590	7 Nos.	2 Nos.	4 Nos.
12	VYH12GH	760	685	780	10 Nos.	2 Nos.	4 Nos.

IP54 - Double Door - Metal Door

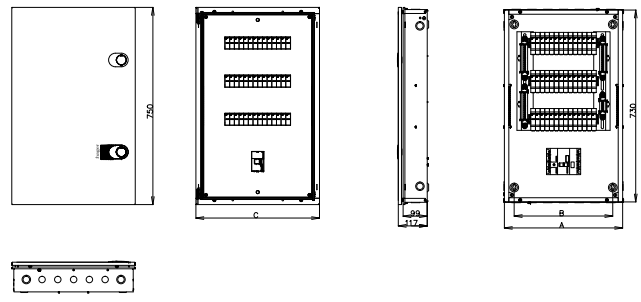


Way	Cat No.	A	B	C
4	VYH04PH	465	525	485
6	VYH06PH	500	560	520
8	VYH08PH	570	630	590
12	VYH12PH	760	820	780

### IP43 - Double Door



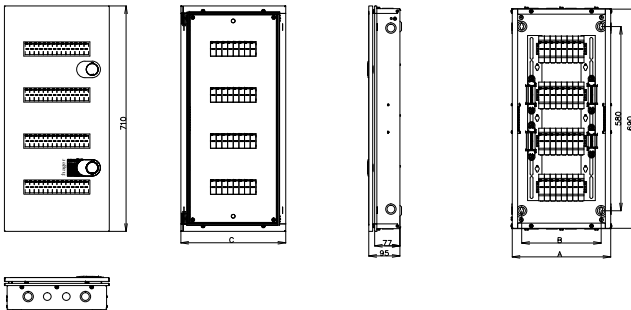
### IP54 - Double Door



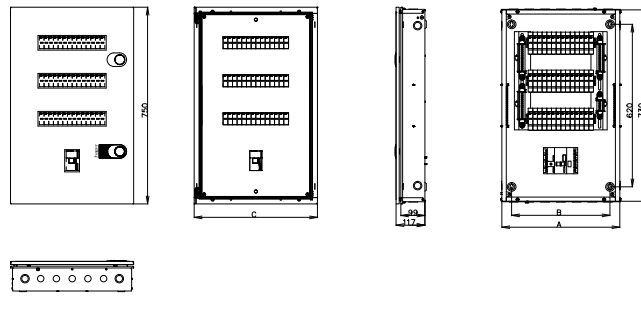
Way	Cat No.	A	B	C	Top Bottom		Both Side
					25 K'out	25/32 K'out	25/32 K'out
6+2	VYP06DH	310	250	330	2 Nos.	2 Nos.	4 Nos.
8+2	VYP08DH	365	305	385	3 Nos.	2 Nos.	4 Nos.
10+2	VYP10DH	430	370	450	4 Nos.	2 Nos.	4 Nos.
12+2	VYP12DH	450	390	470	5 Nos.	2 Nos.	4 Nos.
16+2	VYP16DH	550	490	570	6 Nos.	2 Nos.	4 Nos.

Way	Cat No.	A	B	C	Top Bottom		Both Side
					25 K'out	25/32 K'out	25/32 K'out
12+2	VYP12DM	450	375	470	5 Nos.	2 Nos.	4 Nos.

### IP43 - Double Door - Glazed Door



### IP43 - Double Door - 160 MCCB

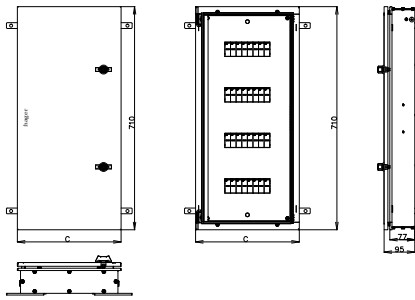


Way	Cat No.	A	B	C	Top Bottom		Both Side
					25 K'out	25/32 K'out	25/32 K'out
6	VYP06GH	310	250	330	2 Nos.	2 Nos.	4 Nos.
8	VYP08GH	365	305	385	3 Nos.	2 Nos.	4 Nos.
10	VYP10GH	430	370	450	4 Nos.	2 Nos.	4 Nos.
12	VYP12GH	450	390	470	5 Nos.	2 Nos.	4 Nos.
16	VYP16GH	550	490	570	6 Nos.	2 Nos.	4 Nos.

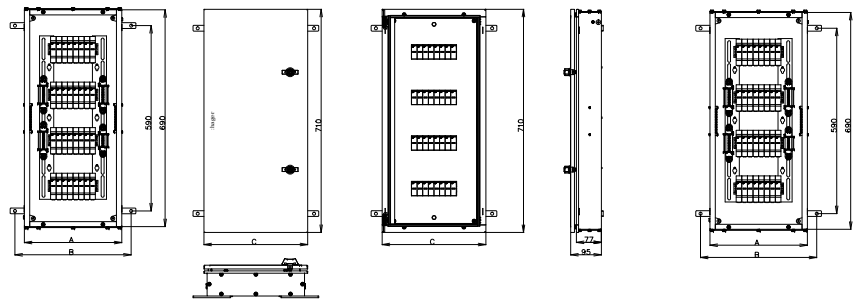
Way	Cat No.	A	B	C	Top Bottom		Both Side
					25 K'out	25/32 K'out	25/32 K'out
12+2	VYP12GM	450	375	470	5 Nos.	2 Nos.	4 Nos.

All dimensions are in mm

**IP54 Tier PPI DB**



**IP54 Tier PPI DB 160 MCCB**



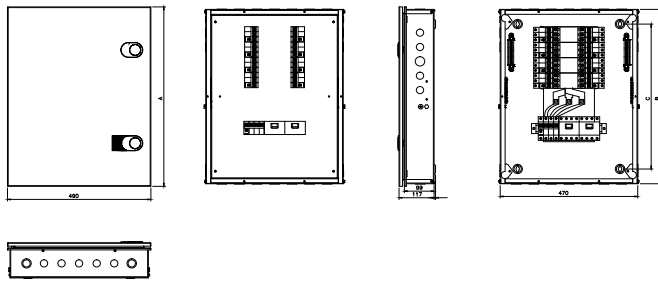
Way	Cat No.	A	B	C
6+2	VYP06PH	310	370	330
8+2	VYP08PH	365	425	385
12+2	VYP12PH	450	510	470

Way	Cat No.	A	B	C	Top Bottom		Both Side
					25 K'out	25/32 K'out	25/32 K'out
12+2	VYP12PM	450	510	470	5 Nos.	2 Nos.	4 Nos.

# Distribution boards

## VTPN DBs (Modular Incomer)

### IP43 - Double Door

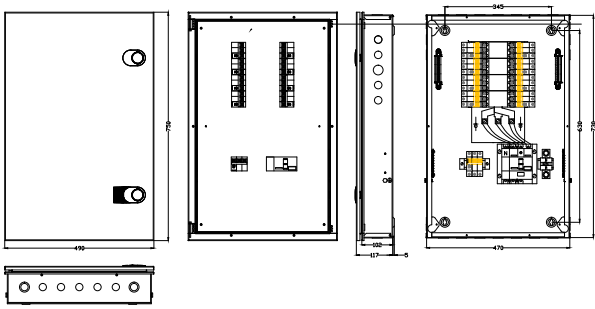


Way	Cat No.	A	B	C	Top Bottom		Both Side	
					25 K'out	25/32 K'out	25 K'out	32 K'out
4	VYV04DL-P	545	525	425	5 Nos.	2 Nos.	8 Nos.	2 Nos.
6	VYV06DL-P	682	662	562	5 Nos.	2 Nos.	8 Nos.	2 Nos.
8	VYV08DL-P	733	713	613	5 Nos.	2 Nos.	8 Nos.	2 Nos.
12	VYV12DL-P	841	821	721	5 Nos.	2 Nos.	8 Nos.	2 Nos.
16	VYV16DL-P	949	929	829	5 Nos.	2 Nos.	8 Nos.	2 Nos.

All dimensions are in mm

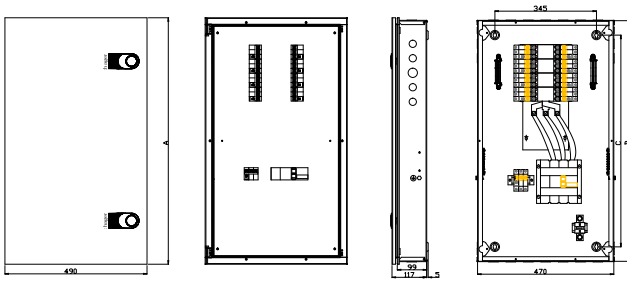


IP43 - 160A MCCB Double Door



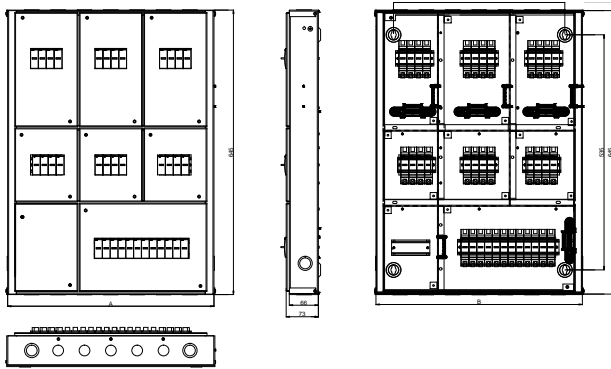
Way	Cat No.	A	B	C	Top Bottom		Both Side	
					25 K'out	32 K'out	25 K'out	32 K'out
4	VYV04DM-P	750	730	630	5 Nos.	2 Nos.	8 Nos.	2 Nos.
6	VYV06DM-P	804	784	684	5 Nos.	2 Nos.	8 Nos.	2 Nos.
8	VYV08DM-P	858	838	738	5 Nos.	2 Nos.	8 Nos.	2 Nos.
12	VYV12DM-P	966	946	846	5 Nos.	2 Nos.	8 Nos.	2 Nos.
16	VYV16DM-P	1074	1054	954	5 Nos.	2 Nos.	8 Nos.	2 Nos.

### IP43 - 250A MCCB Double Door

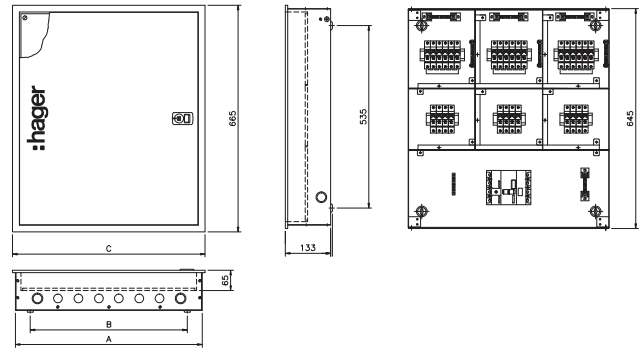


Way	Cat No.	A	B	C	Top Bottom		Both Side	
					25 K'out	32 K'out	25 K'out	32 K'out
4	VYV04DM2-P	850	830	730	5 Nos.	2 Nos.	8 Nos.	2 Nos.
6	VYV06DM2-P	904	884	784	5 Nos.	2 Nos.	8 Nos.	2 Nos.
8	VYV08DM2-P	958	938	838	5 Nos.	2 Nos.	8 Nos.	2 Nos.
12	VYV12DM2-P	1066	1046	946	5 Nos.	2 Nos.	8 Nos.	2 Nos.
16	VYV16DM2-P	1174	1154	1054	5 Nos.	2 Nos.	8 Nos.	2 Nos.

IP30 - Single Door



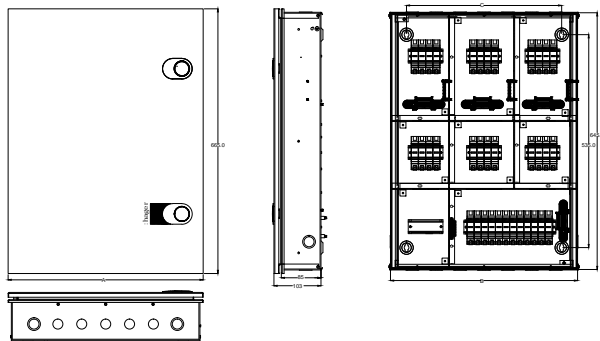
IP42 - Double Door - MCCB Incomer



Way	Cat No.	A	B	Top Bottom		Both Side
				25 K'out	25/32 K'out	25/32 K'out
4	VYG04CL	470	390	5 Nos.	2 Nos.	2 No.
6	VYG06CL	578	498	7 Nos.	2 Nos.	2 No.
8	VYG08CL	686	606	9 Nos.	2 Nos.	2 No.
12	VYG12CL	902	822	13 Nos.	2 Nos.	2 No.

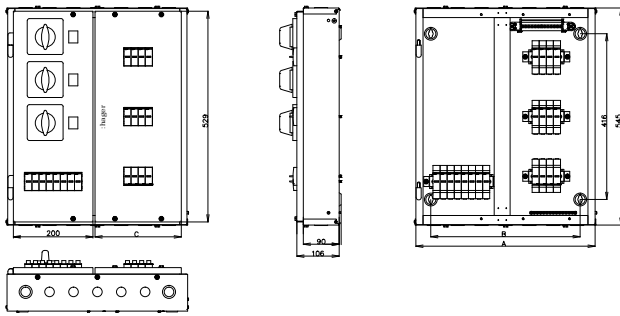
Way	Cat No.	A	B	C	Door	Top Bottom		
						25 K'out	25/32 K'out	25/32 K'out
4	VYG04DM	470	395	490	One Door	4 Nos.	2 Nos.	1 No.
6	VYG06DM	578	503	598	One Door	6 Nos.	2 Nos.	1 No.
8	VYG08DM	686	611	706	Two Door	8 Nos.	2 Nos.	1 No.
12	VYG12DM	902	827	922	Two Door	11 Nos.	2 Nos.	1 No.

IP42 - Double Door

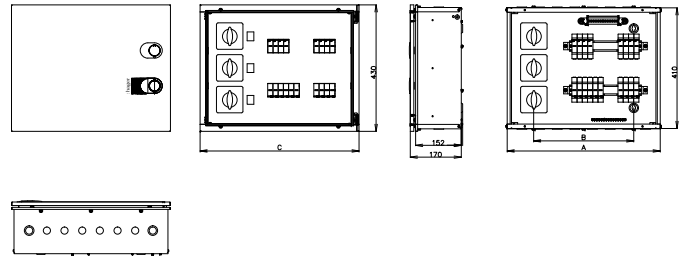


Way	Cat No.	A	B	C	Top Bottom		Both Side
					25 K'out	25/32 K'out	25/32 K'out
4	VYG04DL	490	470	390	5 Nos.	2 Nos.	2 No.
6	VYG06DL	598	578	498	7 Nos.	2 Nos.	2 No.
8	VYG08DL	706	686	606	9 Nos.	2 Nos.	2 No.
12	VYG12DL	922	902	822	13 Nos.	2 Nos.	2 No.

### IP30 - Single Door



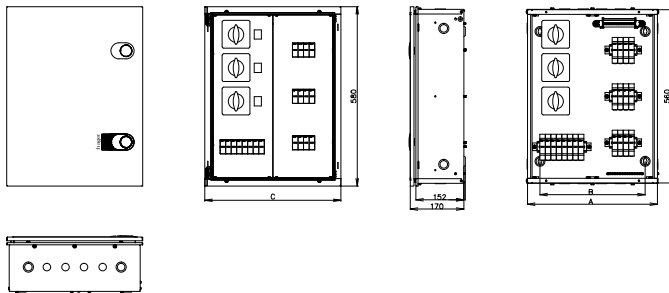
### IP42 - Double Door



Way	Cat No.	A	B	C	Top Bottom	
					25 K'out	25/32 K'out
4	VYC04CH	450	375	217	5 Nos.	2 Nos.
6	VYC06CH	485	410	252	5 Nos.	2 Nos.
8	VYC08CH	560	485	327	5 Nos.	2 Nos.
12	VYC12CH	700	625	467	6 Nos.	2 Nos.

Way	Cat No.	A	B	C	Top Bottom	
					25 K'out	32 K'out
4	VYC04DF	520	340	540	6 Nos.	2 Nos.

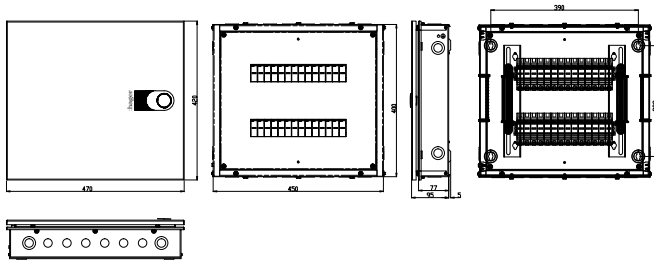
### IP42 - Double Door - Phase Selector DB



Way	Cat No.	A	B	C	Top Bottom		Both Side
					25 K'out	25/32 K'out	25/32 K'out
4	VYC04DH	420	340	440	4 Nos.	2 Nos.	4 Nos.
6	VYC06DH	455	375	475	5 Nos.	2 Nos.	4 Nos.
8	VYC08DH	490	410	510	5 Nos.	2 Nos.	4 Nos.
12	VYC12DH	560	480	580	6 Nos.	2 Nos.	4 Nos.

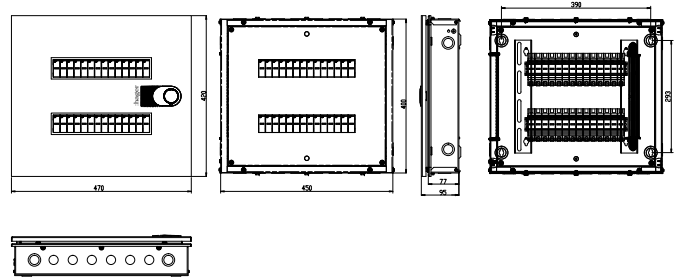
All dimensions are in mm

**IP43 - Double Door - 2 Tier DB**



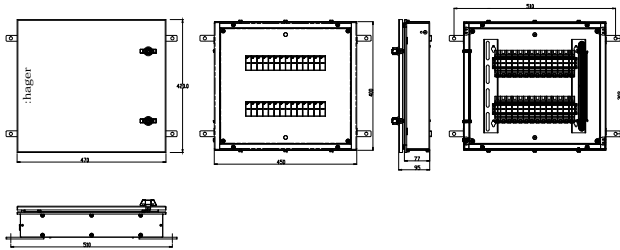
Way	Cat No.	A	B	C	Top Bottom		Both Side
					25 K'out	25/32 K'out	25/32 K'out
14	VYF214D	450	375	465	5 Nos.	2 Nos.	2 Nos.

**IP43 - Double Door - Acrylic Door - 2 Tier DB**



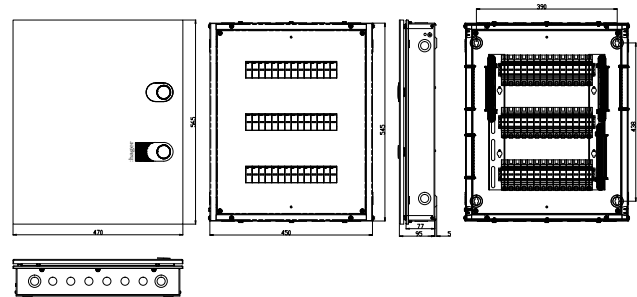
Way	Cat No.	A	B	C	Top Bottom		Both Side
					25 K'out	25/32 K'out	25/32 K'out
14	VYF214G	450	375	465	5 Nos.	2 Nos.	2 Nos.

**IP54 - Double Door - 2 Tier DB**



Way	Cat No.	A	B	C	Top Bottom		Both Side
					25 K'out	25/32 K'out	25/32 K'out
14	VYF214P	450	510	465	5 Nos.	2 Nos.	2 Nos.

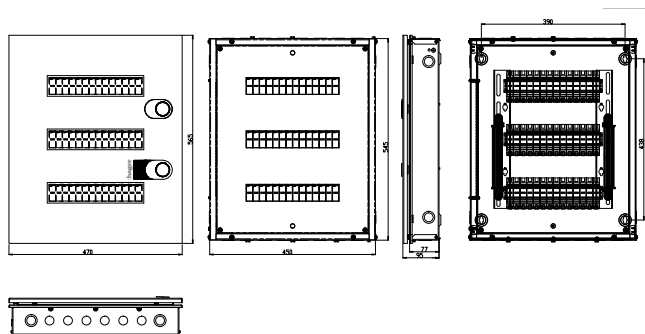
**IP43 - Double Door - 3 Tier DB**



Way	Cat No.	A	B	C	Top Bottom		Both Side
					25 K'out	25/32 K'out	25/32 K'out
14	VYF314D	450	375	465	5 Nos.	2 Nos.	2 Nos.

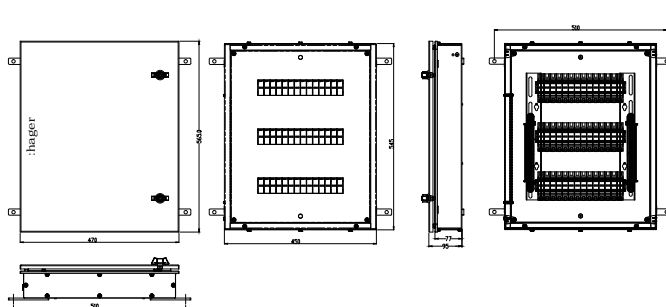
All dimensions are in mm

IP43 - Double Door - Acrylic Door - 3 Tier DB



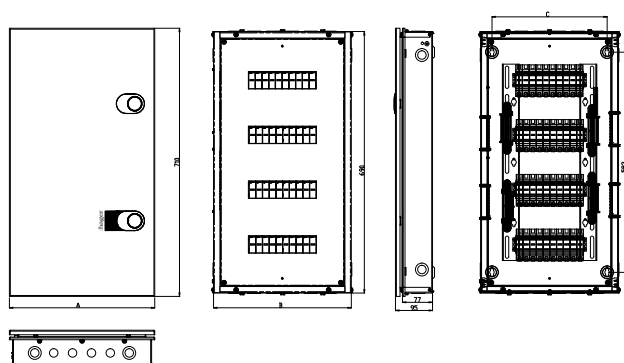
Way	Cat No.	A	B	C	Top Bottom		Both Side
					25 K'out	25/32 K'out	25/32 K'out
14	VYF314G	450	375	470	5 Nos.	2 Nos.	2 Nos.

IP54 - Double Door - 3 Tier DB



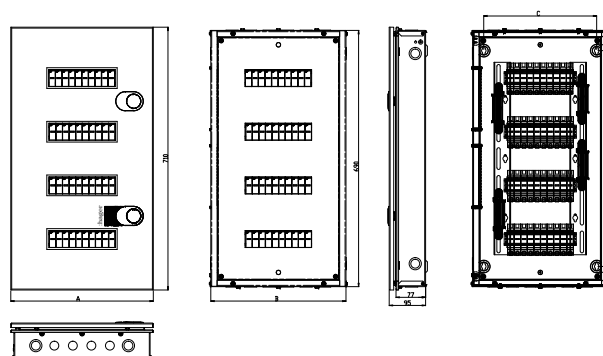
Way	Cat No.	A	B	C	Top Bottom		Both Side
					25 K'out	25/32 K'out	25/32 K'out
14	VYF314P	450	510	465	5 Nos.	2 Nos.	2 Nos.

IP43 - Double Door - 4 Tier DB



Way	Cat No.	A	B	C	Top Bottom		Both Side
					25 K'out	25/32 K'out	25/32 K'out
10	VYF410D	385	365	305	4 Nos.	2 Nos.	4 Nos.
14	VYF414D	470	450	390	6 Nos.	2 Nos.	4 Nos.
16	VYF416D	520	500	440	7 Nos.	2 Nos.	4 Nos.

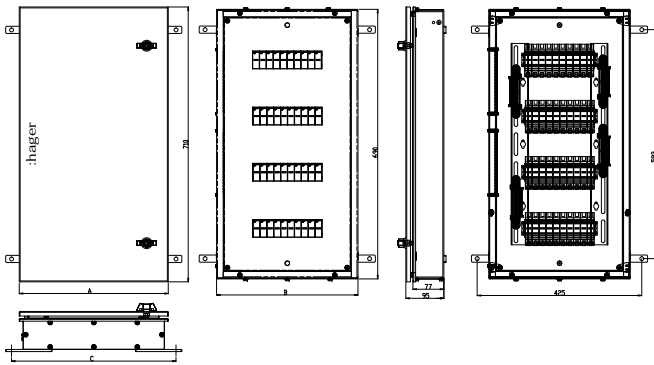
IP43 - Double Door - Acrylic Door - 4 Tier DB



Way	Cat No.	A	B	C	Top Bottom		Both Side
					25 K'out	25/32 K'out	25/32 K'out
10	VYF410G	385	365	305	4 Nos.	2 Nos.	4 Nos.
14	VYF414G	470	450	390	6 Nos.	2 Nos.	4 Nos.
16	VYF416G	520	500	440	7 Nos.	2 Nos.	4 Nos.

All dimensions are in mm

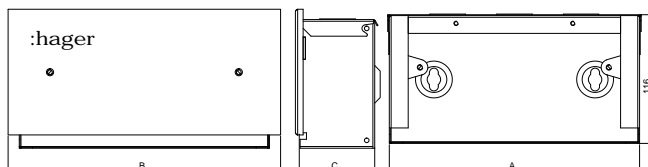
**IP54 - Double Door - 4 Tier DB**



Way	Cat No.	A	B	C
10	VYF410P	385	365	425
14	VYF414P	470	450	510
16	VYF416P	520	500	560

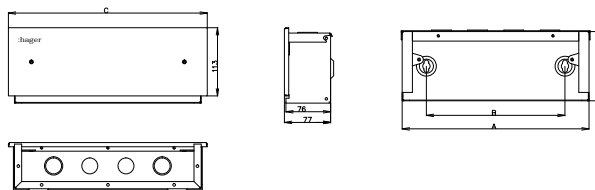
### For Double Door DB

#### IP30 - Cable End Box



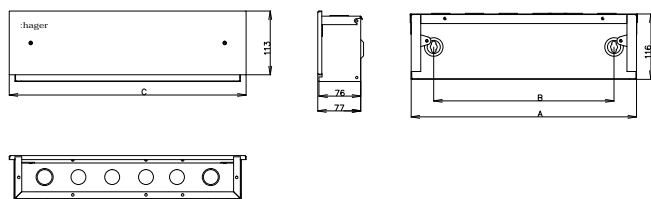
Cat No.	A	B	C
VYS04E	225	245	68
VYS06E	260	280	68
VYS08E	295	315	68
VYS12E	370	390	68
VYS16E	460	480	68
VYS18E	495	515	68

#### IP30 - Cable End Box



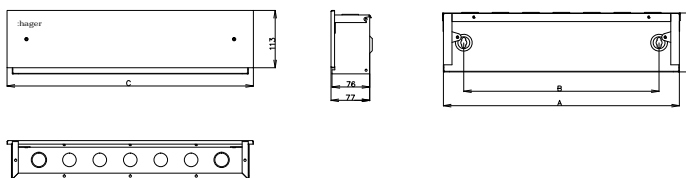
Cat No.	A	B	C
VYF414E	450	370	470
VYF416E	500	420	520

#### IP30 - Cable End Box



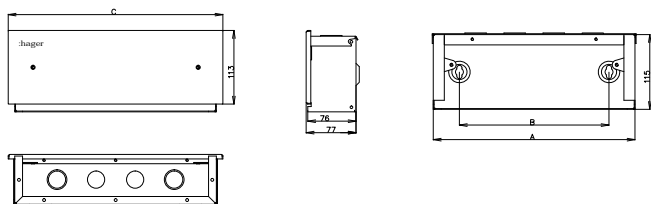
Cat No.	A	B	C
VYT04E	400	320	420
VYT06E	440	360	460
VYT08E	505	425	525
VYT12E	690	610	710
VYT16E	835	755	710

#### IP30 - Cable End Box



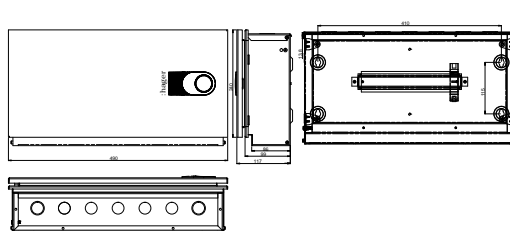
Cat No.	A	B	C
VYH04E	465	385	485
VYH06E	500	420	520
VYH08E	570	490	590
VYH12E	760	680	780

#### IP30 - Cable End Box



Cat No.	A	B	C
VYP04E	310	230	330
VYP08E	365	285	385
VYP10E	430	350	450
VYP12E	450	370	470

#### IP30 - Cable End Box

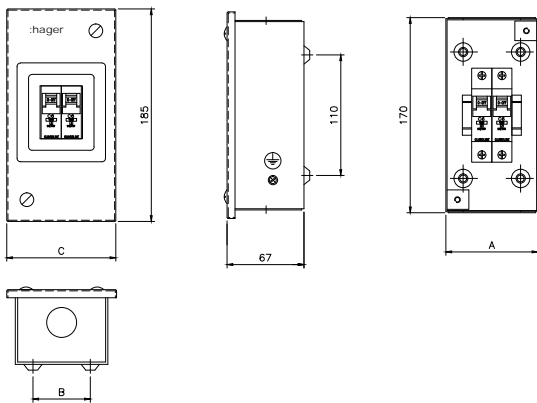


Cat No.	A	B	C
VYV00E	310	230	330

All dimensions are in mm

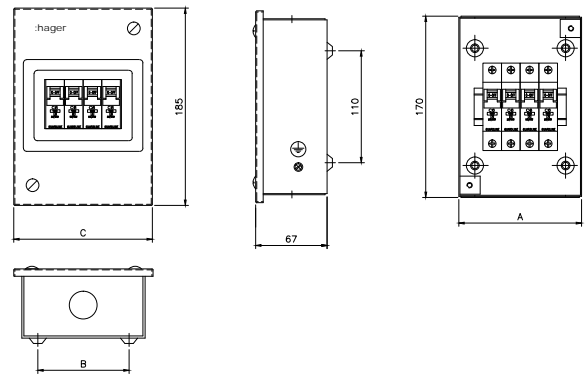


**IP30 2P Enclosure DB**



Way	Cat No.	A	B	C	Top Bottom
2	VYM02C	85	40	100	25 K'out 1 Nos.

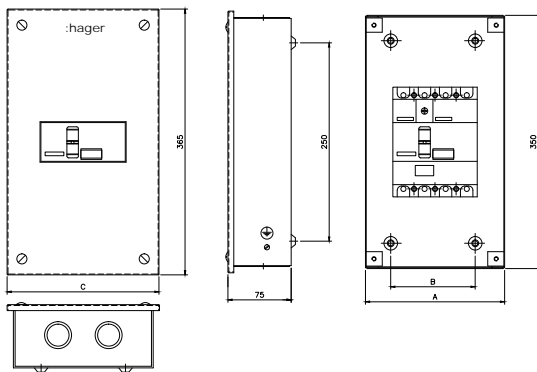
**IP30 4P, 6P, 8P Enclosure DB**



Way	Cat No.	A	B	C	Top Bottom
4	VYM04C	120	75	135	25 K'out 1 Nos.
6	VYM06C	155	110	170	25 K'out 2 Nos.
8	VYM08C	190	155	205	25 K'out 3 Nos.

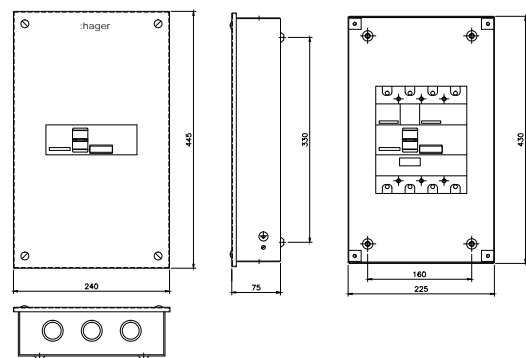
**novello<sup>+</sup>**  
**MCCB Enclosures**

**IP30 - 160A MCCB Enclosure**



Way	Cat No.	A	B	C	Top Bottom
2	VYM160HM	165	100	180	25 / 32 K'out 2 Nos.

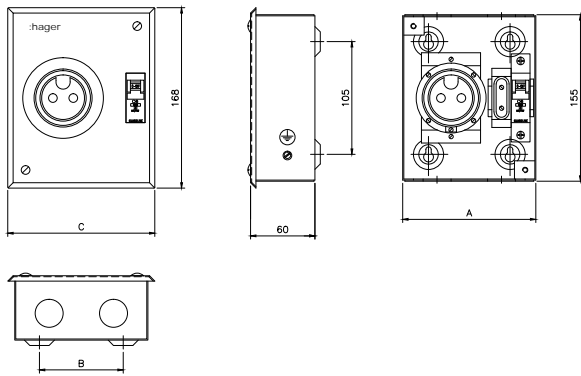
**IP30 - 250A MCCB Enclosure**



Way	Cat No.	A	B	C	Top Bottom
2	VYM250HM	225	160	240	25 / 32 K'out 3 Nos.

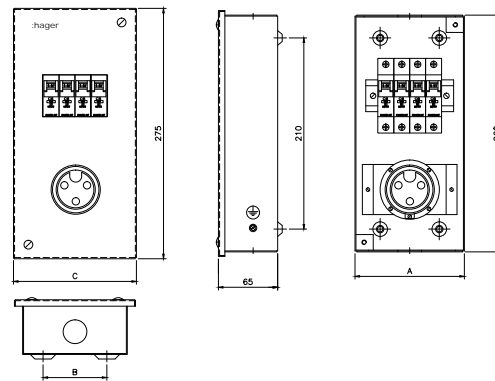
All dimensions are in mm

### 10&20A Plug & Socket DB



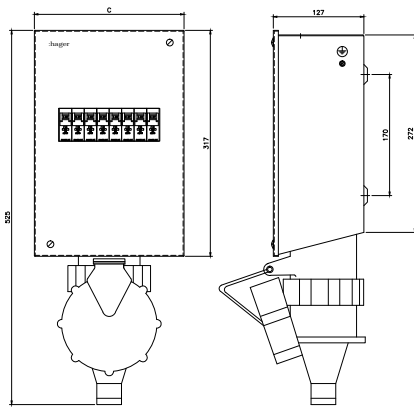
Way	Cat No.	A	B	C	Top Bottom
2	VYA110C / VYA120C / VYA220C	124	78	137	25 K'out 2 Nos.

### 20&30A TP P&S with FP MCB DB



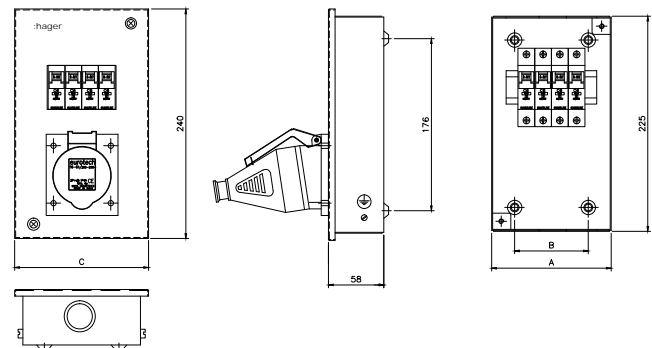
Way	Cat No.	A	B	C	Top Bottom
2	VYA420C / VYA432C	120	85	135	25 K'out 1 Nos.

### 63A 5 PIN P&S with 8P MCB DB



Way	Cat No.	A	B	C	Top Bottom
2	VYA863C	200	77	210	25/32 K'out 2 Nos.

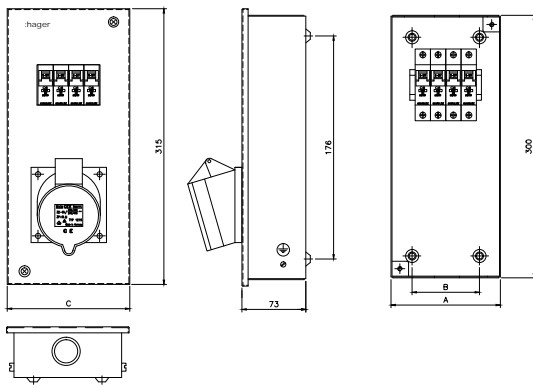
### 16 3P P&S with FP MCB DB



Way	Cat No.	A	B	C	Top Bottom
2	VYB416C	125	80	140	25 / 32 K'out 1 Nos.

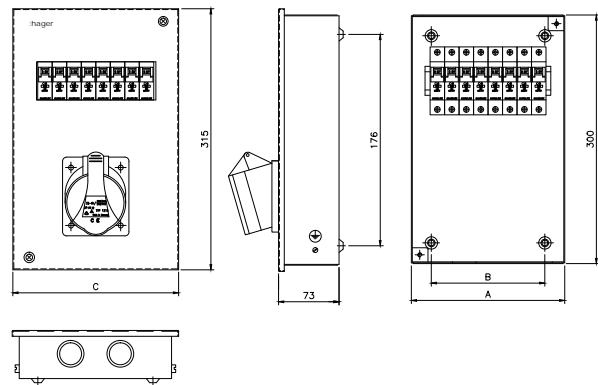
All dimensions are in mm

32A 3P P&S with FP MCB DB



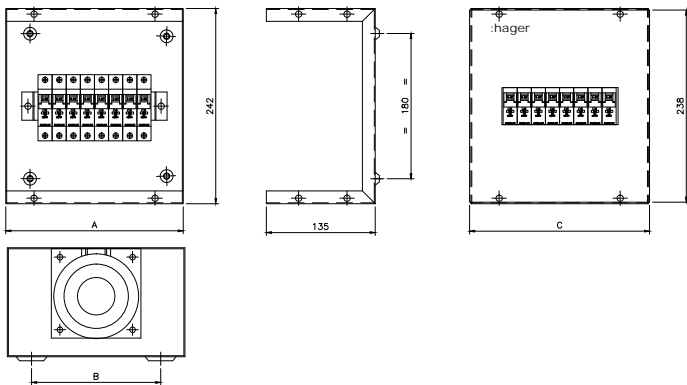
Way	Cat No.	A	B	C	Top Bottom
2	VYB432C	125	80	140	25 K'out 1 Nos.

32A 5P P&S with 8P MCB DB



Way	Cat No.	A	B	C	Top Bottom
2	VYB832C	185	110	200	25 / 32 K'out 2 Nos.

63A 5P P&S with 8P MCB DB



Way	Cat No.	A	B	C	Top Bottom
2	VYB863C	220	160	223	25 / 32 K'out 1 Nos.

# novello<sup>+</sup> panel board system

The new novello<sup>+</sup> panel boards are professionally designed BS / IEC type tested factory assembled system that incorporates more cabling space and a powder coated rust-proof finish. The panel board is suitable for MCCBs as incomer and MCCBs as outgoing.



## Advantages for you:

---

- Professional alignment with spirit level
- Reusable & flexible cable management
- Better protection with unique door packaging
- Upgrade to lockable enclosures possible

## Technical data:

---

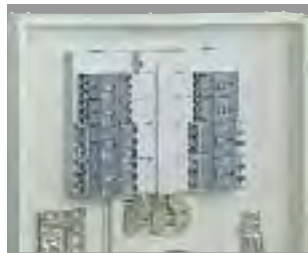
- Single Door: IP30 / Double Door: IP43 & IP54
- As per IS 8623 - III
- Protection against mechanical impact IK09
- Plain & Acrylic doors
- RAL 9010
- Standard Accessories:
  - Wires sets
  - Insulated bus bars
  - Insulated neutral bars & earth bar
  - blanking plates, Cable management system
  - Circuit identification labels

# Expert tips



**01**

ASTA certified insulated tinned copper bus bar assembly



**02**

Optimal cabling 2 space



**03**

Earth and neutral bars positioned for easier cabling



**04**

Ease of phase identification L1, L2, L3 mouldings show through when the front cover is fitted. Textured surface on bus bar assembly allows contractor to write circuit identification.

# novello<sup>+</sup> - 250A / 400A / 630A / 800A panel board system

upto 800A incoming, 125A / 250A outgoing



**Standards:**

- BS EN 60439 -1, IEC 60439-1
- Suitable for MCCBs & isolating switches incomers.
- Suitable for 3P MCCB incomer & 3P MCCB outgoing

**ASTA certified insulated tinned copper bus bar assembly:**

- 250A - Rated short circuit withstand capacity for bus bar 25kA at 415V for 0.3 sec.
- 400A - Rated short circuit withstand capacity for bus bar 35kA at 415V for 1 sec.
- 630A / 800A - Rated short circuit withstand capacity for bus bar 40kA at 415V for 0.3 sec.
- Sheet steel with epoxy powder coating RAL 9002
- IP41
- Accessories like key lock, Metering box, Cable End Box.



JN2B00008S16

Description	No. of ways 125A	Cat. Ref.
<b>250A panel board system</b>	4 way	<b>JN2B00004S16</b>
<b>3P, 250A (x250/ h250) MCCB</b>	6 way	<b>JN2B00006S16</b>
<b>incoming * and</b>	8 way	<b>JN2B00008S16</b>
<b>3P, 125A (x160 frame size)</b>	10 way	<b>JN2B00010S16</b>
<b>MCCB outgoing</b>	12 way	<b>JN2B00012S16</b>
	16 way	<b>JN2B00016S16</b>
<b>400A panel board system</b>	4 way	<b>JN4B00004S16</b>
<b>up to 3P, 400A (h400 frame)</b>	6 way	<b>JN4B00006S16</b>
<b>MCCB incoming #</b>	8 way	<b>JN4B00008S16</b>
<b>up to 3P, 125A (x160 frame size)</b>	10 way	<b>JN4B00010S16</b>
<b>MCCB outgoing</b>	12 way	<b>JN4B00012S16</b>
	16 way	<b>JN4B00016S16</b>



JN8B00008S16

Description	No. of ways 125A	No. of ways 125A	Cat. Ref.
<b>630A/ 800A panel board system</b>	/	4 way	<b>JN8B00004S16</b>
<b>up to 3P, 630A(h630 frame)/</b>	/	6 way	<b>JN8B00006S16</b>
<b>800A MCCB (h1000 frame)</b>	/	8 way	<b>JN8B00008S16</b>
<b>incoming ^</b>	/	10 way	<b>JN8B00010S16</b>
<b>up to 3P, 125A (x160) MCCB</b>	/	12 way	<b>JN8B00012S16</b>
<b>outgoings</b>	/	16 way	<b>JN8B00016S16</b>



JN8B00208S16

<b>630A/ 800A panel board system</b>	2 way	2 way	<b>JN8B00202S16</b>
<b>up to 3P, 630A (h630 frame)/</b>	2 way	4 way	<b>JN8B00204S16</b>
<b>800A MCCB (h1000 frame)</b>	2 way	6 way	<b>JN8B00206S16</b>
<b>incoming ^</b>	2 way	8 way	<b>JN8B00208S16</b>
<b>up to 3P, 250A (x250 frame size)</b>	2 way	10 way	<b>JN8B00210S16</b>
<b>MCCB outgoing and</b>	2 way	14 way	<b>JN8B00214S16</b>
<b>up to 3P, 125A (x160 frame size)</b>			
<b>MCCB outgoing</b>			

**Note:** Link kits are not supplied with standard enclosures, the same to be ordered separately

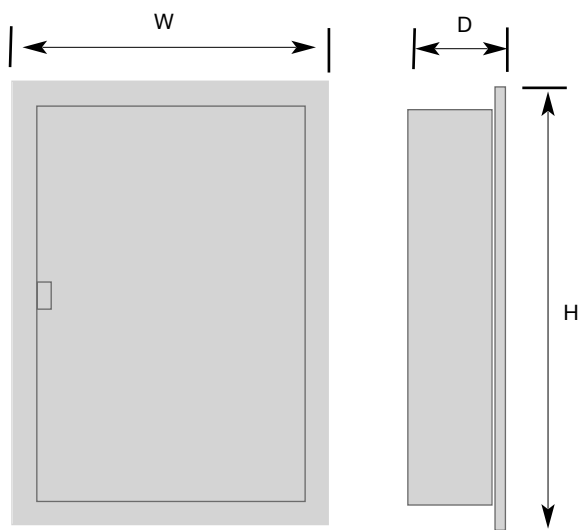
\*Incomer suitable for 3P h250 frame thermal magnetic MCCB

#Incomer suitable for 3P h400 frame thermal magnetic MCCB

^Incomer suitable for 3P h630 / h1000 frame thermal magnetic MCCB

Description	Cat. Ref.
<b>Incomer kits (Includes mounting plates for MCCB)</b>	
250A 3P MCCB incomer kit	JN2L2503MH6
400A 3P MCCB incomer kit	JN4L4003MH6
630A 3P MCCB incomer kit	JN8L6303MH6
800A 3P MCCB incomer kit	JN8L8003MH6
<b>Key lock for distribution boards</b>	
	JK1XKLS6
<b>250A Incoming, 125A Outgoing</b>	
Cable End Box	VYD00E2
<b>400A Incoming, 125A Outgoing</b>	
Cable End Box	VYD00E4
<b>630A / 800A Incoming, 125A / 250A Outgoing</b>	
Cable End Box	VYD00E6
<b>250A Metering box</b>	
Hinged door Metering Box*	VYD00M2
<b>400A Metering box</b>	
Hinged door Metering Box*	VYD00M4
<b>630A / 800A Metering box</b>	
Hinged door Metering Box*	VYD00M6

\*Metering box are excluding accessories



250A

Reference			
Surface mounted	H	W	D
JN2B00002S16	700	615	160
JN2B00004S16	775	615	160
JN2B00006S16	855	615	160
JN2B00008S16	925	615	160
JN2B00010S16	1000	615	160
JN2B00012S16	1115	615	160
JN2B00016S16	1375	615	160

400A

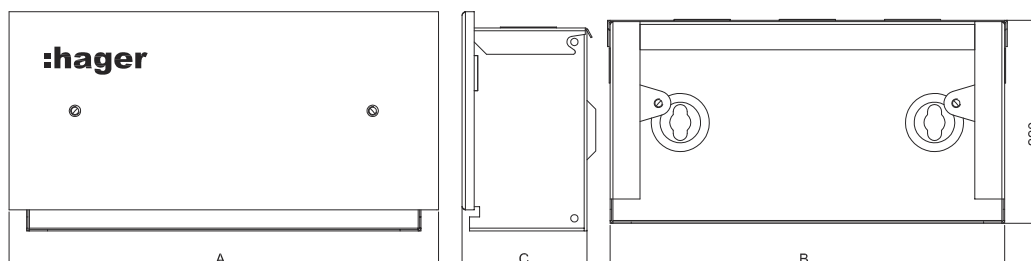
Reference			
Surface mounted	H	W	D
JN4B00004S16	930	690	200
JN4B00006S16	1005	690	200
JN4B00008S16	1080	690	200
JN4B00010S16	1230	690	200
JN4B00012S16	1380	690	200

630A / 800A

Reference			
Surface mounted	H	W	D
JN8B00004S16	1035	846	200
JN8B00006S16	1110	846	200
JN8B00008S16	1215	846	200
JN8B00010S16	1320	846	200
JN8B00012S16	1410	846	200
JN8B00016S16	1620	846	200

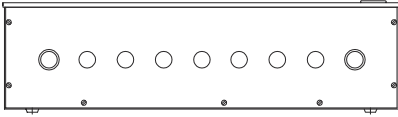
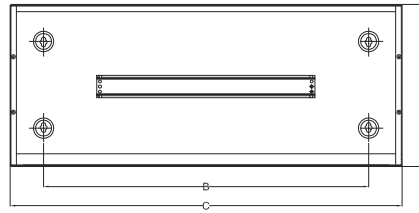
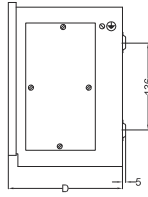
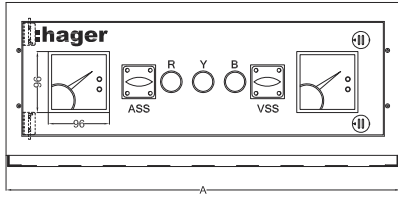
630A / 800A

Reference			
Surface mounted	H	W	D
JN8B00400S16	1095	846	200
JN8B00600S16	1200	846	200
JN8B00800S16	1305	846	200
JN8B01000S16	1410	846	200
JN8B01200S16	1515	846	200
JN8B01600S16	1725	846	200



	A	B	C
CEB 250A	615	609	160
CEB 400A	690	684	200
CEB 630A / 800A	846	840	200





	<b>A</b>	<b>B</b>	<b>C</b>	<b>D</b>
<b>Metering box* 250A</b>	615	510	609	160
<b>Metering box* 400A</b>	690	580	684	200
<b>Metering box* 630A / 800A</b>	846	736	840	200

\*Metering box are excluding accessories

# Enclosures

easier, safer and faster  
installations

golf range offers compact, sleek and light weight plastic enclosures for mounting of modular devices in residential & commercial applications. Golf enclosures are made up of insulated engineering plastic material in RAL 9010 color to match contemporary interiors of modern buildings. Vector range of weather proof enclosures (IP65) answers the need of electrical distribution in humid and dusty environments. These enclosures are equipped with special gasket to maintain high ingress protection (IP) to protect modular devices from harmful dust and moisture.



---

golf enclosures	62
-----------------	----

---

vector enclosures	68
-------------------	----

---

Bus bars and terminals	71
------------------------	----

# golf enclosures



## Advantages for you:

---

- Easy mounting - wall box can be turned 180° and has a removable cable entry slide
- More wiring space - between the modular devices and terminals as well as behind the DIN rails
- Clean and convenient wiring - thanks to patented integrated cable management system
- Unbreakable door hinges
- Same door for VS surface mounted version and VF flush mounted version
- Optimised conduit and trunking entries

## Technical data:

---

- Ingress Protection (IP) – IP40 with door
  - Insulation class - Class II (double insulation)
  - Impact resistance – IK07
  - Material – Flame retardant plastic
  - Colour – RAL 9010, white
-

# Expert tips



## 01

Easy and convenient cable management  
– clean and easy wiring using patented integrated cable management with standard cable-ties and clips



## 02

More cabling space makes the job quicker and easier  
– ease of installation thanks to a greater space for working and cabling between modular devices and terminals



## 03

Snapper mounted terminals – fast and hassle free installation of snapper mounted earth and neutral terminals. Can be mounted on top or bottom of the enclosures



## 04

Unbreakable door hinges  
– same door for flush and surface mounted enclosures  
– left or right opening reversible door installation



## 05

Self explanatory box  
– all product features are clearly indicated by illustrations in the box itself



## 06

Fast installation  
– 90° turn screws for securing front cover  
– built-in captive screws, cannot be lost

### Description

- Plastic enclosures for distribution of SPN & TPN supply in residential & commercial applications

### Technical data

- No of rows – 1, 2, 3 & 4 rows
- No. of modules – 4, 8, 12, 18, 24, 36 & 48 modules
- Mounting – Surface / flush mounting
- IP category – IP40 for double door
- Impact resistance – IK07
- Material – Flame retardant engineering plastic
- Color – RAL 9010 (white)

### Features & benefits

- Integrated cable management for easy wiring management
- Snapper mounted PE-N terminals
- Reversible door, can be changed at site
- Choice of plain or transparent door
- More space between & behind DIN rails for easy wiring
- Removable front plate & gland plates
- 90° turn captive screws for fast installation
- Pre-punched knockouts for conduit & cable trunking entry

IP40

IK 07

class II



IEC 60 695-2-1/0  
and 60 695-2-1/1



Description		Term. Qty.	Cat. Ref. Plain Door	Cat. Ref. Transparent Door
<b>Flush Mounting</b>				
1 row 4 module	N: 2x16 + 2x10 E: 2x16 + 2x10	1 1	<b>VF104PJ</b>	<b>VF104TJ</b>
1 row 8 module	N: 2x16 + 4x10 E: 2x16 + 4x10	1 1	<b>VF108PJ</b>	<b>VF108TJ</b>
1 row 12 module	N: 4x16 + 6x10 E: 4x16 + 6x10	1 1	<b>VF112PJ</b>	<b>VF112TJ</b>
1 row 18 module	N: 6x16 + 8x10 E: 6x16 + 8x10	1 1	<b>VF118PJ</b>	<b>VF118TJ</b>
2 row 24 module	N: 5x16 + 6x10 E: 9x16 + 13x10	2 1	<b>VF212PJ</b>	<b>VF212TJ</b>
2 row 36 module	N: 5x16 + 6x10 E: 9x16 + 13x10	1 1	<b>VF218PJ</b>	<b>VF218TJ</b>
3 row 36 module	N: 1x25 + 7x16 + 8x10 E: 1x25 + 14x16 + 17x10	2 1	<b>VF312PJ</b>	<b>VF312TJ</b>
4 row 48 module	N: 1x25 + 6x16 + 7x10 E: 1x25 + 10x16 + 13x10	2 2	<b>VF412PJ</b>	<b>VF412TJ</b>
<b>Surface Mounting</b>				
1 row 4 module	N: 2x16 + 2x10 E: 2x16 + 2x10	1 1	<b>VS104PJ</b>	<b>VS104TJ</b>
1 row 8 module	N: 2x16 + 4x10 E: 2x16 + 4x10	1 1	<b>VS108PJ</b>	<b>VS108TJ</b>
1 row 12 module	N: 4x16 + 6x10 E: 4x16 + 6x10	1 1	<b>VS112PJ</b>	<b>VS112TJ</b>
1 row 18 module	N: 6x16 + 8x10 E: 6x16 + 8x10	1 1	<b>VS118PJ</b>	<b>VS118TJ</b>
2 row 24 module	N: 5x16 + 6x10 E: 9x16 + 13x10	2 1	<b>VS212PJ</b>	<b>VS212TJ</b>
2 row 36 module	N: 5x16 + 6x10 E: 9x16 + 13x10	1 1	<b>VS218PJ</b>	<b>VS218TJ</b>
3 row 36 module	N: 1x25 + 7x16 + 8x10 E: 1x25 + 14x16 + 17x10	2 1	<b>VS312PJ</b>	<b>VS312TJ</b>
4 row 48 module	N: 1x25 + 6x16 + 7x10 E: 1x25 + 10x16 + 13x10	2 2	<b>VS412PJ</b>	<b>VS412TJ</b>
<b>Key Lock</b> (Optional)				<b>VZ794N</b>



VF312TJ



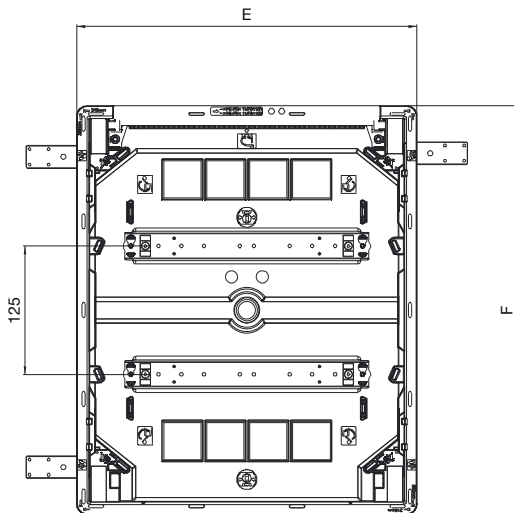
VS412PJ

**Cable entries**

**- top/bottom**

One side cable entry slide, knockout-type, (VF104... and VF108...).

The other side pre cuts with diameters 20 mm, 25 mm, 32 mm and 40 mm the wall box is 180° turnable (slider can be placed at top or bottom).

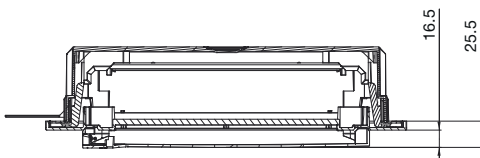
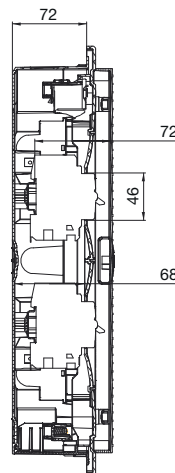
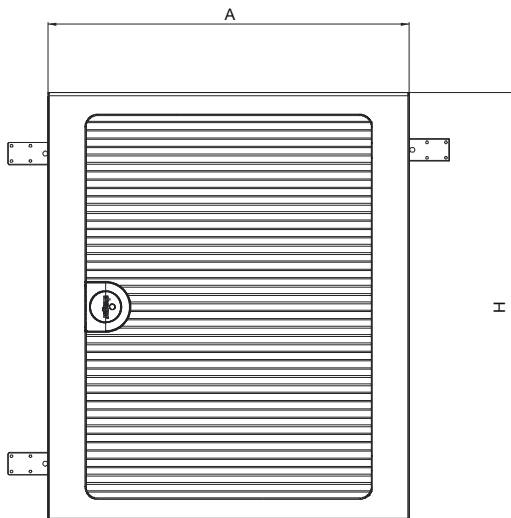


**- side**

Each side has one knockout of Ø 25 mm on the left and right in the upper and lower connection space.

As of 2 rows, knockouts Ø 25 mm on the left and right between the device rows. (no knockouts at 4 and 8 module enclosures).

Catalogue No.		Dimension (in mm)			
		Frame		Wall niche	
		A	H	E	F
VF104...	1 row 4	204	225	170	189
VF108...	1 row 8	275	225	242	189
VF112...	1 row 12	352	293	318	257
VF212...	2 row 12	352	418	318	382
VF312...	3 row 12	352	543	318	507
VF412...	4 row 12	352	688	318	652
VF118...	1 row 18	460	293	426	257
VF218...	2 row 18	460	418	426	382

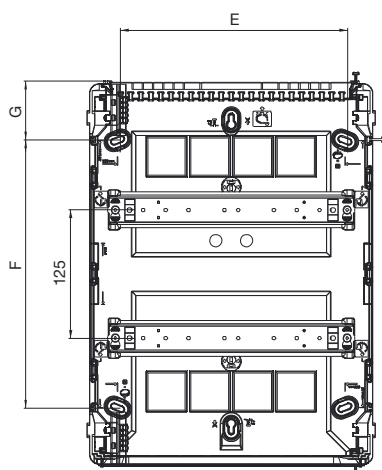


All dimensions are in mm

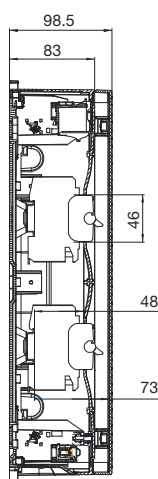
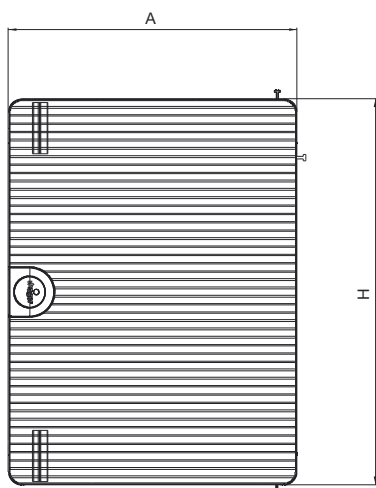
## Cable entries

### - top/bottom

One side cable entry optimised for use of trunking, knockout-type. The other side has pre-cuts with diameters 20 mm, 25 mm, 32 mm and 40 mm. The wall box is 180° turnable.



Catalogue No.		Dimension (in mm)		Wall fixation		
		A	H	E	F	G
VS104...	1 row 4	137.5	183.5	101	68	58
VS108...	1 row 8	209.5	183.5	173.5	68	58
VS112...	1 row 12	281.5	251.5	221.5	135.5	58
VS212...	2 row 12	281.5	376.5	221.5	260.5	58
VS312...	3 row 12	281.5	500	221.5	385.5	58
VS412...	4 row 12	281.5	646.5	221.5	491	78
VS118...	1 row 18	389.5	251.5	329.5	135.5	58
VS218...	2 row 18	389.5	376.5	329.5	260.5	58



All dimensions are in mm



# golf enclosures designed for you

golf range offers compact, sleek and light weight plastic enclosures for mounting of modular devices in residential & commercial applications. golf enclosures are made up of insulated engineering plastic material in RAL 9010 color to match contemporary interiors of modern buildings.



reddot design award  
winner 2010



# vector enclosures



## Advantages for you:

---

- Neoprene rubber gasket to maintain high IP level
- Supplied with cable glands, N & E terminals (Optional key lock)
- Transparent door to see status of modular devices without opening door

## Technical data:

---

- Conforms to IEC 60695-2-1
- Mounting - Surface mounting
- No. of rows - 1, 2, 3 & 4 rows
- No. of ways - 3 module to 54 modules
- Enclosure Ingress protection level - IP65
- Insulation class - Class II (double insulation)
- Impact resistant level - IK07 for < 12 mod  
IK08 for > 12 mod

# Expert tips



## 01

High ingress protection level  
– IP65 Enclosure  
– suitable for applications exposed to dust and moisture



## 02

Class II, double insulation  
– made up of insulated material  
– electric shock proof enclosures, added safety to user  
– no worry about paint peel off, rusting or enclosure earthing



## 03

Transparent door  
– allows to monitor status of devices installed inside



## 04

Versatile range  
– 3 to 54 modules capacity  
– choice of 1, 2, 3 & 4 rows



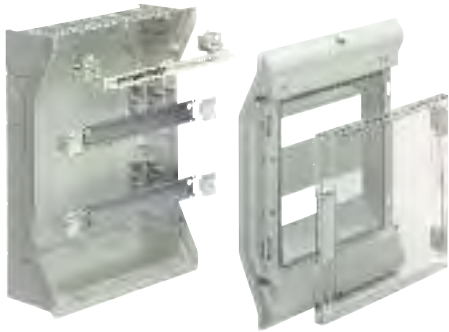
## 05

Quick and convenient installation  
– supplied with IP54 cable glands  
– includes neutral and earth terminals  
– pre-cut knockouts of various diameter for conduit entry



## 06

Fast installation  
– 90° turn screws for securing front cover  
– built-in captive screws, cannot be lost



VE212L

**Description**

- Surface mounted enclosures for distribution of electrical energy in dusty & humid environment

**Technical data**

- Conforms to IEC 60695-2-1
- Mounting - Surface mounting
- No. of rows - 1, 2, 3 & 4 rows
- No. of ways - 3 module to 54 modules
- Enclosure IP category - IP65
- Insulation class - Class II
- Impact resistant level - IK07 for < 12 mod & IK08 for > 12 mod enclosures

**Features & benefits**

- Neoprene rubber gasket maintains high IP levels
- Supplied with cable glands, earth & neutral terminals
- Transparent door to see status of modular devices

**IEC 60 695-2-1/0 and  
60 695-2-1/1**













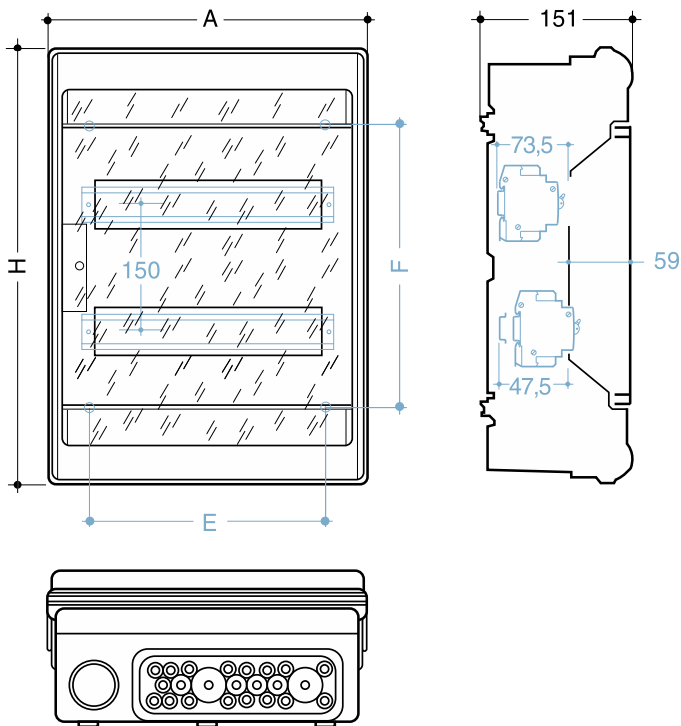
**IP65**

IK07 < 12  
IK08 > 12

**class II**



Description		Pack Qty.	Cat. ref. 1 terminal
 VE106L	<b>1 row 3 module</b> w. 111 x h. 175 x d. 93 mm	E : 2x16 + 2x10 N : 2x16 + 2x10 supplied with IP54 cable glands 3xM20	1 <b>VE103L</b>
VE106L	<b>1 row, 6 module</b> w. 165 x h. 190 x d. 113 mm	E : 3x16 + 4x10 N : 3x16 + 4x10 supplied with IP54 cable glands 2xM20+2xM25+1xM32	1 <b>VE106L</b>
 VE312L	<b>1 row, 10 module</b> w. 237 x h. 210 x d. 114 mm	E : 5x16 + 6x10 N : 5x16 + 6x10 supplied with IP54 cable glands 4xM20+2xM25+1xM32	1 <b>VE110L</b>
 VE312L	<b>1 row, 12 module</b> w. 310 x h. 302 x d. 151 mm	E : 1x25 + 5x16 + 7x10 N : 1x25 + 5x16 + 7x10 supplied with IP54 cable glands 10xM20+2xM25+1xM32	1 <b>VE112L</b>
 VE312L	<b>2 rows, 24 module</b> w. 310 x h. 427 x d. 151 mm	E : 1x25 + 7x16 + 9x10 N : 1x25 + 7x16 + 9x10 supplied with IP54 cable glands 14xM20+4xM25+1xM32	1 <b>VE212L</b>
 VE312L	<b>3 rows, 36 module</b> w. 310 x h. 552 x d. 151 mm	E : 1x25 + 10x16 + 11x10 N : 1x25 + 10x16 + 11x10 supplied with IP54 cable glands 14xM20+10xM25+2xM32	1 <b>VE312L</b>
 VE312L	<b>4 rows, 48 module</b> w. 310 x h. 677 x d. 151 mm	E : 1x25 + 11x16 + 13x10 N : 1x25 + 11x16 + 13x10 supplied with IP54 cable glands 14xM20+10xM25+2xM32	1 <b>VE412L</b>
 VE218L	<b>1 row, 18 module</b> w. 418 x h. 302 x d. 151 mm	E : 1x25 + 7x16 + 9x10 N : 1x25 + 7x16 + 9x10 supplied with IP54 cable glands 8xM20+10xM25+1xM32	1 <b>VE118L</b>
 VE218L	<b>2 rows, 36 module</b> w. 418 x h. 452 x d. 151 mm	E : 1x25 + 10x16 + 11x10 N : 1x25 + 10x16 + 11x10 supplied with IP54 cable glands 8xM20+14xM25+1xM32	1 <b>VE218L</b>
 VE218L	<b>3 rows, 54 module</b> w. 418 x h. 602 x d. 151 mm	E : 1x25 + 11x16 + 13x10 N : 1x25 + 11x16 + 13x10 supplied with IP54 cable glands 8xM20+18xM25+2xM32	1 <b>VE318L</b>
<b>Key lock</b> (Optional)	1	<b>VZ311</b>	

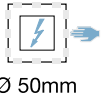
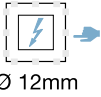
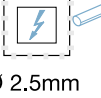
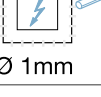
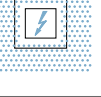
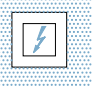


**Dimensions**


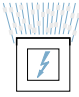
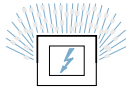

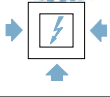
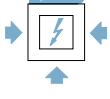
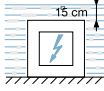
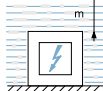
	<b>Rows</b>	<b>A</b>	<b>H</b>	<b>E</b>	<b>F</b>
VE103L / VE103PN	1	111	175	–	147
VE106L / VE106PN	1	165	190	108	158
VE110L / VE110PN	1	237	210	180	173
VE112L / VE112PN	1	310	302	230	155
VE212L / VE212PN	2	310	427	230	280
VE312L / VE312PN	3	310	552	230	405
VE412L / VE412PN	4	310	677	230	550
VE118L / VE118PN	1	418	302	338	155
VE218L / VE218PN	2	418	452	338	305
VE318L / VE318PN	3	418	602	338	455

The Ingress Protection (IP) for all low voltage enclosures up to 1000 V AC and 1500 V DC is defined in the standard IEC 60529. It comprises the letters IP followed by two digit (e.g. IPXX)

**First digit :**  
protection against solid substances

IP		Short Description
0		Non-protected
1		Protected against solid objects greater than 50mm
2		Protected against solid objects greater than 12mm
3		Protected against solid objects greater than 2.5mm
4		Protected against solid objects greater than 1mm
5		Dust-protected
6		Dust-tight

**Second digit :**  
protection against liquid substances

IP		Short Description
0		Non-protected
1		Protected against dripping water
2		Protected against dripping water at up to 15° from the vertical
3		Protected against spraying water at up to 60° from the vertical
4		Protected against splashing water from all directions
5		Protected against water jets
6		Protected against heavy seas
7		Protected against the effect of immersion
8		protected against submersion

### Prong type bus bars

For connecting modular MCBs of type ML

Brown - Phase

Blue - Neutral

### Fork type bus bars

For connecting modular MCBs of type NB, NC and ND

### Technical data

- Conforms to IEC 60947-7 / IEC 60439-1










- Material of bus bars: E-Cu 58 F25

- Operational voltage: 415V AC

- Material of insulation:

KB 163P - KB163N : epoxy

KDXXX : PVC

	Description	Prong Type			Cat. Ref.
		In(Amp.)	mm <sup>2</sup>	mod	
 KB163P	<b>1P Brown (phase)</b>	63	10	13	<b>KB163P</b>
	<b>Blue (neutral)</b>	63	10	13	<b>KB163N</b>
	<b>1P end caps</b> (for KB163P & KB163N)				<b>KZ021</b>
 KB163N					
 KZ021					
 KDN263A	<b>1P bus bar, 12 mod</b>	63	10	12	<b>KDN163A</b>
	<b>1P bus bar, 56 mod</b>	63	10	56	<b>KD163B</b>
	<b>1P end caps</b> (for KDN163A)				<b>KZN021</b>
 KDN363A	<b>2P bus bar, 12 mod</b>	63	10	12	<b>KDN263A</b>
	<b>2P bus bar, 56 mod</b>	63	10	56	<b>KD263B</b>
 KDN463A	<b>3P bus bar, 12 mod</b>	63	10	12	<b>KDN363A</b>
	<b>3P bus bar, 57 mod</b>	63	10	57	<b>KD363B</b>
	<b>3P end caps</b> (for KDN263A & KDN363A)				<b>KZN023</b>
 KM14N	<b>4P bus bar, 12 mod</b>	63	10	12	<b>KDN463A</b>
	<b>4P bus bar, 56 mod</b>	63	10	56	<b>KD463B</b>
	<b>4P end caps</b> (for KDN463A)				<b>KZN024</b>
 KF83D	<b>63A DIN rail mounting neutral link</b> 5x16° + 9x10°				<b>KM14N</b>
	<b>Terminal connector - 35 sq. mm</b>				<b>KF83D</b>
 PO31F	<b>Modular terminal block</b> 100A SP 1Module				<b>KR50U</b>
	<b>Blanking plates</b> Half module				<b>P031F</b>
	One module				<b>P032F</b>

# Protection & switching devices

reliable solutions for protecting people, installation and equipment

Hager protection devices set the industry standard for reliability, quality and performance. It is the mission of company to provide the highest quality products that clearly set themselves apart from the market. Hager range of modular protection devices comprises of over-current protection, residual





---

ACBs	74
MCCBs	82
Manual changeover switches	164
Automatic transfer switches	174
SPN ACCLs	189
ACCLs	191
Switch disconnectors	193
2 way centre-off changeover switches	193
MCBs	196
RCCBs	206
RCBOs	208
RCD add-on blocks	217
Accessories	220
Earth leakage relays	222
Surge protection devices	225
HRC fuse carriers	241
HRC cartridge fuses gG type	243

# High powered air circuit breakers hw

Air Circuit Breaker products get their name from the fact that their breaking chambers are in the open air to allow better energy dissipation. Their electrical and mechanical strength, breaking capacity, maintainability and accessories make them ideal for protection for low voltage installations.



## Advantages for you:

- High breaking capacity:  $I_{cu}=I_{cs}=I_{cw}(1s)$  upto 100kA
- Optimized and compact panel size: same height and depth
- Terminal connection flexibility: horizontal/vertical terminal easy to turn at 90°
- Quick and easy mounting of accessories
- OCR: integrated communication, remote reset, ZSI, Temperature alarm
- Reliable information: fault LED info keep 1 month, fault record
- Advanced protection: low load, unbalance voltage, reserve power, low/over voltage protection
- Advanced metering: ammeter, voltage, power, energy, demand...

## Technical data:

- Comply with IEC 60947-2
- Rated current range: 630-5000A with 3 frames
- Breaking capacity: 50, 65, 85,100kA
- Rated voltage: 690V
- Insulated voltage: 1000V
- Impulse voltage: 12KV
- Switch Disconnecter
- 3 kinds of OCR: Basic, Amp, Energy

# Expert tips



01

Intelligent OCR LSIGN protection, LCD display, pretrip alarm, fault recording, remote reset.  
Signal indication LED  
PTA/LSI/GF/COM



02

Flexible protection  
Can switch ON/OFF LSIGN and thermal memory separately



03

Fast and economic to build up communication network.  
Communication module integrated in OCR



04

Wide range of accessories  
Including: arc shield, phase barrier, temperature sensor, dust cover (IP54), ...



05

Easy maintenance  
Event record 200, fault record 250 (reserved for ever), OCR checker tool



06

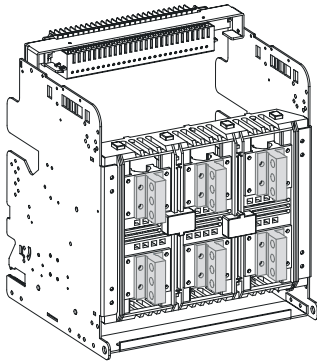
Flexible terminal connection  
Horizontal/Vertical terminal rotate at 90° to make it easier for panel builder to mount on busbars. For frame A up to 1600A and frame B up to 3200A.

## Flexible terminal connections

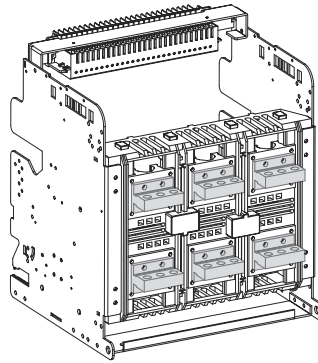
Connectors can be set horizontally and vertically, which allows an easy mounting by adapting their position to the busbars. Horizontal/vertical terminals rotate at 90° to make easier panel builder's convenience regarding busbar connection. <sup>1)</sup>

## Standard connection

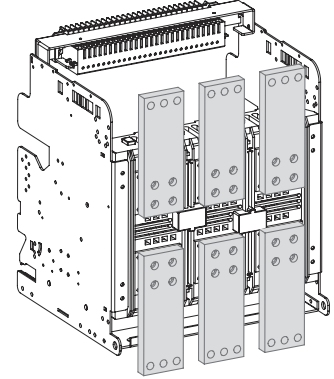
Vertical



Horizontal

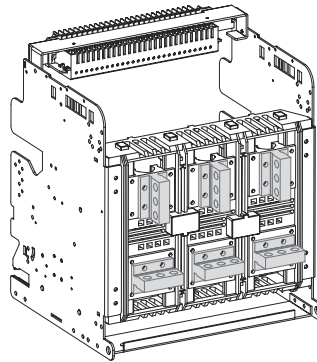


Front

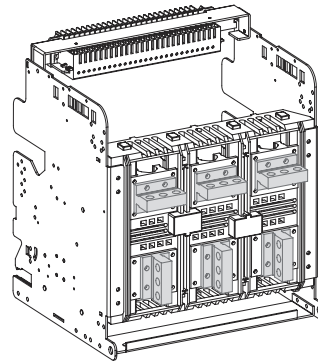


## Mixed connection (top / bottom)

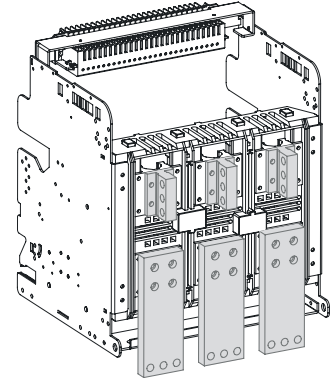
Vertical / horizontal



Horizontal / vertical



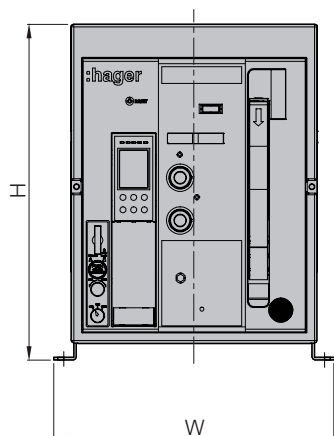
Vertical / front



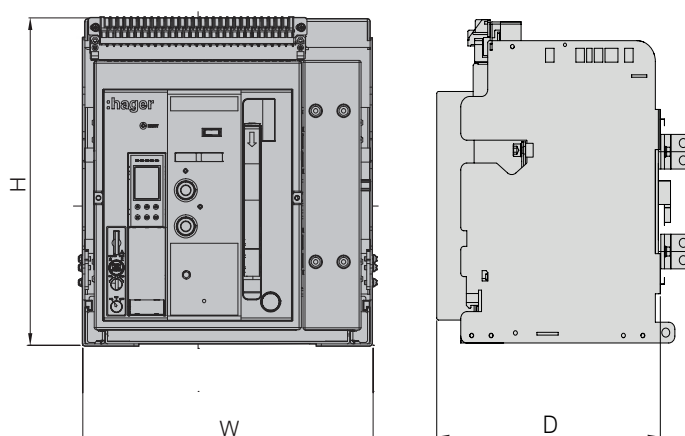
<sup>1)</sup> For frame A up to 1600A and frame B up to 3200A.

Frame			A		B			C	
Type			H	N	N	S	P	P	
Rated current	A		630-2000		630-4000			3200-5000	
Rated operating voltage (U <sub>e</sub> )	V		690						
Rated insulation voltage (U <sub>i</sub> )	V		1000						
Rated impulse withstand voltage (U <sub>imp</sub> )	KV		12						
Frequency	Hz		50/60						
Number of poles	poles		3-4						
Current setting range (...x I <sub>n</sub> max)	I <sub>r</sub>		0.4-1.0						
Rated current of neutral pole (...% x I <sub>n</sub> )	%I <sub>n</sub>		100%						
Rated breaking capacity (I <sub>cu</sub> )	AC 690/600/550V	KA	36	50	50	65	85	85	
	AC 415/380/220V		50	65	65	85	100	100	
Rated service breaking capacity (I <sub>cs</sub> )	AC 690/600/550V	KA	100% I <sub>cu</sub>						
	AC 415/380/220V								
Rated short-time capacity (I <sub>cw</sub> )	1s	KA	50	65	65	85	85	85	
	3s		36	36	50	55	65	65	
Rated making capacity (kA peak) (I <sub>cm</sub> )	AC 690/600/550V	KA	76	105	105	143	187	187	
	AC 415/380/220V		105	143	143	187	220	220	
Utilization category (according to IEC 60947-2)			B						
<b>Time</b>									
Maximum total breaking time	ms		40						
Closing operating time	motor charging time	s	10						
	max. closing time	ms	40						
<b>Operating cycle</b>									
Mechanical life cycle	without maintenance		20000		15000		10000		
	with maintenance		30000		20000		20000		
Electrical life cycle	without maintenance	times	5000		06-20: 10000		2000		
					25-40: 5000				
	with maintenance	10000		06-20: 15000		5000			
				25-40: 10000					
<b>Dimensions</b>									
External dimension (W x H x D, except busbar)	fixed type	3 pole	mm	337x404x296		408x404x296		633x404x296	
		4 pole		422x404x296		523x404x296		803x404x296	
	draw-out type	3 pole		328x460x368		399x460x368		624x460x368	
		4 pole		413x460x368		514x460x368		794x460x368	
Weight	fixed type	3 pole	kg	34		06-32: 44		76	
						40: 61			
	4 pole	44		06-32: 55		81			
				40: 81					
	draw-out type	3 pole		63		06-32: 87		145	
						40: 107			
4 pole		80		06-32: 130		173			
				40: 161					

**Fixed type**

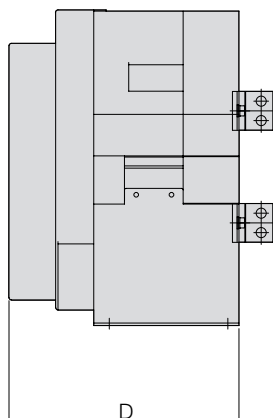
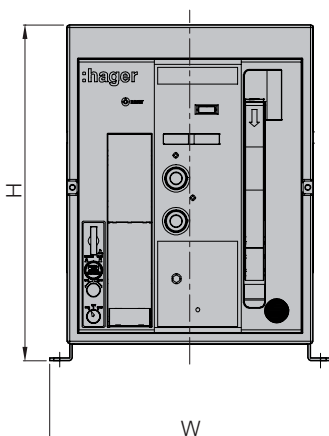


**Draw-out type**

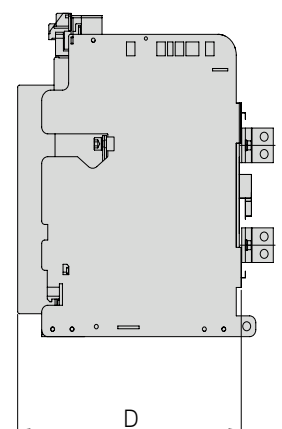
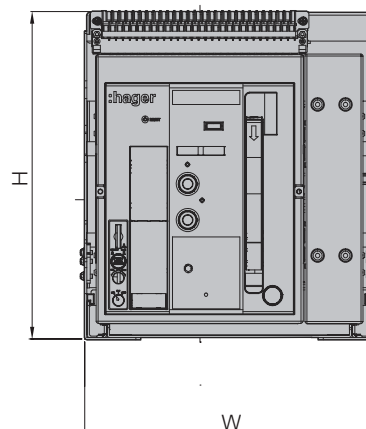


Frame			A	B	C	
Type			N....A	N....A	P....A	
Rated current	A		630-2000	630-4000	3200-5000	
Rated operating voltage (Ue)	V		690			
Rated insulation voltage (Ui)	V		1000			
Rated impulse withstand voltage (Uimp)	KV		12			
Frequency	Hz		50/60			
Number of poles	poles		3-4			
Rated current of neutral pole (...% x In)	%In		100%			
Rated short-time capacity (Icw)	1s	KA	65	65	85	
	3s		36	50	65	
Rated making capacity (kA peak) (Icm)	AC 690/600/550V	KA	105	105	187	
	AC 415/380/220V		143	143	220	
Utilization category (according to IEC 60947-3)			AC23			
<b>Time</b>						
Maximum total breaking time		ms	40			
Closing operating time	motor charging time	s	10			
	max. closing time	ms	40			
<b>Operating cycle</b>						
Mechanical life cycle	without maintenance	times	20000	15000	10000	
	with maintenance		30000	20000	20000	
Electrical life cycle	without maintenance		5000	06-20: 10000 25-40: 5000	2000	
	with maintenance		10000	06-20: 15000 25-40: 10000	5000	
<b>Dimensions</b>						
External dimension (W x H x D, except busbar)	fixed type	3 pole	mm	337x404x296	408x404x296	633x404x296
		4 pole		422x404x296	523x404x296	803x404x296
	draw-out type	3 pole		328x460x368	399x460x368	624x460x368
		4 pole		413x460x368	514x460x368	794x460x368
Weight	fixed type	3 pole	kg	34	06-32: 44 40: 61	76
		4 pole		44	06-32: 55 40: 81	81
	draw-out type	3 pole		63	06-32: 87 40: 107	145
		4 pole		80	06-32: 130 40: 161	173








**Fixed type**



**Draw-out type**



### Characteristics

Reference		HWX611	HWX612	HWX613	HWX621	HWX622	HWX623	HWX633
Type		LI	LSI	LSIG	LI Amp	LSI Amp	LSIG Amp	Energy
Frequency 50/60 Hz		•	•	•	•	•	•	•
OCR								
Power	externals	•	•	•	•	•	•	•
	self	•	•	•	•	•	•	•
Protection function	LTD	•	•	•	•	•	•	•
	STD	-	•	•	-	•	•	•
	INST	•	•	•	•	•	•	•
	PTA	-	-	-	•	•	•	•
	GFT	-	-	•	-	-	•	•
	neutral protection	•	•	•	•	•	•	•
	fail safe	•	•	•	•	•	•	•
	MCR	•	•	•	•	•	•	•
Indication	long time pick up LED	•	•	•	•	•	•	•
	fault LED	L, I	L, S/I	L, S/I, G	L, I PTA	L, S/I PTA	L, S/I, G PTA	L, S/I, G PTA
	LCD display, Amp and measurement	-	-	-	•	•	•	-
	LCD display, Amp, Energy, voltage, power, energy, demand and measurement	-	-	-	-	-	-	•
Digital output	separately continuous contact	• (2NO) L, I	• (2NO) L, S/I	• (3NO) L,S/I, G	• (3NO) L, I, PTA	• (3NO) L, S/I, PTA	• (4NO) L, S/I, G, PTA	• (4NO) L, S/I, G, PTA
ZSI		•	•	•	•	•	•	•
Reset button		•	•	•	•	•	•	•
Advanced functions	COM	-	-	-	•	•	•	•
	event / fault recording	-	-	-	•	•	•	•
	under/over voltage protection	-	-	-	-	-	-	•
	unbalanced current / voltage protection	-	-	-	-	-	-	•
	reverse power protection	-	-	-	-	-	-	•
	power P, Q, S, power factor, 3 phases voltage	-	-	-	-	-	-	•
	demand current / voltage	-	-	-	-	-	-	•

# h3 MCCBs and trip-free switches

## 16 to 1600 A

The new **h3** range of MCCBs provides safe and easy solutions for low voltage electrical circuits protection. The state of the art circuit breakers offer both designers and installers wide range of features and benefits. Special attention has been given to ergonomics, especially with the integration of these devices in novello+ distribution boards.



### Advantages for you:

- Easy to install
- Quick, easy and safety mounting of accessories
- Wide range of rated current ratings and breaking capacities
- Calibrated at 50 Deg centigrade
- Trip-free switches

### Technical data:

- Comply with IEC 60947-2
- 6 frame sizes: x160, x250, h250, h630, h1000, h1600
- Breaking capacity: 18, 25, 40, 50, 65, 70 kA
- Thermal magnetic and electronic trip units
- 3 pole and 4 poles
- Current limiting type
- Complete range of accessories
- International certification and approvals



# Expert tips



## 01

Design by Hager in harmony with Hager enclosures and modular products  
Breaking capacity:  
18 to 70kA,  
Icu 415V AC, covers all applications



## 02

Electronic trip unit (LSI) is permitting total selectivity and generator protection



## 03

Protected O/L setting with thermal adjustable upto 63%, Calibration at 50°C



## 04

Easy mounting of auxiliaries. Easy opening of secondary cover, clip-on type auxiliaries



## 05

Single quarter turn screw to open secondary cover / visibility of auxiliaries connected



## 06

Integrated padlocking facility, easy solution for maintenance



## 07

Complete range of accessories, rotary handles, padlocks, motor operator, terminal covers



## 08

Flexible connection  
Collar terminals, front and rear connections, straight connections, spreaders...

## Moulded case circuit breakers x160

### Available in 3P and 4P

Mechanical test button, lockable settings, integrated padlocking handle Ø 4mm, Thermal magnetic trip unit, 2 versions:

- Z version: fixed thermal and fixed magnetic
- U version: adjustable thermal and fixed magnetic

DIN rail adaptor available for DIN rail mounting

### Connection capacity

- 95 mm<sup>2</sup> rigid cables
- 70 mm<sup>2</sup> flexible cables collar terminals

Comply with IEC 60947-2

### Trip-free switches

Allows tripping at distance using a voltmetrical trip unit (optional) AC22/23A

Comply with IEC60947-3



HDA125Z

### MCCBs x160 18kA

Description	Rating In	Cat. Ref.	
		3P	4P
breaking capacity	16A	HDA016Z	HDA017Z
Ics : 18 kA (400/415 V AC)	20A	HDA020Z	HDA021Z
	25A	HDA025Z	HDA026Z
	32A	HDA032Z	HDA033Z
	40A	HDA040Z	HDA041Z
fixed thermal	40A	HDA040Z	HDA041Z
1x In	50A	HDA050Z	HDA051Z
fixed magnetic	63A	HDA063Z	HDA064Z
> 10 x In	80A	HDA080Z	HDA081Z
	100A	HDA100Z	HDA101Z
	125A	HDA125Z	HDA126Z
	160A	HDA160Z	HDA161Z
adjustable thermal	25A	HDA025U	HDA026U
0.63 - 0.8 - 1 x In	40A	HDA040U	HDA041U
fixed magnetic	63A	HDA063U	HDA064U
> 10 x In	80A	HDA080U	HDA081U
	100A	HDA100U	HDA101U
	125A	HDA125U	HDA126U
	160A	HDA160U	HDA161U



HDA161U

### MCCBs x160 25kA

Description	Rating In	Cat. Ref.	
		3P	4P
breaking capacity	16A	HHA016Z	HHA017Z
Ics : 20 kA (400/415 V AC)	20A	HHA020Z	HHA021Z
	25A	HHA025Z	HHA026Z
	32A	HHA032Z	HHA033Z
	40A	HHA040Z	HHA041Z
fixed thermal	40A	HHA040Z	HHA041Z
1x In	50A	HHA050Z	HHA051Z
fixed magnetic	63A	HHA063Z	HHA064Z
> 10 x In	80A	HHA080Z	HHA081Z
	100A	HHA100Z	HHA101Z
	125A	HHA125Z	HHA126Z
	160A	HHA160Z	HHA161Z
adjustable thermal	25A	HHA025U	HHA026U
0.63 - 0.8 - 1 x In	40A	HHA040U	HHA041U
fixed magnetic	63A	HHA063U	HHA064U
> 10 x In	80A	HHA080U	HHA081U
	100A	HHA100U	HHA101U
	125A	HHA125U	HHA126U
	160A	HHA160U	HHA161U

**Add-on blocks for x160 devices**

These devices are intended to be fixed on the right side of the devices.

**Type A  and HI**

For fault component pulsating current.

HI (High Immunity):

the products with "reinforced immunity" reduce the unexpected tripping when they protect equipment generating disturbances (micro-processing, electronic ballast...)

Fixed version: 300 mA sensitivity and instantaneous tripping

Adjustable version: adjustable sensitivity and tripping.

Test button for differential functioning check.

Mechanical test button

LED or at distance signal for tripping or advance warning (25-50%  $I_n$ ).

Assembly and disassembly facilitated by the drawer assembly system. The terminal cover is dependent of the add-on block.

**Connection capacity**

95 mm<sup>2</sup> rigid cables

70 mm<sup>2</sup> flexible cables

Comply with IEC 60947-2 annexe B.



HNA125Z

**MCCBs x160 40kA**

Description	Rating In	Cat. Ref.	
		3P	4P
adjustable thermal	25A	<b>HNA025U</b>	<b>HNA026U</b>
0.63 - 0.8 - 1 x $I_n$	40A	<b>HNA040U</b>	<b>HNA041U</b>
fixed magnetic	63A	<b>HNA063U</b>	<b>HNA064U</b>
> 10 x $I_n$	80A	<b>HNA080U</b>	<b>HNA081U</b>
	100A	<b>HNA100U</b>	<b>HNA101U</b>
	125A	<b>HNA125U</b>	<b>HNA126U</b>
	160A	<b>HNA160U</b>	<b>HNA161U</b>

**Trip-free switches x160**

Description	Rating In	Cat. Ref.	
		3P	4P
suitable for	125A	<b>HCA125Z</b>	<b>HCA126Z</b>
AC22A / AC 23A	160A	<b>HCA160Z</b>	<b>HCA161Z</b>

U<sub>e</sub>: 415 V AC

I<sub>ow</sub> (1s): 2 kA

**Add-on blocks**

Description	Rating In	Cat. Ref.	
		3P	4P
I <sub>n</sub> 300 mA	125 A	<b>HBA127H</b>	<b>HBA128H</b>
fixed sensitivity			
instantaneous tripping			
sensitivity I <sub>n</sub>	125A	<b>HBA125H</b>	<b>HBA126H</b>
adjustable:	160A	<b>HBA160H</b>	<b>HBA161H</b>
0.03 - 0.1 - 0.3 - 1 - 3 - 6A			

adjustable tripping:  
 - instantaneous  
 - time delay:  
 0.06 - 0.15 - 0.3 - 0.5 - 1s



HBA161H

## MCCBs and trip-free switches x160

### Indication contacts

- 1 changeover switch (ON/OFF):  
indicates the position of the MCCB is "open" or "close".
- 1 changeover alarm contact:  
indicates MCCB tripping.

### Coil connection

Connection capacity:  
0,75 mm<sup>2</sup> flexible or rigid cables  
Optional connection cables.  
The cable capacity of the terminals is 0.5 to 1.25 mm<sup>2</sup>.

### Shunt trip

Remotes tripping of MCCBs or trip-free switches. Operating voltage: 0.7 to 1.1 x Un

### Under voltage release



Allows the tripping of MCCBs or trip-free switches when voltage level drop between 35 and 70% of Un. Pick up voltage 0,85 x Un

### Direct rotary handle

- padlockable
- equipped with front cover and handle
- fixing without any additional screw

### Extended rotary handle

- IP 55
- supplied complete with shaft and handle

		<b>Auxiliary contacts</b>	
		Description	Rating In
			Cat. Ref.
	<b>AX</b>	1 changeover contact (ON/OFF) 250 V AC / 3A 125 V DC / 0,4A 1 NO + 1 NC	<b>HXA021H</b>
	<b>AL</b>	1 changeover alarm contact 250 V AC / 3A 125 V DC / 0,4A 1 NO + 1 NC	<b>HXA024H</b>
	<b>Shunt trips</b>		
		Description	Rating In
	<b>SH</b>	24 V DC	<b>HXA001H</b>
		200 - 240 V AC	<b>HXA004H</b>
		<b>Undervoltage releases UV</b>	
		Description	Rating In
	<b>Undervoltage releases UV</b>	24 V DC	<b>HXA011H</b>
		200 - 240 V AC	<b>HXA014H</b>
		380 - 450 V AC	<b>HXA015H</b>
		<b>Locking kit</b>	
		Description	Rating In
	<b>Locking kit</b>		<b>HXA035H</b>

HXA014H



HXA030H



HXA031H



HYA015H

**Auxiliary contacts**

Description	Characteristics	Cat. Ref. 3P	4P
<b>Direct rotary handle</b>	padlockable handle max Ø 6 mm	<b>HXA030H</b>	<b>HXA030H</b>
<b>Extended rotary handle</b>	padlockable handle max Ø 8 mm	<b>HXA031H</b>	<b>HXA031H</b>
<b>Extended connections</b>	set of 3 or 4 spreader connections	<b>HYA014H</b>	<b>HYA015H</b>
<b>Interphase barriers</b>	set of 3, height: 50 mm	<b>HYA019H</b>	<b>HYA019H</b>
	set of 3, height: 97 mm	<b>HYB019H</b>	<b>HYB019H</b>
<b>Din rail adaptor</b>		<b>HYA033H</b>	<b>HYA033H</b>

# MCCBs and trip-free switches x250

## Moulded case circuit breakers x250,

### Type of trip unit:

- U version: adjustable thermal and magnetic

3P and 4P

Mechanical test button, lockable settings, integrated padlocking handle Ø 4mm.  
Comply with IEC 60 947-2.

### Connection:

Directly on copper cable terminal, with end lug max. width: 25 mm  
Connection capacity: 185 mm<sup>2</sup> rigid cables

Comply with IEC 60947-2.  
Collar terminals

## Trip-free switches

Allows tripping at distance using a voltmetrical trip unit (optional)  
Complies with IEC 60 947-3, AC 22/23A

## Add-on blocks for x250 devices

These devices are intended to be fixed at the bottom of the devices.

Type A and HI for fault component dc pulsating current and the products with "reinforced immunity".  
Adjustable sensitivity and tripping.  
Test button for differential functioning check.  
Mechanical test button LED or at distance signal for tripping or advance warning (25 - 50% IΔn)

Comply with IEC 60947-2  
annexe B



HNB100U



HBB251H

Auxiliary contacts	Characteristics	In	Cat. Ref.	
Description			3P	4P
<b>MCCBs x250 25kA</b>	fixed thermal 1 x In	200A	<b>HNB200Z</b>	<b>HNB201Z</b>
	fixed magnetic > 10 x In	250A	<b>HNB250Z</b>	<b>HNB251Z</b>
<b>MCCBs x250 40kA</b>	adjustable thermal 0.63 - 0.8 - 1x In	100A	<b>HNB100U</b>	<b>HNB101U</b>
		125A	<b>HNB125U</b>	<b>HNB126U</b>
	adjustable magnetic 6 - 8 - 10 - 13 x In (100 - 200A) 5 - 7 - 9 - 11 x In (250A)	160A	<b>HNB160U</b>	<b>HNB161U</b>
		200A	<b>HNB200U</b>	<b>HNB201U</b>
	3P, 3 trip units 4P, neutral setting: 0 or 100%	250A	<b>HNB250U</b>	<b>HNB251U</b>
<b>Trip-free switches x250</b>	capacity suitable for AC 22/23A	250A	<b>HCB250Z</b>	<b>HCB251Z</b>
	low (1s): 3 kA	160A		<b>HBB161H</b>
<b>Add-on blocks</b>	adjustable sensitivity IΔn: 0.03 - 0.1 - 0.3 - 1 - 3 - 6A	250A		<b>HBB251H</b>
	adjustable tripping: - instantaneous - time delay: 0.06 - 0.15 - 0.3 - 0.5 - 1 sec			



## Moulded case circuit breakers h250

- Thermal magnetic trip unit: thermal adjustment: 0.63 to 1 In  
 magnetic adjustment: 6-8-10-13 x In  
 3P & 4P / 3P (for 25kA)  
 Mechanical test button, lockable settings,

Connection:  
 Directly on copper cable terminal,  
 with end lug max. width: 25 mm

Comply with IEC 60947-2



HHG250H



HNG125H

Description	Characteristics	In	Cat. Ref.	3P	4P
<b>MCCBs h250 25kA TM</b>	breaking capacity Icu : 25 kA (400/415 V AC) Ics: 19 kA	63A	<b>HHG063H</b>	-	-
		100A	<b>HHG100H</b>	-	-
		125A	<b>HHG125H</b>	-	-
	adjustable thermal 0.63 to 1 x In adjustable magnetic 6 - 8 - 10 - 13 x In	160A	<b>HHG160H</b>	-	-
		200A	<b>HHG200H</b>	-	-
		250A	<b>HHG250H</b>	-	-
		<b>MCCBs h250 50kA TM</b>	breaking capacity Icu : 30 kA (20-32A) Icu : 50 kA (400/415 V AC) Ics: 25 kA	63A	<b>HNG063H</b>
100A	<b>HNG100H</b>			-	-
125A	<b>HNG125H</b>			-	-
adjustable thermal 0.63 to 1 x In adjustable magnetic 6 - 8 - 10 - 13 x In	160A		<b>HNG160H</b>	-	-
	200A		<b>HNG200H</b>	-	-
	250A		<b>HNG250H</b>	-	-
<b>MCCBs h250 65kA TM</b>	breaking capacity Icu : 65 kA (400/415 V AC) Ics: 36 kA	200A	<b>HEG200H</b>	-	-
		250A	<b>HEG250H</b>	-	-
	adjustable thermal 0.63 to 1 x In adjustable magnetic 6 - 8 - 10 - 13 x In				



**Moulded case circuit breakers h250**

- Electronic trip unit LSI:
- L - Long time delay - protection against overloads: adjustable:  $I_r$  from 0.4 to  $1 \times I_n$
- S - Short time delay - protection against short-circuits: adjustable  $I_{sd}$  from 2.5 to  $10 \times I_r$
- time delay 0.1 or 0.2 s
- Instantaneous - definitive time delay tripping maximum threshold in case of short-circuit ( $I_i \text{ max} = 13 \times I_n$ )
- 2 values setting:
  - $I_r$  setting
  - predefined curve selection (9 possibilities)

3P3d and 4P3d/4dN/2 (adjustable neutral 0 - 50 - 100%)  
 Mechanical button,  
 Sealable settings.

Not for use in TPN and panel boards.

**Connection:**

Directly on copper cable terminal, with end lug max. width: 25 mm

Comply with IEC 60947-2.



HNC125H



HEC250H

Description	Characteristics	$I_n$	Cat. Ref. 3P	4P
<b>MCCBs h250 50kA LSI</b>	breaking capacity	40A	<b>HNC040H</b>	<b>HNC041H</b>
	$I_{cu}$ : 50 kA (400/415 V AC)	125A	<b>HNC125H</b>	<b>HNC126H</b>
	$I_{cs}$ : 25 kA	250A	<b>HNC250H</b>	<b>HNC251H</b>
	adjustable overload $I_r = 0.4$ to $1 \times I_n$ adjustable short circuit 2.5 to $10 \times I_r$			
	3P, 3 trip units & 4P, 3 trip units			
<b>MCCBs h250 70kA LSI</b>	breaking capacity	40A	<b>HEC040H</b>	<b>HEC041H</b>
	$I_{cu}$ : 70 kA (400/415 V AC)	125A	<b>HEC125H</b>	<b>HEC126H</b>
	$I_{cs}$ : 70 kA	250A	<b>HEC250H</b>	<b>HEC251H</b>
	adjustable overload $I_r = 0.4$ to $1 \times I_n$ adjustable short circuit 2.5 to $10 \times I_r$			
	3P, 3 trip units & 4P, 3 trip units			

# Accessories for MCCBs h250

## Accessories for MCCBs h250

### Indication contacts

- 1 changeover switch (ON/OFF): indicates the position of the MCCB is "open" or "close".
- 1 changeover alarm contact: indicates MCCB tripping.

### Coil connection

Connection capacity:

0.75 mm<sup>2</sup> flexible or rigid cables

Optional connection cables.

The cable capacity of the terminals is 0.5 to 1.25 mm<sup>2</sup>.

### Shunt trip

Remotes tripping of MCCBs or trip-free switches.

Operating voltage: 0.7 to 1.1 x Un

### Under voltage release

Allows the tripping of MCCBs or trip-free switches when voltage level drop between 35 and 70% of Un.

Pick up voltage 0.85 x Un

### Direct rotary handle

- padlockable
- equipped with front cover and handle
- fixing without any additional screw

### Extended rotary handle

- IP 55
- supplied complete with shaft and handle

	Description	Characteristics	Cat. Ref.
 HXC021H	<b>Auxiliary contacts</b> <b>AX</b> <b>AL</b>	1 changeover contact 250 V AC / 3A 125 V DC / 0,4A 1 NO + 1 NC	<b>HXC021H</b>
		1 changeover alarm contact 250 V AC / 3A 125 V DC / 0,4A 1 NO + 1 NC	<b>HXC024H</b>
 HXC004H	<b>Shunt trips</b> <b>SH</b>	24 V DC	<b>HXC001H</b>
		200 - 240 V AC	<b>HXC004H</b>
 HXC014H	<b>Undervoltage releases UV</b>	24 V DC	<b>HXC011H</b>
		200 - 240 V AC	<b>HXC014H</b>
		380 - 450 V AC	<b>HXC015H</b>
 HXC030H	<b>Direct rotary handles</b>	padlockable handle Ø 5 - 8 mm <sup>2</sup> max	<b>HXC030H</b>
		<b>Extended rotary handles</b>	padlockable handle Ø 5 - 8 mm <sup>2</sup> max
 HYC011H	<b>Motor operators</b>	230-240 V AC	<b>HXC042H</b>
		<b>Extended connections</b>	spreader connections
	<b>Interphase barriers</b>	set of 3 pieces	<b>HYC019H</b>
	<b>Locking kit</b>		<b>HXC035H</b>
	<b>Mechanical Inter lock kit</b>		<b>HXC065H</b>

**Moulded case circuit breakers h400, h630**

Thermal magnetic trip unit TM:

- thermal adjustment:  
from 0.63 to 1 x In
- magnetic adjustment:  
from 6 to 12 x In

Connection:

Directly on copper cable terminal, with end lug max. width: 30 mm

Comply with IEC 60947-2



HHD400H



HND400H

Description	Characteristics	In	Cat. Ref. 3P	4P
<b>MCCBs h400 25kA TM</b>	breaking capacity Icu : 25 kA (400/415 V AC) Ics: 25 kA  adjustable thermal: 0.63 to 1 x In adjustable magnetic: 6 to 12 x In  3P	400A	<b>HHD400U</b>	-
<b>MCCBs h400 50kA TM</b>	breaking capacity Icu : 50 kA (400/415 V AC) Ics: 50 kA  adjustable thermal: 0.63 to 1 x In adjustable magnetic: 6 to 12 x In	250A 400A	- <b>HND400U</b>	<b>HND251U</b> <b>HND401U</b>

# MCCBs and trip-free switches h400-h630

## Moulded case circuit breakers h400, h630

- Electronic trip unit LSI:

L - Long time delay - protection against overloads: adjustable:  $I_r$  from 0,4 to  $1 \times I_n$

S - Short time delay - protection against short-circuits: adjustable  $I_{sd}$  from 2.5 to  $10 \times I_r$  (400A), 2.5 to  $8 \times I_r$  (630A) time delay 0.1 or 0.2 s

I - Instantaneous - definitive time delay tripping maximum threshold in case of short-circuit ( $I_i \text{ max} = 13 \times I_n$ )

2 values setting:

- $I_r$  setting
- predefined curve selection (7 possibilities)

3P3d and 4P3d/4dN/2 (adjustable neutral 0 - 50 - 100%)

Mechanical button,

Sealable settings

### Connection:

Directly on copper cable terminal, with end lug max. width: 30 mm

Comply with IEC 60947-2

## Trip-free switches

Allows tripping at distance using a voltmetrical trip unit (optional)

Comply with IEC 60947-3

AC 23A / DC 22A

### Add-on blocks

For h630 (LSI) devices

These devices are intended to be fixed at the bottom of the devices.

Fixed version: 300mA

sensitivity and instantaneous tripping

Adjustable version: sensitivity from 30mA to 6A, tripping from instantaneous to 1s delay.

Test button for differential functioning check.

Mechanical test button.

LED or remote signal for tripping or advance warning (25-50%  $I_{\Delta n}$ ).

Type A (for fault component DC pulsating current) and HI

(reinforced immunity against unexpected tripping).

Comply with IEC 60947-2



HND630H



HBD401H

Description	Characteristics	$I_n$	Cat. Ref. 3P	4P
<b>MCCBs h630 50kA</b> <b>LSI</b> * delivered with spreader bars	breaking capacity $I_{cu}$ : 50 kA (400/415 V AC) $I_{cs}$ : 50 kA  adjustable overload: $I_r = 0.4$ to $1 \times I_n$ adjustable short circuit: 2.5 to $10 \times I_r$ (250-400A) 2.5 to $8 \times I_r$ (630A) time delay: 0.1 - 0.2 s	400A	<b>HND400H</b>	<b>HND401H</b>
		630A	<b>HND630H*</b>	<b>HND631H*</b>
<b>MCCBs h630 70kA</b> <b>LSI</b> * delivered with spreader bars	breaking capacity $I_{cu}$ : 70 kA (400/415 V AC) $I_{cs}$ : 50 kA  adjustable overload: $I_r = 0.4$ to $1 \times I_n$ adjustable short circuit: 2.5 to $10 \times I_r$ (250-400A) 2.5 to $8 \times I_r$ (630A) time delay: 0.1 - 0.2 s	400A	<b>HED400H</b>	<b>HED401H</b>
		630A	<b>HED630H*</b>	<b>HED631H*</b>
<b>Trip-free switches</b> * delivered with spreader bars	suitable for AC 22A / AC 23A $U_e$ : 415 V AC $I_{cw}$ (0.3s) = 5kA	400A	<b>HCD400H</b>	<b>HCD401H</b>
		630A	<b>HCD630H*</b>	<b>HCD631H*</b>
<b>Add-on blocks</b> (only for h630)	adjustable sensitivity $I_n$ : 0.03 - 0.1 - 0.3 - 1 - 3 - 6A adjustable tripping instantaneous time delay: 0.06s - 0.15s - 0.3s - 0.5 - 1s	400A	-	<b>HBD401H</b>
		500A	-	<b>HBD631H</b>

**Indication contacts**

- 1 changeover switch (ON/OFF): indicates the position of the MCCB is "open" or "close"
- 1 changeover alarm contact: indicates MCCB tripping

**Coil connection**

Connection capacity:  
0.75 mm<sup>2</sup> flexible or rigid cables  
Optional connection cables.  
The cable capacity of the terminals is 0.5 to 1.25 mm<sup>2</sup>.

**Shunt trip**

Remotes tripping of MCCBs or trip-free switches.  
Operating voltage:  
0.7 to 1.1 x Un

**Under voltage release**





Allows the tripping of MCCBs or trip-free switches when voltage level drop between 35 and 70% of Un. Pick up voltage 0.85 x Un

**Direct rotary handle**

- padlockable
- equipped with front cover and handle
- fixing without any additional screw

**Extended rotary handle**

- IP 55
- supplied complete with shaft and handle

	Description	Characteristics	Cat. Ref.		
 HXC021H	<b>Auxiliary contacts</b> <b>AX</b> <b>AL</b>	1 changeover contact	<b>HXC021H</b>		
		250 V AC / 3A 125 V DC / 0,4A 1 NO + 1 NC			
 HXC024H		1 changeover alarm contact	<b>HXC024H</b>		
		250 V AC / 3A 125 V DC / 0,4A 1 NO + 1 NC			
 HXC004H	<b>Shunt trips</b> <b>SH</b>	24 V DC	<b>HXC001H</b>		
		200 - 240 V AC	<b>HXC004H</b>		
 HXC014H	<b>Undervoltage releases UV</b>	24 V DC	<b>HXC011H</b>		
		200 - 240 V AC	<b>HXC014H</b>		
		380 - 450 V AC	<b>HXC015H</b>		
	<b>Direct rotary handle</b>	padlockable handle max Ø 6 mm	<b>HXD030H</b>		
	<b>Extended rotary handle</b>	padlockable handle max Ø 8 mm	<b>HXD031H</b>		
	<b>Motor operator</b>	240VAC	<b>HXD042 H</b>		
	<b>Extended connections</b>	spreader connections	250 - 400A 630A	<b>HYD011H</b> <b>HYD014H</b>	<b>HYD012H</b> <b>HYD015H</b>
	<b>Locking kit</b>			<b>HXD039H</b>	
	<b>Mechanical Inter lock kit</b>			<b>HXD065H</b>	

# MCCBs and trip-free switches h1000

## Moulded case circuit breakers h1000

- Electronic trip unit LSI:
- L - Long time delay - protection against overloads: adjustable:  $I_r$  from 0,4 to 1 x  $I_n$
- S - Short time delay - protection against short-circuits: adjustable  $I_{sd}$  from 2.5 to 10 x  $I_r$  (630-800A), 2.5 to 8 x  $I_r$  (1000A)
- time delay 0.1 or 0.2 s
- I - Instantaneous - definitive time delay tripping maximum threshold in case of short-circuit ( $I_i \text{ max} = 12 \times I_n$ )
- 2 values setting:
  - $I_r$  setting
  - predefined curve selection (7 possibilities)
- 3P3d and 4P3d/4dN/2 (adjustable neutral 0 - 50 - 100%)

Mechanical button,  
Sealable settings

### Connection

Directly on copper cable terminal, with end lug max. width: 50 mm

Comply with IEC 60947-2

### Trip-free switches

Allows tripping at distance using a voltmeterical trip unit (optional)

Comply with IEC 60 947-3  
AC 23A / DC 22A



HNE970H



HEE970H

Description	Characteristics	$I_n$	Cat. Ref. 3P	4P
<b>MCCBs h1000 50kA LSI</b>	breaking capacity $I_{cu}$ : 50 kA (400/415 V AC) $I_{cs}$ : 50 kA	630A	<b>HNE630H*</b>	
		800A	<b>HNE800H</b>	<b>HNE801H</b>
	adjustable overload $I_r = 0.4$ to 1 x $I_n$ adjustable short circuit 2.5 to 10 x $I_r$ (630 - 800A) 2.5 to 8 x $I_r$ (1000A) time delay: 0.1-0.2 s  neutral setting from 0-50 to 100%	1000A	<b>HNE970H</b>	<b>HNE971H</b>
	* without straight extended connection			
<b>MCCBs h1000 70kA LSI</b>	breaking capacity $I_{cu}$ : 70 kA (400/415 V AC) $I_{cs}$ : 50 kA	800A	<b>HEE800H</b>	<b>HEE801H</b>
		1000A	<b>HEE970H</b>	<b>HEE971H</b>
	adjustable overload $I_r = 0.4$ to 1 x $I_n$ adjustable short circuit 2.5 to 10 x $I_r$ (800A) 2.5 to 8 x $I_r$ (1000A) time delay: 0.1-0.2 s  neutral setting from 0-50 to 100%			
<b>Trip-free switches</b>	suitable for AC 22A / AC 23A $U_e$ : 415 V AC $I_{cw}$ (0.3 s) = 10 kA	800A	<b>HCE800H</b>	<b>HCE801H</b>
		1000A	<b>HCE970H</b>	<b>HCE971H</b>

**Indication contacts**

- 1 changeover switch (ON/OFF):  
indicates the position of the MCCB is "open" or "close"
- 1 changeover alarm contact:  
indicates MCCB tripping.

**Coil connection**




Connection capacity:  
0.75 mm<sup>2</sup> flexible or rigid cables  
Optional connection cables.  
The cable capacity of the terminals is 0.5 to 1.25 mm<sup>2</sup>

**Shunt trip**

Remotes tripping of MCCBs or trip-free switches.  
Operating voltage:  
0.7 to 1.1 x Un

**Under voltage release**

Allows the tripping of MCCBs or trip-free switches when voltage level drop between 35 and 70% of Un. Pick up voltage 0.85 x Un

	Description	Characteristics	Cat. Ref.
 HXC021H	<b>Auxiliary contacts</b> <b>AX</b> <b>AL</b>	1 changeover contact 250 V AC / 3A 125 V DC / 0,4A 1 NO + 1 NC	<b>HXC021H</b>
		1 changeover alarm contact 250 V AC / 3A 125 V DC / 0,4A 1 NO + 1 NC	<b>HXC024H</b>
 HXC004H	<b>Shunt trips</b> <b>SH</b>	24 V DC	<b>HXC001H</b>
		200 - 240 V AC	<b>HXC004H</b>
 HXE014H	<b>Undervoltage releases UV</b>	24 V DC	<b>HXE011H</b>
		220 - 240 V AC	<b>HXE014H</b>
		380 - 415 V AC	<b>HXE015H</b>
	<b>Mechanical Inter lock kit</b>		<b>HXE065H</b>

# Accessories for MCCBs and trip-free switches h1000

## Direct rotary handle

- padlockable
- equipped with front cover and handle
- fixing without any additional screw

## Extended rotary handle

- IP 55
- supplied complete with shaft and handle



HXE030H

Description	Characteristics	Cat. Ref. 3P	4P
<b>Interphase barriers</b>	set of 3	<b>HYE019H</b>	<b>HYE019H</b>
<b>Direct rotary handles</b>	padlockable handle		<b>HXE030H</b>
<b>Extended rotary handles</b>	padlockable handle		<b>HXE031H</b>
<b>Motor operators</b>	100 - 240V AC		<b>HXE042H</b>



### Moulded case circuit breakers h1600,

#### selection and protection

- Electronic trip unit LSI:

L - Long time delay - protection against overloads: adjustable:  $I_r$  from 0.4 to  $1 \times I_n$

S - Short time delay - protection against short-circuits: adjustable  $I_{sd}$  from 2.5 to

$10 \times I_r$  time delay 0.1 or 0.2 s

I - Instantaneous - definitive time delay tripping maximum threshold in case of short-circuit ( $I_i \text{ max} = 12 \times I_n$ )

2 values setting:

-  $I_r$  setting

- predefined curve selection

(7 possibilities)

3P3d and 4P3d/4dN/2 (adjustable neutral 0 - 50 - 100%)

Mechanical button,

Sealable settings

#### Connection:

Directly on copper cable terminal, with end lug max. width: 60 mm

Comply with IEC 60947-2

#### Trip-free switches

Allows tripping at distance using a voltmeterical trip unit (optional)

Comply with IEC 60947-3

AC 23A / DC 22A



HNF990H



HNF990H

Description	Characteristics	$I_n$	Cat. Ref. 3P	4P
<b>MCCBs h1600 50kA LSI</b>	breaking capacity	1250A	<b>HNF980H</b>	<b>HNF981H</b>
	$I_{cu}$ : 50 kA (400/415 V AC) $I_{cs}$ : 50 kA	1600A	<b>HNF990H</b>	<b>HNF991H</b>
	adjustable overload $I_r = 0.4$ to $1 \times I_n$ adjustable short circuit $2.5$ to $10 \times I_r$ time delay: 0.1-0.2 s			
	neutral setting 0, 50, 100%			
<b>MCCBs h1600 70kA LSI</b>	breaking capacity	1250A	<b>HEF980H</b>	<b>HEF981H</b>
	$I_{cu}$ : 70 kA (400/415 V AC) $I_{cs}$ : 50 kA	1600A	<b>HEF990H</b>	<b>HEF991H</b>
	adjustable overload $I_r = 0.4$ to $1 \times I_n$ adjustable short circuit $2.5$ to $10 \times I_r$ time delay: 0.1-0.2 s			
	neutral setting from 0, 50, 100%			
<b>Trip-free switches</b>	suitable for AC 22A / AC 23A	1250A	<b>HCF980H</b>	<b>HCF981H</b>
	$U_e$ : 415 V AC $I_{cw}$ (0.3 s) = 20 kA	1600A	<b>HCF990H</b>	<b>HCF991H</b>

## Indication contacts

- 1 changeover switch (ON/OFF):  
indicates the position of the MCCB is "open" or "close".
- 1 changeover alarm contact:  
indicates MCCB tripping

Coil connection

Connection capacity:

0.75 mm<sup>2</sup> flexible or rigid cables

Optional connection cables.

The cable capacity of the terminals is 0.5 to 1.25 mm<sup>2</sup>

## Shunt trip

Remotes tripping of MCCBs or trip-free switches.

Operating voltage:

0.7 to 1.1 x Un

## Under voltage release

Allows the tripping of MCCBs or trip-free switches when voltage level drop between 35 and 70% of Un.

Pick up voltage 0.85 x Un




## Direct rotary handle

- padlockable
- equipped with front cover and handle
- fixing without any additional screw

Extended rotary handle

- IP 55
- supplied complete with shaft and handle

Rear connection: included

	Description	Characteristics	Cat. Ref.
 HXC021H	<b>Auxiliary contacts</b> <b>AX</b> <b>AL</b>	1 changeover contact 250 V AC / 3A 125 V DC / 0.4A 1 NO + 1 NC	<b>HXC021H</b>
		1 changeover alarm contact 250 V AC / 3A 125 V DC / 0.4A 1 NO + 1 NC	<b>HXC024H</b>
 HXC004H	<b>Shunt trips</b> <b>SH</b>	24 V DC 200 - 240 V AC	<b>HXF001H</b> <b>HXF004H</b>
		<b>Undervoltage releases UV</b>	24 V DC 220 - 240 V AC 380 - 415 V AC
 HXC014H	<b>Direct rotary handle</b> <b>Extended rotary handle</b>	padlockable handle, max Ø 8 mm	<b>HXF030H</b>
		padlockable handle, max Ø 8 mm	<b>HXF031H</b>
	<b>Motor operators</b>	200 - 230 V AC	<b>HXF042H</b>
	<b>Interphase barriers</b>	3/4 P, set of 3	<b>HYF019H</b>
	<b>Locking kit</b>		<b>HXF039H</b>


# h3 MCCBs feature loaded

Provides safe and easy solution for low voltage electrical circuit protection. The state of the art circuit breakers offer both designers and installers wide range of features and benefits. Special attention has been given to ergonomics, especially with the integration of these devices in novello+ distribution boards.



Frame	x160				x250			h250 TM			
Product	Switch	MCCB			Switch	MCCB		MCCB			
Reference	HCA	HDA	HHA	HNA	HCB	HHB	HNB	HHG	HNG	HEG	
Number of poles	[No.] 3-4	1-2-3-4	1-2-3-4	3-4	3-4			3-4			
Electrical characteristics											
Rated current	In [A]	160			250			250			
Current rated range	[A]	125-160	16-125 (1P), 16-160 (2,3,4P)		250	100-250		12,5-250			
Rated service voltage, (AC)	Ue [V]	220-440			220-440			220-690			
Frequency	f [Hz]	50/60			50/60			50/60			
Rated insulation voltage	Ui [V]	690			800			800			
Rated impulse withstand voltage	Uimp [kV]	8			8			8			
Rated ultimate short-circuit breaking capacity, (Icu)											
(AC) 50-60 Hz 220/230 V	Icu [kA]	-	25	35	85	-	35	85	35	85	85
(AC) 50-60 Hz 380/415 V	Icu [kA]	-	18	25	40	-	25	40	25	50	65
(AC) 50-60 Hz 480/500/525 V	Icu [kA]	-	6	17.5	12.5	-	-	10	10	25	25
(AC) 50-60 Hz 660/690 V	Icu [kA]	-	-	-	6	-	-	4	-	7.5	7.5
(DC) 250 V - 2 poles in series	Icu [kA]	-	12.5	20	25	-	25	25	25	40	40
Rated service short-circuit breaking capacity, (Ics)											
(AC) 50-60 Hz 220/230 V	Ics [kA]	-	25	25	40	-	25	40	27	65	85
(AC) 50-60 Hz 380/415 V	Ics [kA]	-	18	20	20	-	20	20	19	25	36
(AC) 50-60 Hz 480/500/525 V	Ics [kA]	-	3	4	7.5	-	-	7.5	7.5	25	25
(AC) 50-60 Hz 660/690 V	Ics [kA]	-	-	-	3	-	-	2	-	7.5	7.5
(DC) 250 V - 2 poles in series	Ics [kA]	-	7	10	13	-	13	13	19	40	40
Rated short-circuit making capacity	Icm [kA]	2,8	-	-	-	9	-	-	-	-	-
Rated short-time withstand current for 1s	Icw [kA]	2	-	-	-	3	-	-	-	-	-
Category of use (EN 60947-2)		-	A			-	A		A		
Calibration temperature		-	50°C			-	50°C		50°C		
Derating 40°C		-	100%			-	100%		100%		
	50°C	-	100%			-	100%		100%		
	55°C	-	95%			-	94%		94%		
	60°C	-	93%			-	91%		91%		
	65°C	-	90%			-	88%		88%		
Suitability for isolation		ok				ok			ok		
Electric endurance in number of cycles		10000				10000			10000		
Mechanical endurance in number of operations		20000				20000			30000		
Operating temperature		-25 to +70°C				-25 to +70°C			-25 to +70°C		
Storage temperature		-35 to +70°C				-35 to +70°C			-35 to +70°C		
Power loss (at In for 3P)	[W]	39				60			65		
Reference standard		IEC 60947-3		IEC 60947-2		IEC 60947-3		IEC 60947-2		IEC 60947-2	
Releases: switch		ok				ok			-		
Releases: TM (thermomagnetic)		-				-			ok		
T fixed, M fixed		ok				-			ok		
T adjustable, M fixed		-				-			-		
T adjustable, M adjustable		-				-			ok		
Thermal adjustment value		-				-			0,63 to 1 x In		
Magnetic adjustment value		-				-			6-8-10-13 x In (200A) 5-7-9-11 In (250A)		
Releases: LSI (electronic)		-				-			-		
Long delay		-				-			-		
Short delay		-				-			-		
Time delay		-				-			-		
Terminations											
Standard terminal type		cage				lugs			lugs		
Maximum terminal capacity		95 mm <sup>2</sup>				185 mm <sup>2</sup> (cage)			120 mm <sup>2</sup> (cage)		
Terminal width	mm	-				25			25		
Terminal shields		ok				ok			ok		
Cage terminal		integrated				ok			ok		
Extended connections		ok				ok			ok		
Rear connections		no				ok			ok		
Dimensions											
Height	mm	130				165			165		
Width	1P mm	-	25	-	-	-			-		
	2P mm	-	50	-	-	-			-		
	3P mm	75				105			105		
	4P mm	100				140			140		
Depth	mm	68				68			68		
Weight	1P kg	-	0,29	-	-	-			-		
	2P kg	-	0,48	-	-	-			-		
	3P kg	0,715				1,3			1,5		
	4P kg	0,95				1,6			1,9		

h250 LSI		h400 TM			h630 LSI			h1000 LSI			h1600 LSI		
MCCB		MCCB			Switch	MCCB		Switch	MCCB		Switch	MCCB	
HNC	HEC	HHD	HND	HKD	HCD	HND	HED	HCE	HNE	HEE	HCF	HNF	HEF
3-4		3-4			3-4			3-4			3-4		
250		400			630			1000			1600		
40-125-250		250-400			400-630	250-400-630		630-800-1000			1250-1600		
220-690		220-690			220-690			220-690			220-690		
50/60		50/60			50/60			50/60			50/60		
800		800			800			800			800		
8		8			8			8			8		
85	100	35	85	85	-	85	100	-	85 (800A) 75 (1000A)	100	-	100	100
50	70	25	50	70	-	50	70	-	50	70	-	50	70
25	45	10	30		-	30	30	-	30	30	-	45	65
7,5	20	7,5	20		-	20	20	-	20	20	-	25	45
-	-	25	40		-			-	-	-	-	-	-
85	100	35	85		-	85	85	-	85 (800A) 75 (1000A)	100 (800A) 75 (1000A)	-	75	75
25	70	25	50	50	-	50	50	-	50	50	-	50	50
10	45	10	30		-	30	30	-	30	30	-	45	50
7,5	15	7,5	15		-	15	15	-	20	20	-	25	34
-	-	25	40		-			-	-	-	-	-	-
-	-	-	-		9	-	-	20	-	-	45	-	-
-	-	-	-		5 (0,3s)	-	-	10 (0,3s)	-	-	20 (0,3s)	-	-
A	A				-	B(250-400A) - A(630A)		-	B(800A) - A(1000A)		-	B	
40°C	50°C				-	40°C		-	40°C		-	40°C	
100%	100%				-	100%		-	100%		-	100%	
95%	100%				-	100%		-	100%		-	100%	
90%	95%				-	95%		-	95%		-	95%	
80%	92%				-	90%		-	90%		-	90%	
80%	89%				-	80%		-	80%		-	80%	
ok	ok				ok	ok		ok	ok		ok	ok	
10000	4500				4500	4500		4500	4500		4500	4500	
30000	15000				15000	15000		15000	15000		15000	15000	
-25 to +70°C	-25 to +70°C				-25 to +70°C	-25 to +70°C		-25 to +70°C	-25 to +70°C		-25 to +70°C	-25 to +70°C	
-35 to +70°C	-35 to +70°C				-35 to +70°C	-35 to +70°C		-35 to +70°C	-35 to +70°C		-35 to +70°C	-35 to +70°C	
75	75				150	150		150	150		170	170	
IEC 60947-2	IEC 60947-2				IEC 60947-3	IEC 60947-2		IEC 60947-3	IEC 60947-2		IEC 60947-3	IEC 60947-2	
-	-				ok	-		ok	-		ok	-	
-	ok				-	-		-	-		-	-	
-	-				-	-		-	-		-	-	
-	ok				-	-		-	-		-	-	
-	0,63 to 1 x In				-	-		-	-		-	-	
-	6-8-10-12 x In				-	-		-	-		-	-	
-	-				-	ok		-	ok		-	ok	
0,4 to 1 x Ir	-				-	0,4 to 1 x Ir		-	0,4 to 1 x Ir		-	0,4 to 1 x Ir	
2,5 to 10 x Ir	-				-	2,5 to 10 x Ir (250-400A) 2,5 to 8 x Ir (630A)		-	2,5 to 10 x Ir (800A) 2,5 to 8 x Ir (1000A)		-	2,5 to 10 x Ir	
0,1 - 0,2s	-				-	0,1 - 0,2s		-	0,1 - 0,2s		-	0,1 - 0,2s	
lugs		lugs			lugs			lugs			lugs		
120 mm <sup>2</sup> (cage)		240 mm <sup>2</sup> (cage)			-			-			-		
25		30			30			45			45		
ok		ok			ok			ok			ok		
ok		ok			-			-			-		
ok		ok			integrated			integrated			integrated		
ok		ok			ok			ok			ok		
165		260			260			273/433			370/570		
-		-			-			-			-		
-		-			-			-			-		
105		140			140			210			210		
140		185			185			280			280		
97		97			97			99,5			140		
-		-			-			-			-		
-		-			-			-			-		
2,5		4,2			4,3			11			27		
3,3		5,6			5,7			14,8			31		

Product Frame	Add-on blocks 				
	x160	x160	x250	h630	
Number of poles	3, 4	3, 4	4	4	
Tripping access	mechanical	mechanical	mechanical	mechanical	
Standards CEI/EN 60947-2 appendix B	ok	ok	ok	ok	
<b>Electrical characteristics</b>					
Max rated current (40°) In A	In	125A	125 - 160A	160 - 250A	400A - 500A
Rated service voltage Ue V AC (50/60Hz)	Ue	240-415V	240-415V	240-415V	240-415V
<b>Mechanical characteristics</b>					
Top and bottom supply	ok	ok	ok	ok	
For tripping, no additional external electrical sources	ok	ok	ok	ok	
Possible operating with 2 active phases	ok	ok	ok	ok	
<b>Settings</b>					
Sensitivity I $\Delta$ n	I $\Delta$ n (A)	300mA	0.03, 0.1, 0.3, 1, 3, 6A	0.03, 0.1, 0.3, 1, 3, 6A	0.03, 0.1, 0.3, 1, 3, 6A
Time delay $\Delta$ t	$\Delta$ t (s)	inst.	inst., 0.06, 0.15, 0.3, 0.5, 1	inst., 0.06, 0.15, 0.3, 0.5, 1	inst., 0.06, 0.15, 0.3, 0.5, 1
Max. opening time	ms	10	10	10	10
Delay add-on block is not possible if I $\Delta$ n = 30mA		/	ok	ok	ok
Selective product		no	ok	ok	ok
Mechanical test button		ok	ok	ok	ok
Isolating test without cable removal		ok	ok	ok	ok
Electrical test button		ok	ok	ok	ok
Reset button		ok	ok	ok	ok
Sealable setting button		no	ok	ok	ok
Isolation level signaling by led 25 and 50%		no	ok	ok	ok
In running signalisation by led		no	ok	ok	ok
Residual default signaling contact		ok	ok	ok	ok
Signaling contact 50% I $\Delta$ n		no	ok	ok	ok
Anti-transient	type AC	ok	ok	ok	ok
Pulsating current	type A	ok	ok	ok	ok
High immunity	type HI	yes	yes	yes	yes
-25°C		ok	ok	ok	ok
<b>Accessories and connection</b>					
Steel terminal cage (x3/x4)		ok (included)	ok (included)	accessories	accessories
Connection by lugs		no	no	ok	ok
Extended connections (x4)		ok	ok	ok	ok
Spreaders (x4)		ok	ok	ok	ok
Terminal covers (3P/4P)		no	no	ok	ok
Interphase barriers (x3)		ok	ok	ok	ok
Rigid cables connection capacity mm <sup>2</sup>		4 - 95	4 - 95	35-185	35-240
Flexible cables connection capacity mm <sup>2</sup> (with terminal)		4 - 70	4 - 70	35-150	35-185
Tightening torque Nm		6	6	12	22
Copper bar (width) in mm		no	no	25	30
<b>Mounting</b>					
Clips on DIN rail		ok	ok	no	no
Fixed on mounting plate		no	no	ok	ok
Fixation type		side	side	bottom	bottom
Mounting by customer		ok	ok	ok	ok
<b>Dimensions and weight</b>					
Dimensions (LxHxD) in mm	L	100	100	140	184
Side mounted 4P	H	165	165	107,5	133
	D	95	95	85	110
Weight	3P	1,4	1,4	/	/
	4P	1,55	1,55	1,2	2,4

	Pole	Trip unit	Series In A	HDx 18kA	HHx 25kA	HNx 40kA	
x160	3P	TM fix/fix	16	HDA016Z	HHA016Z	HNA016Z	
			20	HDA020Z	HHA020Z	HNA020Z	
			25	HDA025Z	HHA025Z	HNA025Z	
			32	HDA032Z	HHA032Z	HNA032Z	
			40	HDA040Z	HHA040Z	HNA040Z	
			50	HDA050Z	HHA050Z	HNA050Z	
			63	HDA063Z	HHA063Z	HNA063Z	
			80	HDA080Z	HHA080Z	HNA080Z	
			100	HDA100Z	HHA100Z	HNA100Z	
			125	HDA125Z	HHA125Z	HNA125Z	
		160	HDA160Z	HHA160Z	HNA160Z		
		TM adj/fix	16-20-25	HDA025U	HHA025U	HNA025U	
			25-32-40	HDA040U	HHA040U	HNA040U	
			40-50-63	HDA063U	HHA063U	HNA063U	
	50-63-80		HDA080U	HHA080U	HNA080U		
	63-80-100		HDA100U	HHA100U	HNA100U		
	80-100-125		HDA125U	HHA125U	HNA125U		
	100-125-160		HDA160U	HHA160U	HNA160U		
	4P 100%		TM fix/fix	16	HDA017Z	HHA017Z	HNA017Z
		20		HDA021Z	HHA021Z	HNA021Z	
		25		HDA026Z	HHA026Z	HNA026Z	
		32		HDA033Z	HHA033Z	HNA033Z	
		40		HDA041Z	HHA041Z	HNA041Z	
		50		HDA051Z	HHA051Z	HNA051Z	
		63		HDA064Z	HHA064Z	HNA064Z	
		80		HDA081Z	HHA081Z	HNA081Z	
		100		HDA101Z	HHA101Z	HNA101Z	
		125		HDA126Z	HHA126Z	HNA126Z	
160		HDA161Z	HHA161Z	HNA161Z			
TM adj/fix		16-20-25	HDA026U	HHA026U	HNA026U		
		25-32-40	HDA041U	HHA041U	HNA041U		
		40-50-63	HDA064U	HHA064U	HNA064U		
	50-63-80	HDA081U	HHA081U	HNA081U			
	63-80-100	HDA101U	HHA101U	HNA101U			
	80-100-125	HDA126U	HHA126U	HNA126U			
	100-125-160	HDA161U	HHA161U	HNA161U			
	x250	3P	TM fix/fix	100		HHB100Z	HNB100Z
125					HHB125Z	HNB125Z	
160					HHB160Z	HNB160Z	
200					HHB200Z	HNB200Z	
250					HHB250Z	HNB250Z	
TM adj/adj			63-80-100				HNB100U
			80-100-125				HNB125U
			100-125-160				HNB160U
			125-160-200				HNB200U
			160-200-250				HNB250U
4P 0% - 4P 100%		TM fix/fix	100		HHB101Z	HNB101Z	
			125		HHB126Z	HNB126Z	
			160		HHB161Z	HNB161Z	
			200		HHB201Z	HNB201Z	
			250		HHB251Z	HNB251Z	
		TM adj/adj	63-80-100				HNB101U
			80-100-125				HNB126U
			100-125-160				HNB161U
			125-160-200				HNB201U
			160-200-250				HNB251U

	Pole	Trip unit	Series	HHx	HNx	HEx
			In A	25kA	30kA - 50kA	65kA* - 70kA
h250	3P	TM adj/adj	12,5-16-20	HHG020H	HNG020H	
			20-25-32	HHG032H	HNG032H	
			32-40-50	HHG050H		HEG050H*
			40-50-63	HHG063H	HNG063H	HEG063H*
			63-80-100	HHG100H	HNG100H	HEG100H*
			80-100-125	HHG125H	HNG125H	HEG125H*
			100-125-160	HHG160H	HNG160H	HEG160H*
			125-160-200	HHG200H	HNG200H	HEG200H*
			160-200-250	HHG250H	HNG250H	HEG250H*
			16-40		HNC040H	HEC040H
	50-125		HNC125H	HEC125H		
	100-250		HNC250H	HEC250H		
	4P 0%	TM adj/adj	12,5-16-20		HNG021H	
			20-25-32		HNG033H	
			32-40-50		HNG051H	HEG051H
			40-50-63		HNG064H	HEG064H
			63-80-100		HNG101H	HEG101H
			80-100-125		HNG126H	HEG126H
			100-125-160		HNG161H	HEG161H
			125-160-200		HNG201H	HEG201H
160-200-250				HNG251H	HEG251H	
16-40				HNC041H	HEC041H	
50-125		HNC126H	HEC126H			
100-250		HNC251H	HEC251H			
h400 - h630	3P	TM adj/adj	160-200-250	HHD250H	HND250H	
			250-320-400	HHD400H	HND400H	
			160-400			HED400H
			250-630		HND630H	HED630H
	LSI		160-400		HND400H	
			160-200-250		HND251H	
4P 0%	TM adj/adj	250-320-400		HND401H		
		160-400		HND401H	HED401H	
4P 0% - 50% - 100%	LSI	250-630		HND631H	HED631H	
h1000	3P	LSI	630		HNE630H	
			800		HNE800H	HEE800H
			1000		HNE970H	HEE970H
	4P 0% - 50% - 100%	LSI	630		HNE631H	
			800		HNE801H	HEE801H
			1000		HNE971H	HEE971H
h1600	3P	LSI	1250		HNF980H	HEF980H
			1600		HNF990H	HEF990H
	4P 0% - 50% - 100%	LSI	1250		HNF981H	HEF981H
			1600		HNF991H	HEF991H

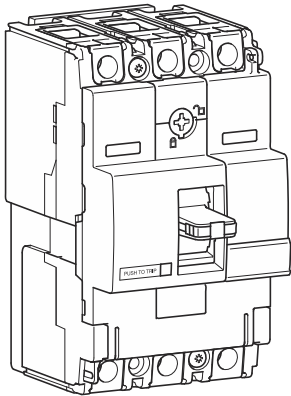


Series				x160	x250	h630	h1000	h1600	
Product	Version	Poles	In A						
Trip-free switches	3 poles		125	HCA125Z					
			160	HCA160Z					
	4 poles		125	HCA126Z					
			160	HCA161Z					
	3 poles		250		HCB250Z				
	4 poles		250		HCB251Z				
	3 poles		400				HCD400H		
			630				HCD630H		
	4 poles		400				HCD401H		
			630				HCD631H		
	3 poles		800					HCE800H	
			1000					HCE970H	
	4 poles		800					HCE801H	
			1000					HCE971H	
3 poles		1250						HCF980H	
		1600						HCF990H	
4 poles		1250						HCF981H	
		1600						HCF991H	
Add-on blocks	Side mounted	3 poles	125 fixed	HBA127H					
			125 adjustable	HBA125H					
			160 adjustable	HBA160H					
		4 poles	125 fixed	HBA128H					
			125 adjustable	HBA126H					
			160 adjustable	HBA161H					
	Bottom mounted	4 poles	160 adjustable		HBB161H				
			250 adjustable		HBB251H				
400 adjustable				HBD401H					
500 adjustable				HBD631H					

Switches and accessories for h3  
references guide

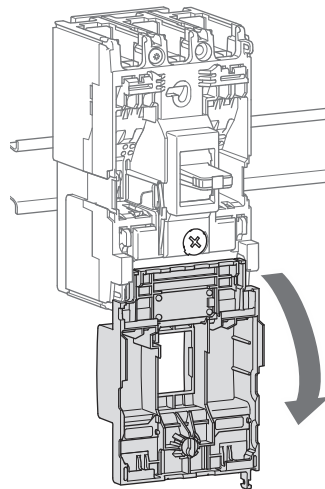
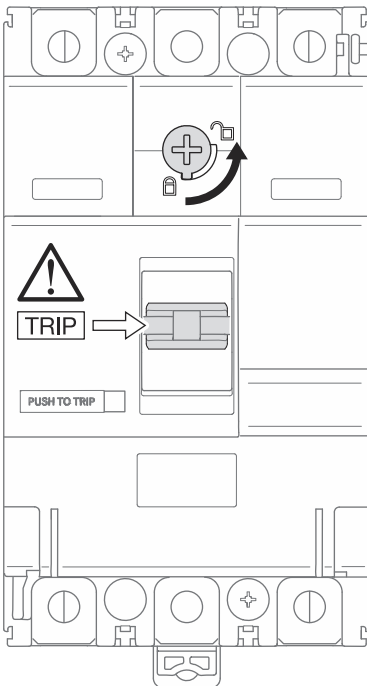
				Switches and accessories					
Products	Version	pole	In A / Ue V	x160	x250	h250	h400-h630	h1000	h1600
Auxiliaries	Shunt trip release	3/4P	24V DC	HXA001H		HXC001H			HXF001H
			200-240V AC	HXA004H		HXC004H			HXF004H
	Undervoltage release	3/4P	24V DC	HXA011H			HXC011H		HXE011H
			200-240V AC	HXA014H			HXC014H		HXE014H
			380-450V AC	HXA015H			HXC015H		HXE015H
	Auxiliary contact	3/4P	1NO+1NC	HXA021H			HXC021H		
	Alarm contact	3/4P	1NO+1NC	HXA024H			HXC024H		
	Auxiliary contact - low level	3/4P	1NO+1NC	HXA025H			HXC025H		
	Alarm contact - low level	3/4P	1NO+1NC	HXA026H			HXC026H		
	Direct rotary handle			HXA030H	HXB030H	HXC030H	HXD030H	HXE030H	HXF030H
Extended rotary handle			HXA031H	HXB031H	HXC031H	HXD031H	HXE031H	HXF031H	
Padlock			HXA039H			HXC039H	HXD039H	HXF039H	
Motor operator	3/4P	24-48V DC	-		HXB040H	HXC040H	HXD040H	HXE040H	HXF040H
		200-240V AC	-		HXB042H	HXC042H	HXD042H	HXE042H	HXF042H
Connections	Extended spreader connection	3P		HYA014H	HYB011H	HYC011H	HYD011H (250-400A) HYD014H (630A)	-	-
		4P		HYA015H	HYB012H	-	HYD012H (250-400A) HYD015H (630A)	-	-
	Interphase barrier	3/4P	short	HYA019H		-	-	-	-
			long	HYB019H		included	included	included	included
DIN rail adaptor	3/4P		HYA033H	-	-	-	-	-	

## MCCBs

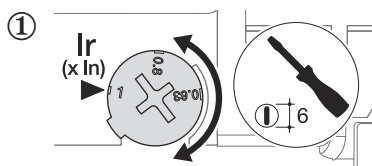


		220/240V AC IEC 60 947-2	380/415V AC IEC 60 947-2
HDA	l <sub>cu</sub>	25 kA	18 kA
	l <sub>cs</sub>	25 kA	18 kA
HHA	l <sub>cu</sub>	35 kA	25 kA
	l <sub>cs</sub>	25 kA	20 kA
HNA	l <sub>cu</sub>	85 kA	40 kA
	l <sub>cs</sub>	30 kA	20 kA
HCA	l <sub>cm</sub>	-	2.8 kA
	l <sub>cw</sub>	-	2 kA - 1s

## Magnetic and thermal settings



For DIN rail mounting, use HYA033H.



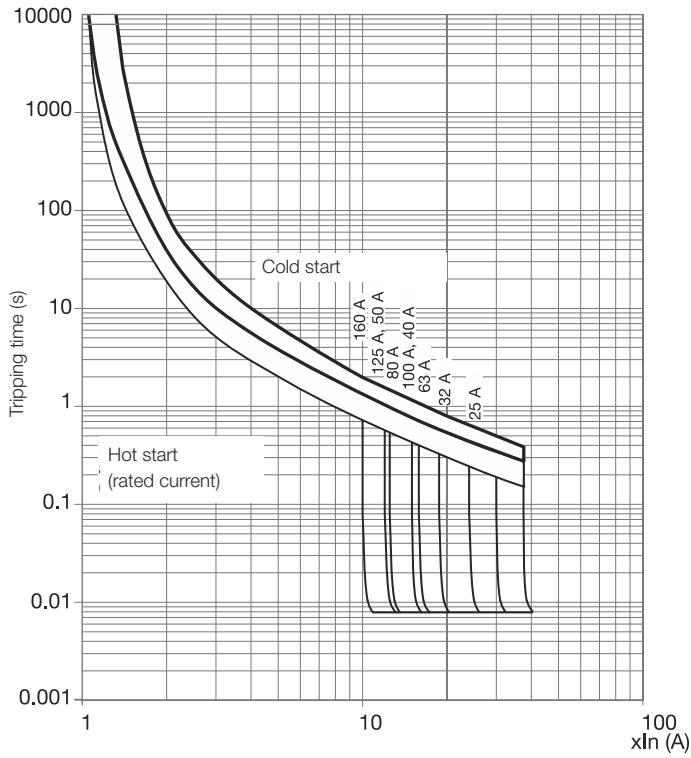
Thermal adjustment from 0,63 to 1 x I<sub>n</sub>

Magnetic adjustment fixed > 10 x I<sub>n</sub>

I <sub>n</sub>	15 - 50 A	63 - 80 A	100 - 125 A	160 A
I <sub>mag</sub>	600 A	1000 A	1500 A	1600 A

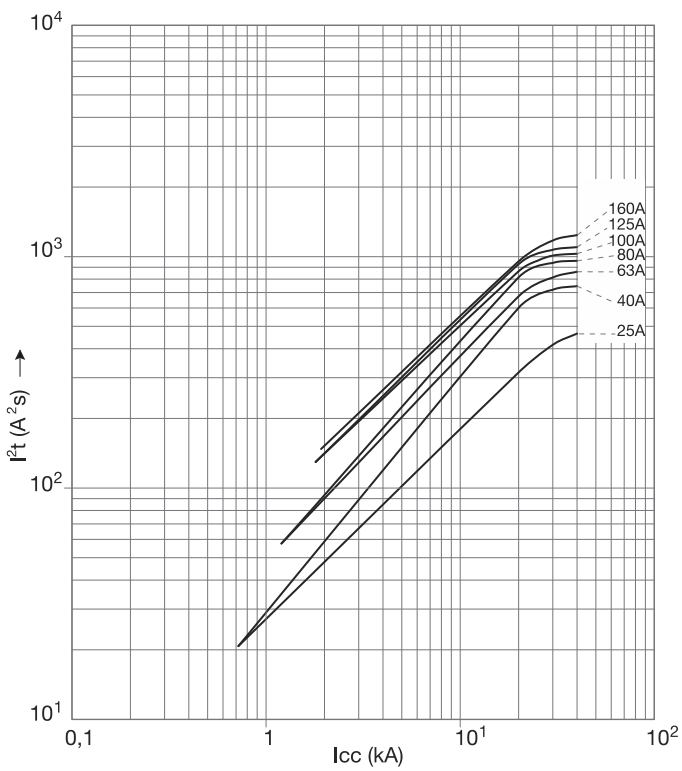
Tripping curve

MCCB x160



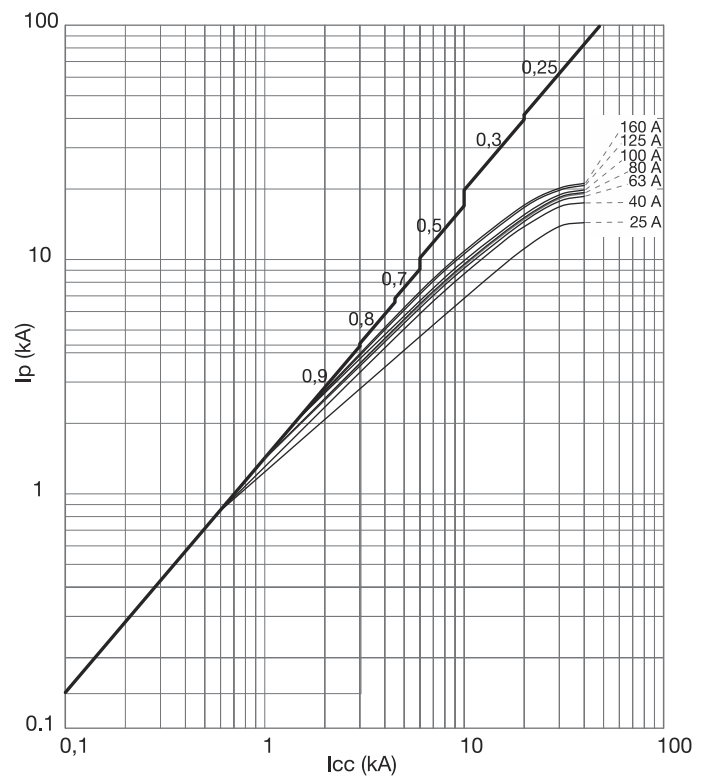
Thermal constraint curve at 400V (Let-through energy)

MCCB x160



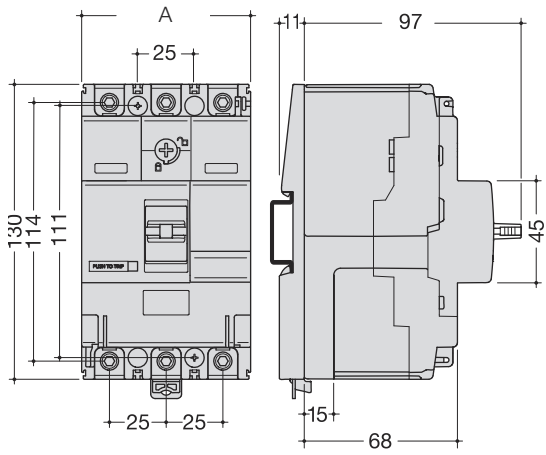
Current limiting curve at 400V (Let-through pick current)

MCCB x160



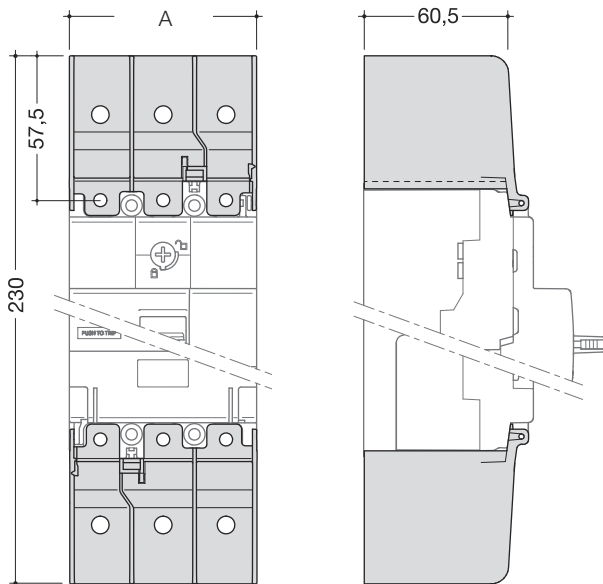
## Dimensions

### MCCB x160



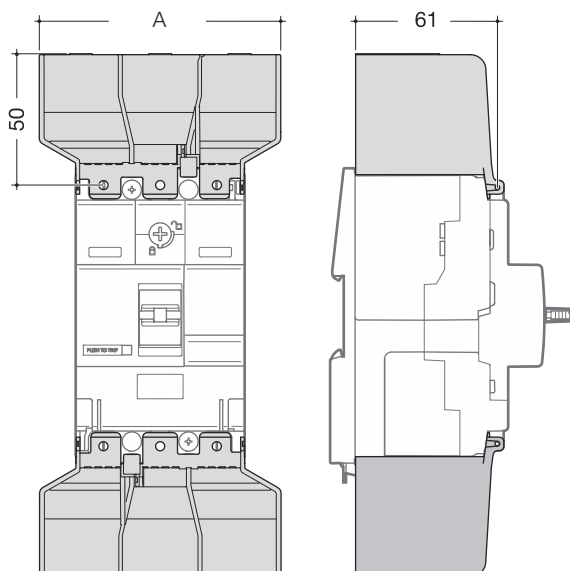
	A (mm)	B (mm)	C (mm)
1P	24.8	25	111
2P	49.5	25	111
3P	74.5	25	111
4P	99.5	25	111

### Terminal covers for extended straight connections



	A (mm)	B (mm)	C (mm)
1P	24.4	57.5	60.5
2P	49.5	57.5	60.5
3P	74.5	57.5	60.5
4P	99.5	57.5	60.5

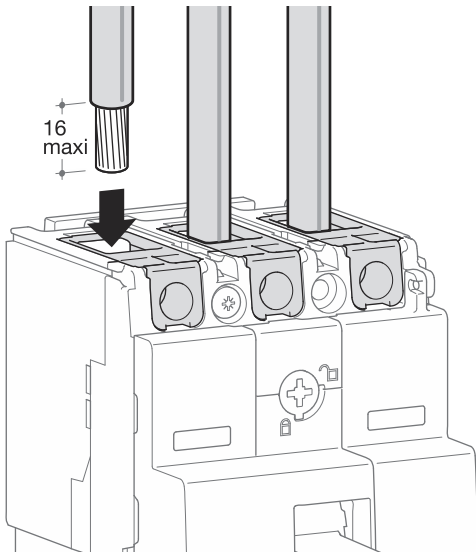
### Terminal cover for extended spreader connections



	A (mm)	B (mm)	C (mm)
3P	106.5	50	60.5
4P	141.5	50	60.5

Connection

Connection with end lugs



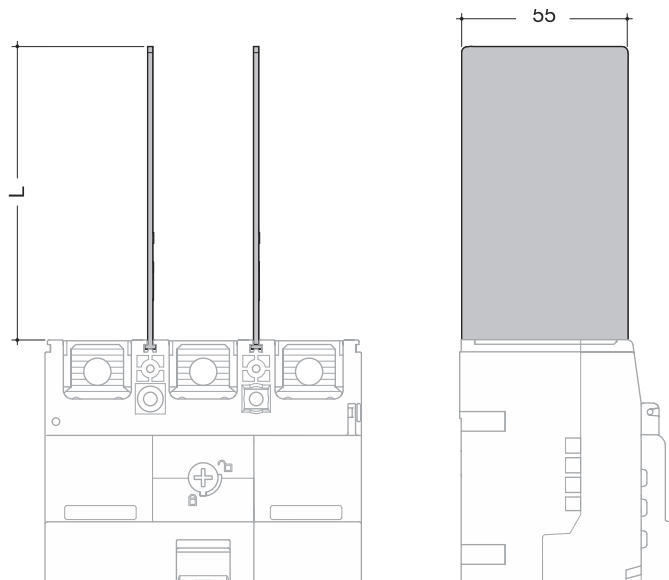
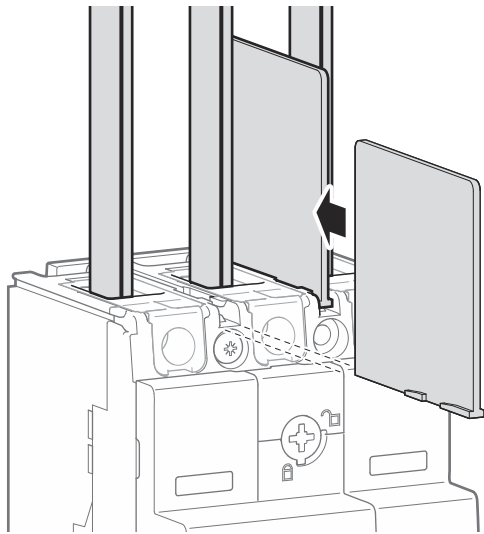
Terminals of copper conductors (standard)

	min. 6 mm <sup>2</sup>	max. 70 mm <sup>2</sup>
	min. 6 mm <sup>2</sup>	max. 95 mm <sup>2</sup>
	6 Nm	

Terminals of aluminium / copper conductors (accessory)  
HYA005H, HYA006H

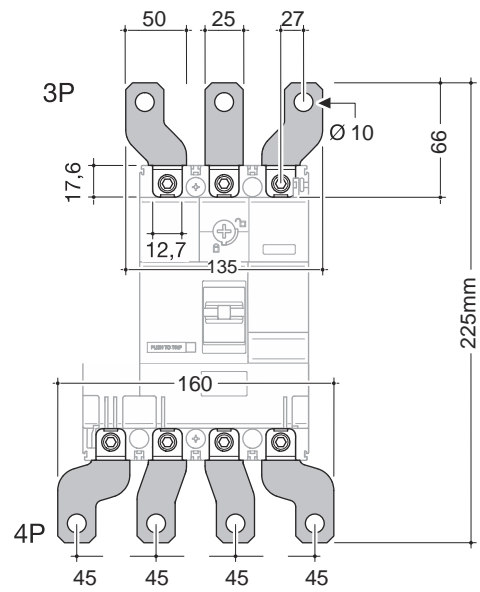
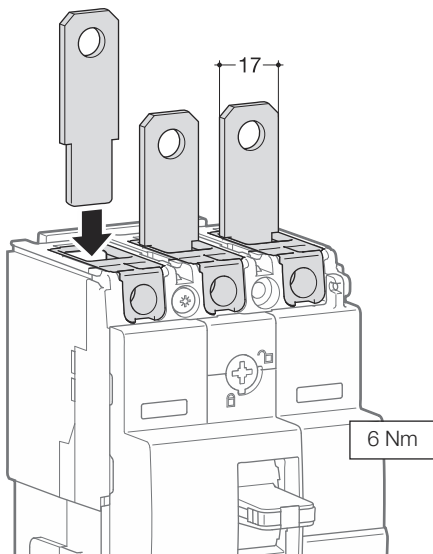
	min. 35 mm <sup>2</sup>	max. 70 mm <sup>2</sup>
	10 Nm	

Interphase barriers

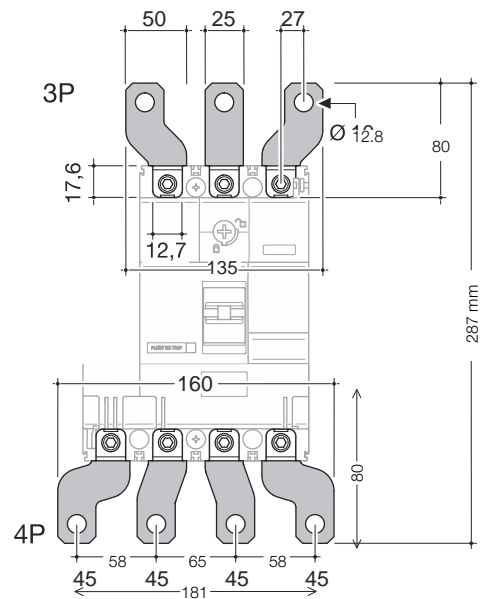
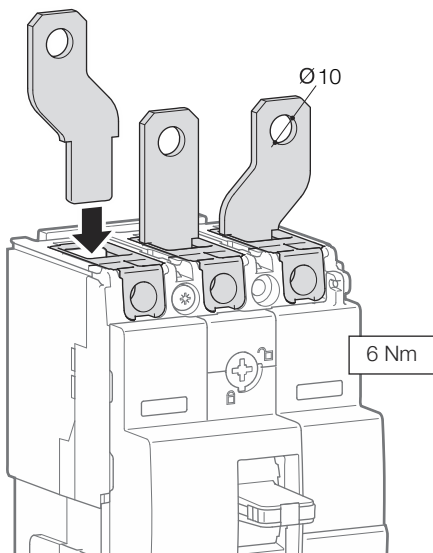


	L (mm)
HYA019H	50
HYB019H	97

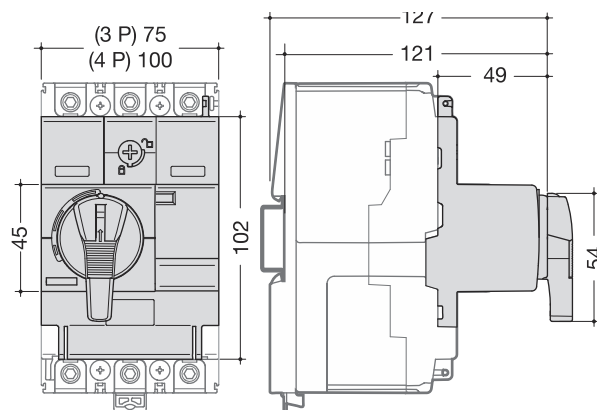
Extended straight connections



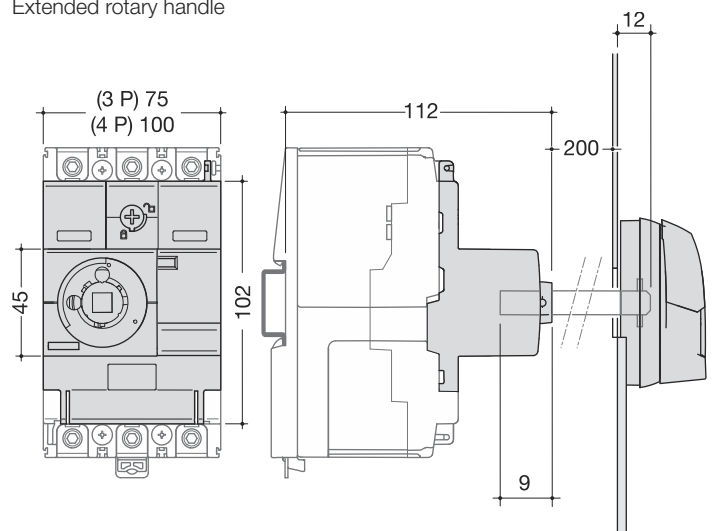
Extended spreader connections



Direct rotary handle

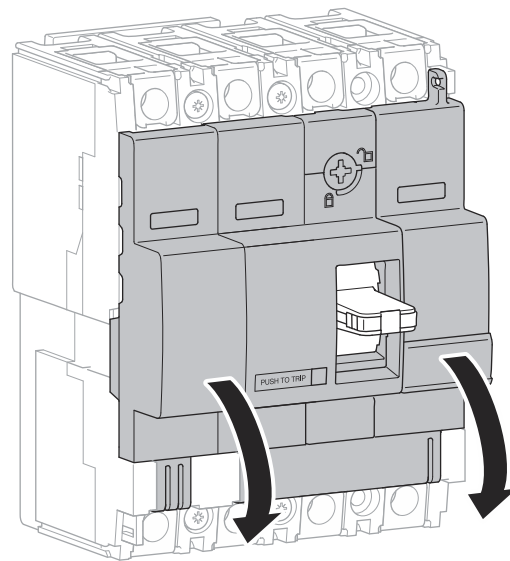
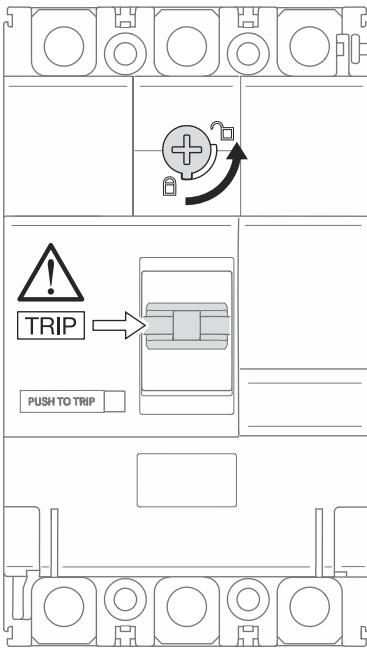


Extended rotary handle



Auxiliaries

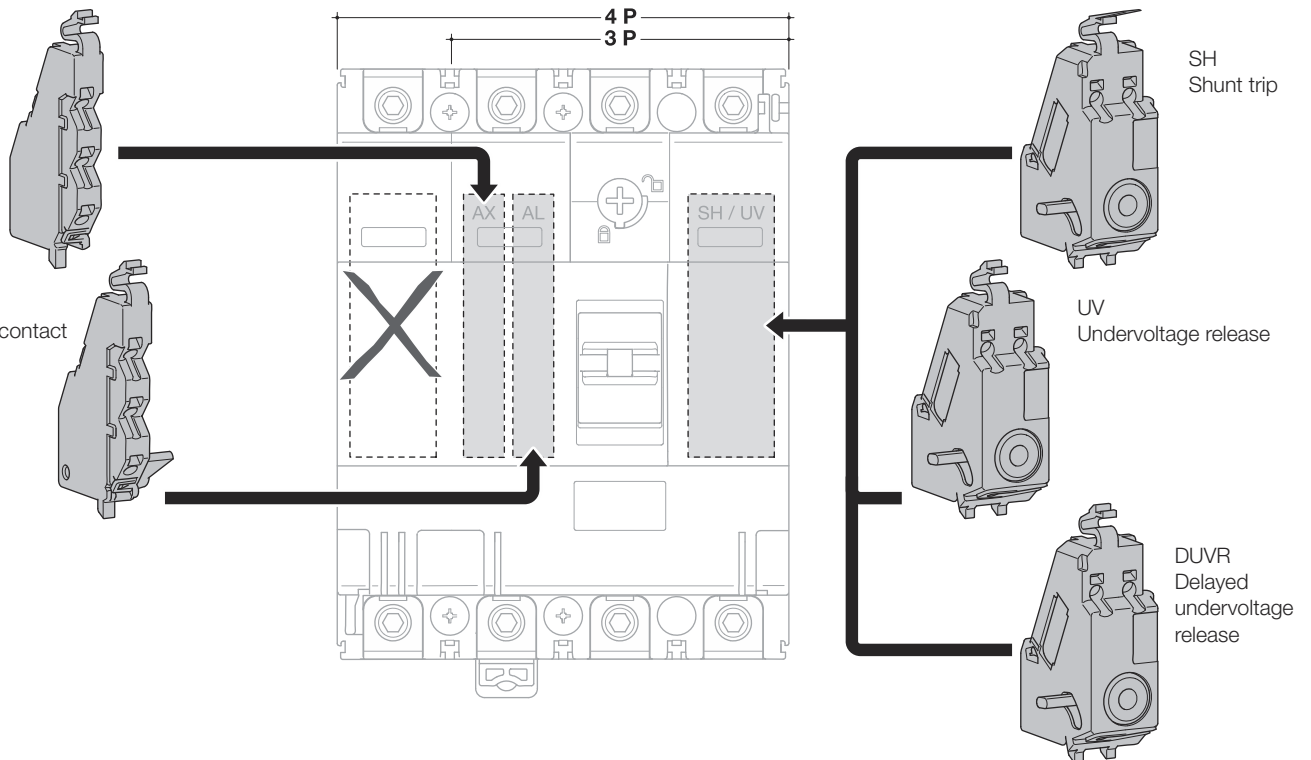
Auxiliaries for MCCBs and trip-free switches

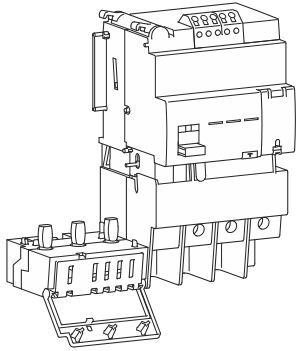


Mounting combination for auxiliaries and releases

AX  
Auxiliary contact

AL  
Alarm contact





When associated with MCCB, the add-on block provides an earth fault protection and protects against electrical shocks by direct or indirect contacts.

The add-on blocks are protected against nuisance tripping caused by transient voltages. It's able to detect sinusoidal alternating currents and residual pulsating direct currents (A type). It also avoids miss tripping (HI type - High Immunity).



### Characteristics

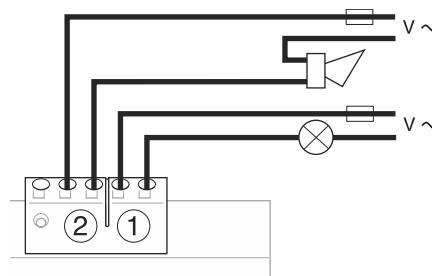
**Reset button :**  
Signals add-on block tripping and must be acknowledged before switching on the installation.

**Test button for differential functioning :**  
Allows to check the electrical operating of the MCCB / Add-on block association.

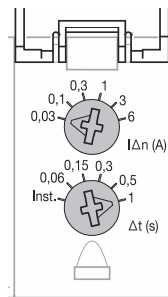
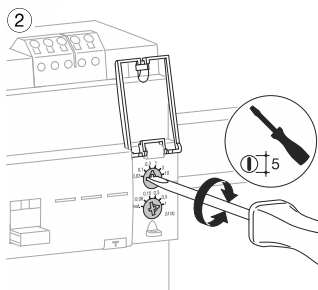
**Mechanical test button :**  
Allows to check the mechanical operating of the MCCB / Add-on block association.

**LED signaling default current level in the installation:**  
25% (orange) and 50% (red)  $I_{\Delta n}$ ; green light to signal correct operating.

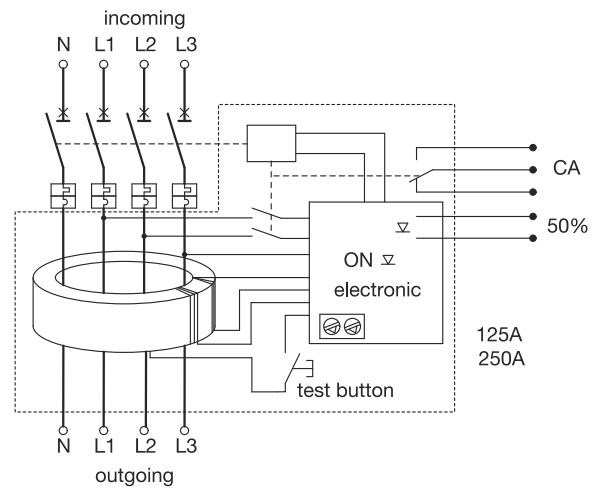
Remote tripping and advanced warning (50%  $I_{\Delta n}$ ) signaling thanks to these contacts:



### Earth leakage current ( $I_{\Delta n}$ ) and delay ( $\Delta t$ ) setting



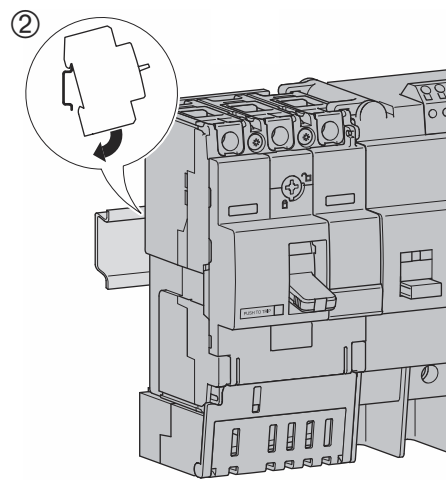
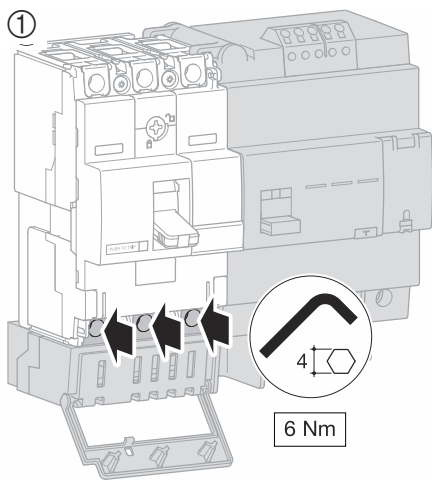
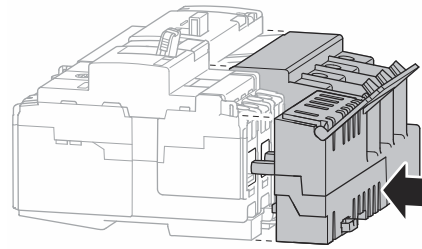
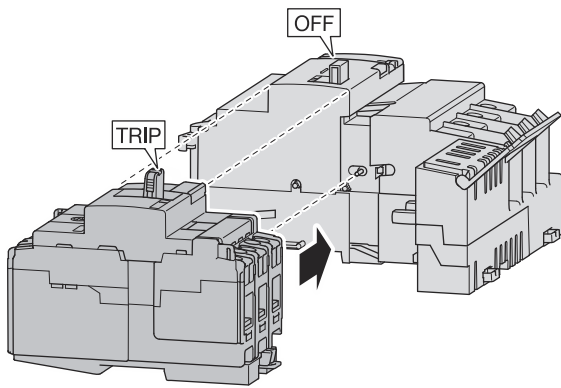
### Add-on block operating



S ( $\Delta t$ )	A ( $I_{\Delta n}$ )						
	0,03	0,1	0,3	1	3	6	
Inst.	OK	OK	OK	OK	OK	OK	
0,06	no	OK	OK	OK	OK	OK	
0,15	no	OK	OK	OK	OK	OK	
0,3	no	OK	OK	OK	OK	OK	
0,5	no	OK	OK	OK	OK	OK	
1	no	OK	OK	OK	OK	OK	



Add-on block mounting

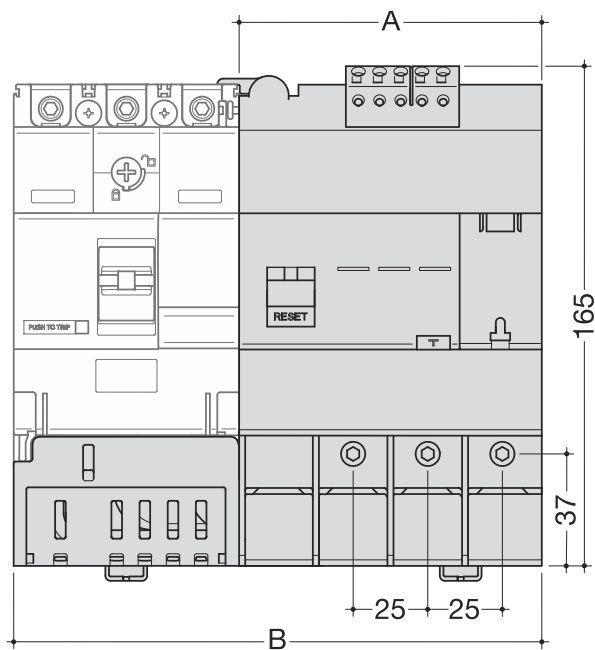


Exclusive drawer assembly system allows quick mounting and makes MCCB and add-on block association a complete monoblock unit.

Reinforced insulation connexion (class II)

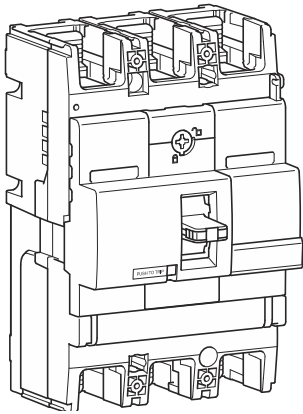
System avoids the omission of terminal tightening

Dimensions



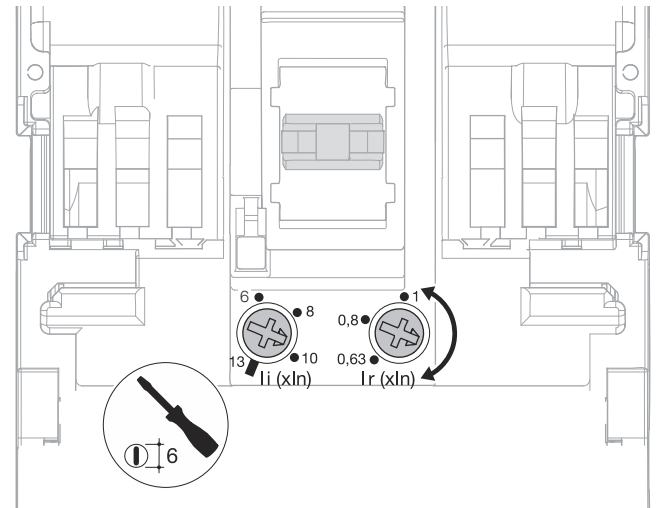
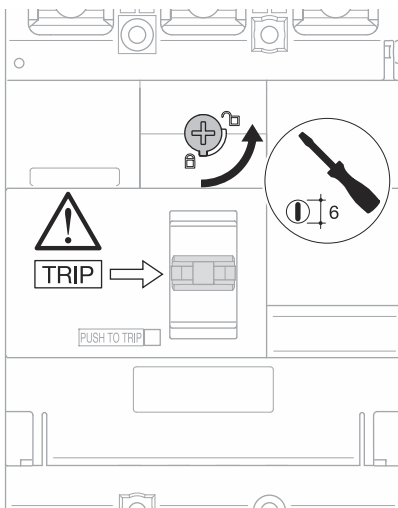
	3P	4P
A (mm)	100	100
B (mm)	174.5	199.5

## MCCBs



		220/240V AC IEC 60 947-2	380/415V AC IEC 60 947-2
HHB	l <sub>cu</sub>	35 kA	25 kA
	l <sub>cs</sub>	25 kA	40 kA
HNB	l <sub>cu</sub>	85 kA	40 kA
	l <sub>cs</sub>	40 kA	20 kA
HCB	l <sub>cm</sub>	-	9 kA
	l <sub>cw</sub>	-	3 kA - 1 s

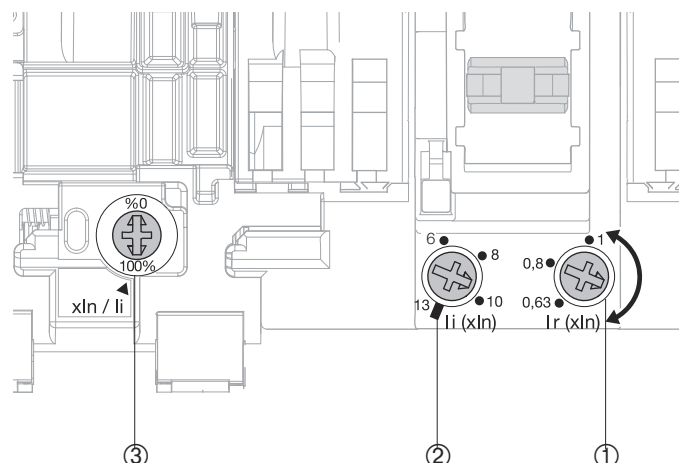
## Magnetic and thermal settings



Thermal adjustment from 0.63 to 1 x I<sub>n</sub>

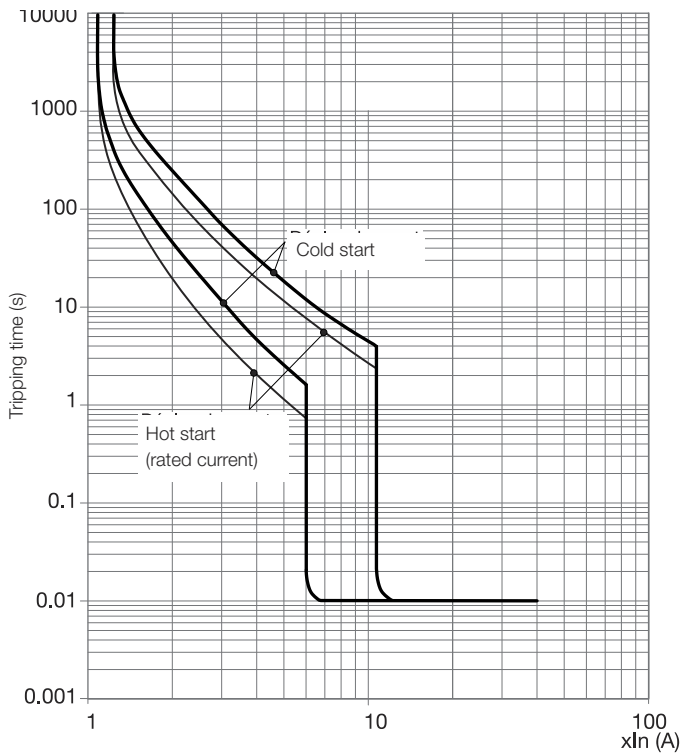
Magnetic adjustment from 6 to 13 x I<sub>n</sub> (100 - 200A)  
from 5 to 11 x I<sub>n</sub> (250A)

	100 - 200A	250A
l <sub>r</sub> (x I <sub>n</sub> ) ①	0.63 - 0.8 - 1 x I <sub>n</sub>	
l <sub>i</sub> (x I <sub>n</sub> ) ②	6 - 8 - 10 - 13 x I <sub>n</sub>	5 - 7 - 9 - 11 x I <sub>n</sub>
x I <sub>n</sub> /l <sub>i</sub> ③	0 - 100%	
	0 - 60%	



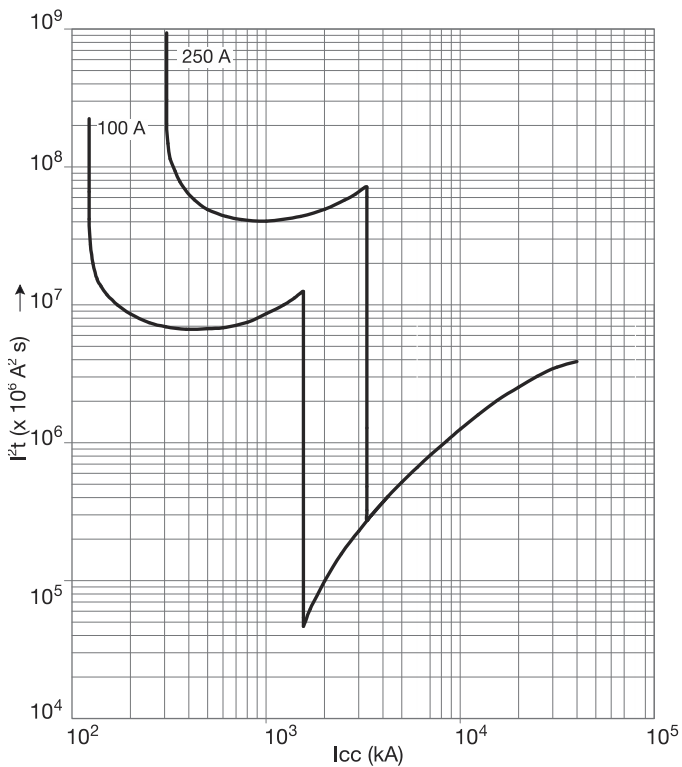
Tripping curve

MCCB x250



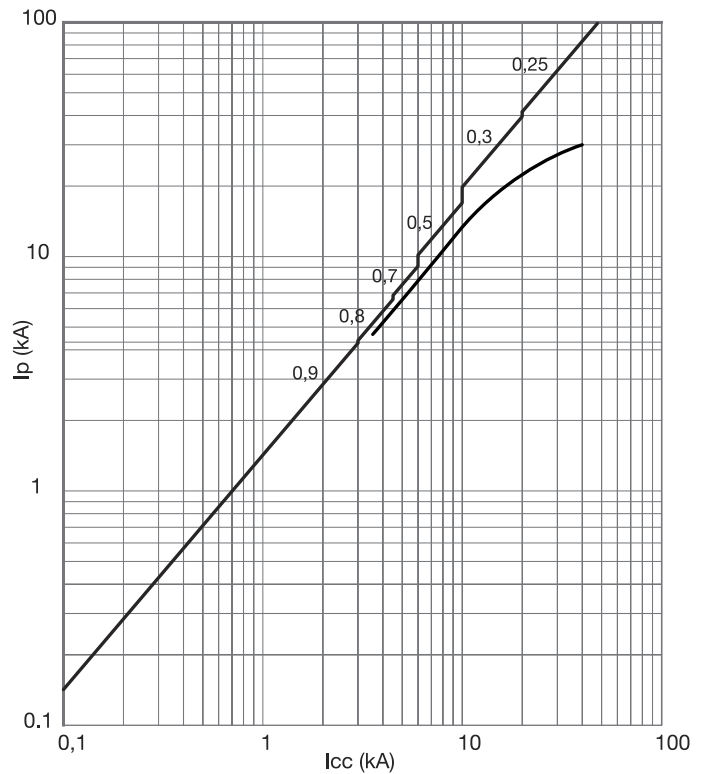
Thermal constraint curve at 400V (Let-through energy)

MCCB x250



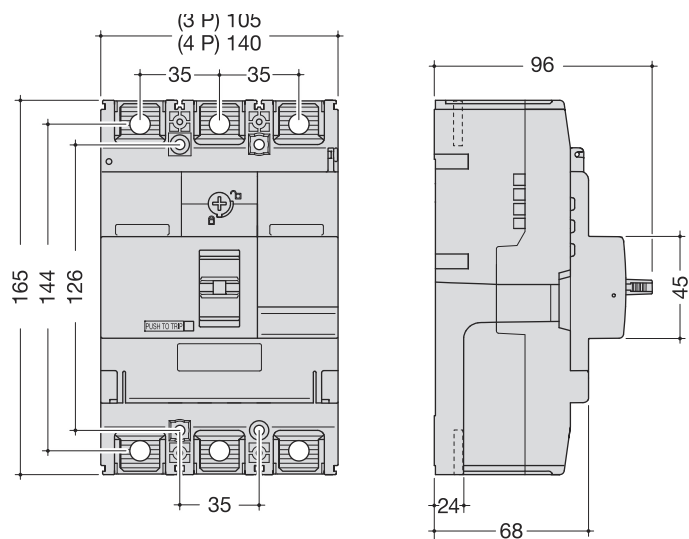
Current limiting curve at 400V (Let-through pick current)

MCCB x250

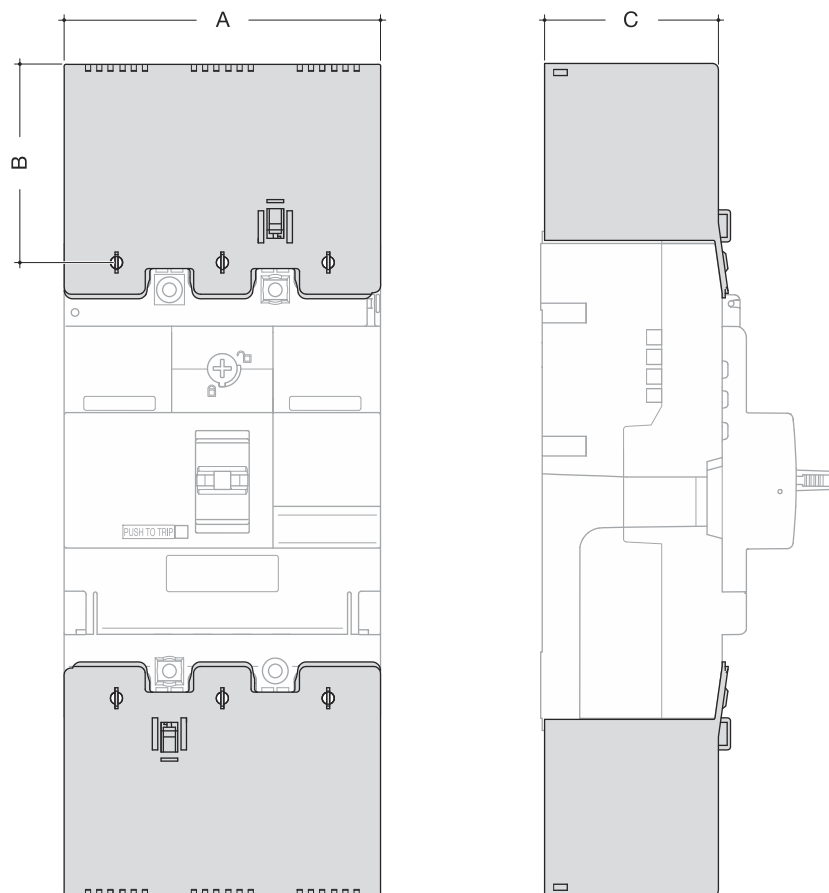


## Dimensions

### MCCB x250



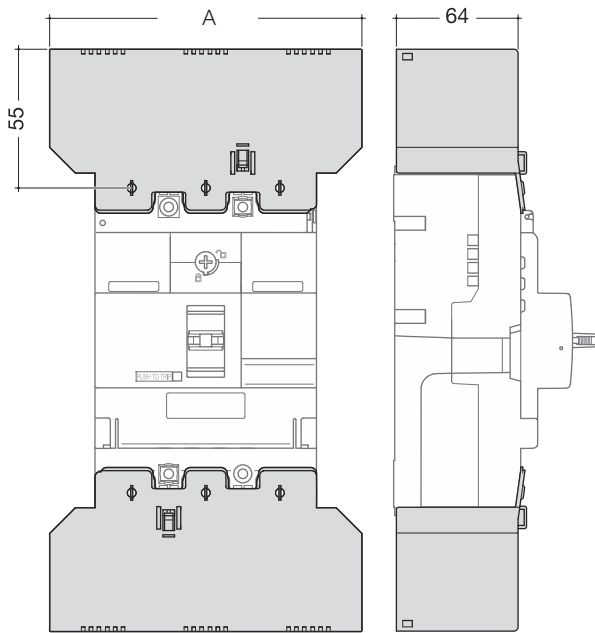
### Terminal covers for extended straight connections



	A (mm)	B (mm)	C (mm)
3P	105	54.5	64
4P	140	54.5	64

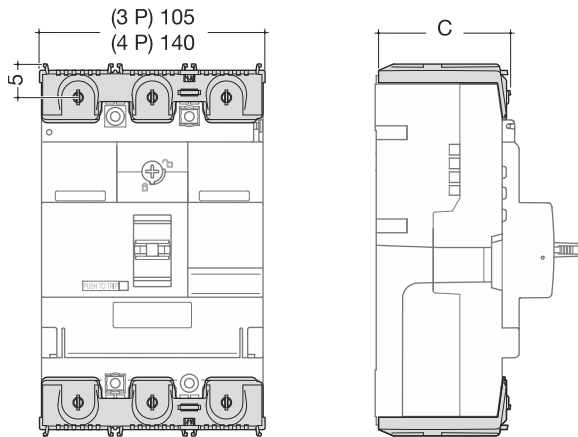
Accessories

Terminal cover for extended spreader connections



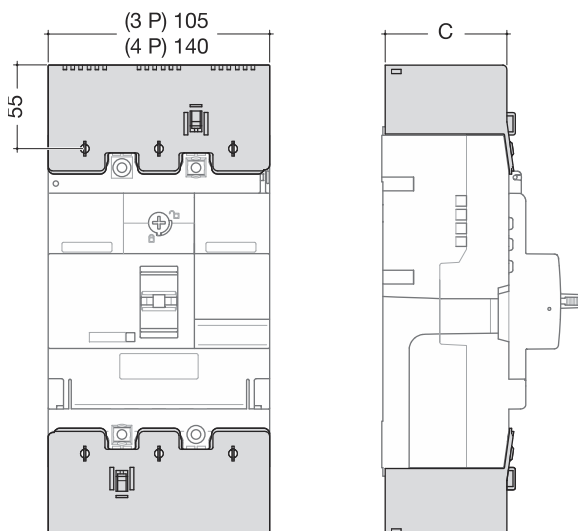
	A (mm)	B (mm)	C (mm)
3P	147.5	54.5	64
4P	196	54.5	64

Terminal cover for rear connections



	A (mm)	B (mm)	C (mm)
3P	105	5	64
4P	140	5	64

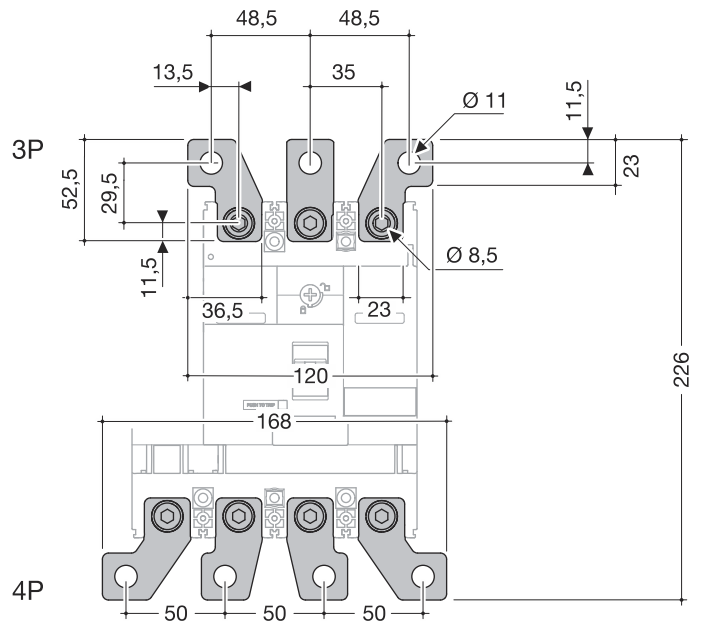
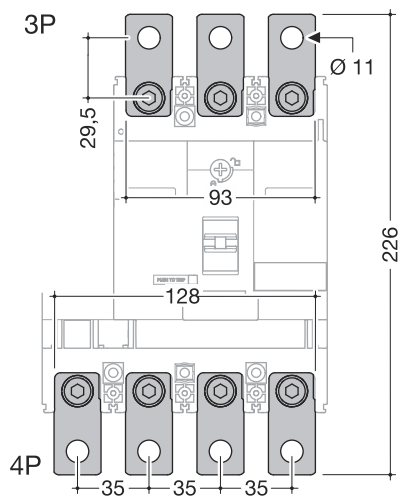
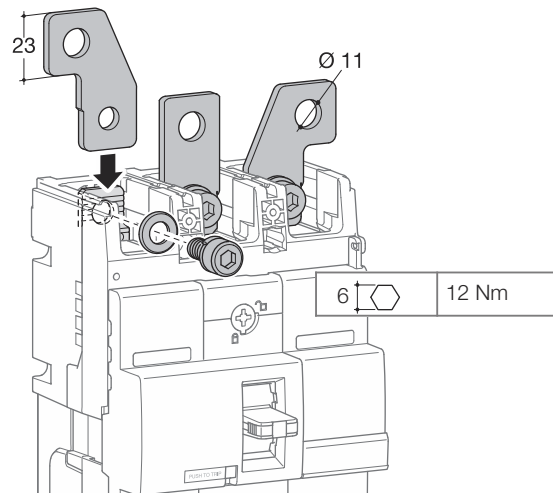
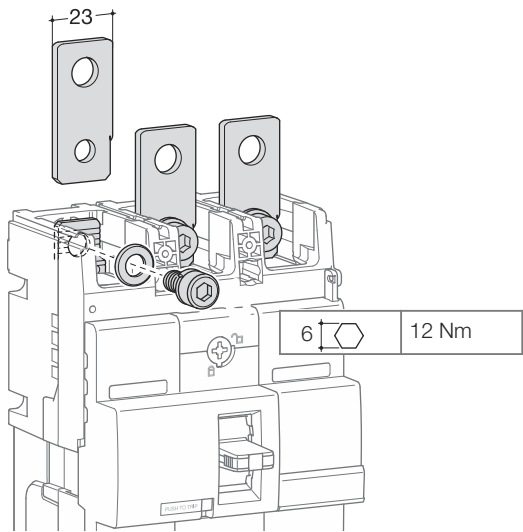
Terminal covers for collar terminals



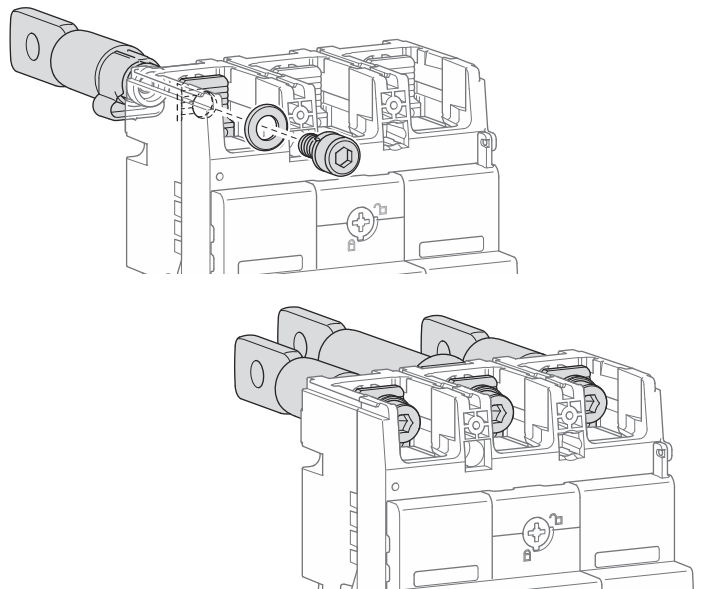
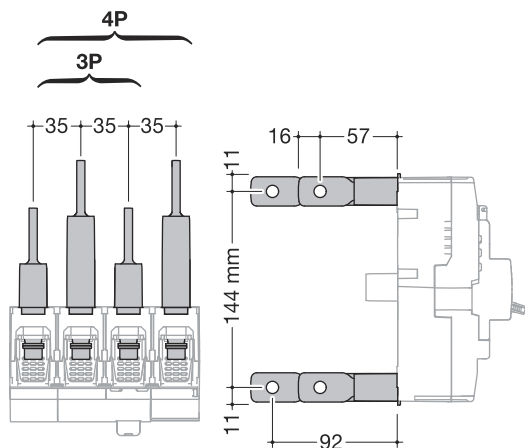
	A (mm)	B (mm)	C (mm)
3P	105	28.5	64
4P	140	28.5	64

## Connection

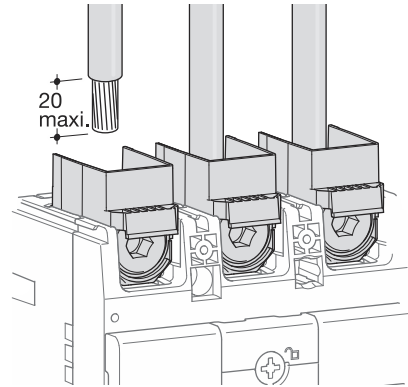
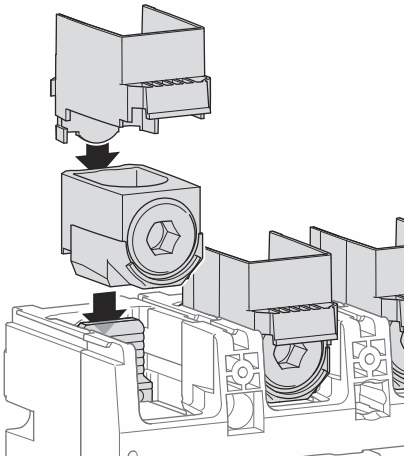
Extended straight and spreader connections



## Rear connections



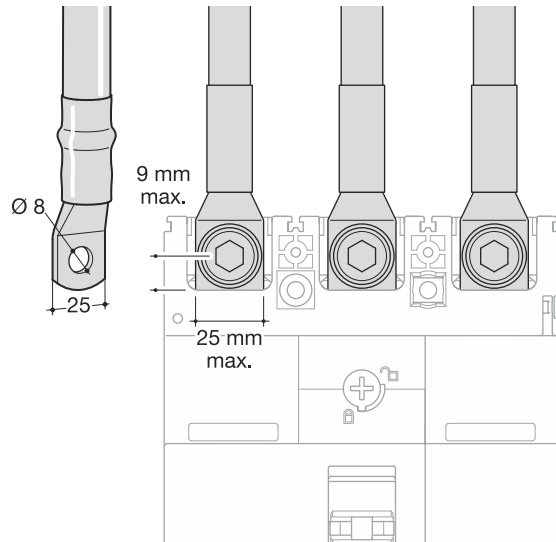
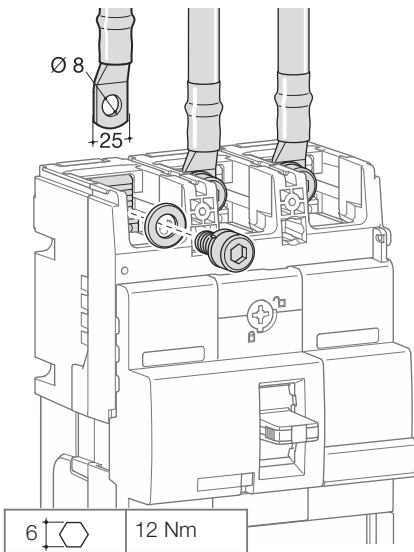
Connection by collar



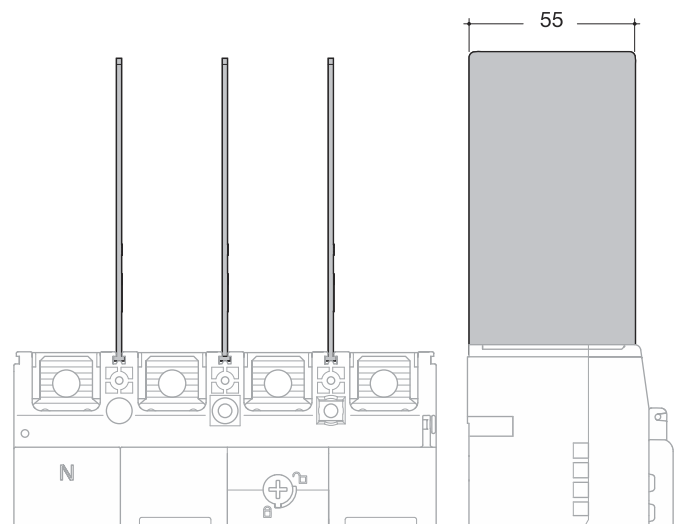
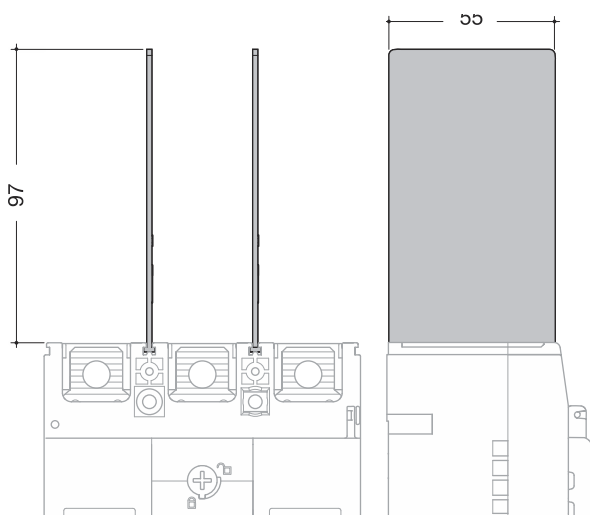
Terminals for aluminium / copper conductors (accessory)  
HYB001H, HYB002H

	min. 35 mm <sup>2</sup>	max. 150 mm <sup>2</sup>
	min. 35 mm <sup>2</sup>	max. 185 mm <sup>2</sup>
	35 mm <sup>2</sup> to 50 mm <sup>2</sup> = 25 Nm 60 mm <sup>2</sup> to 185 mm <sup>2</sup> = 25 Nm	

Connection with end lugs

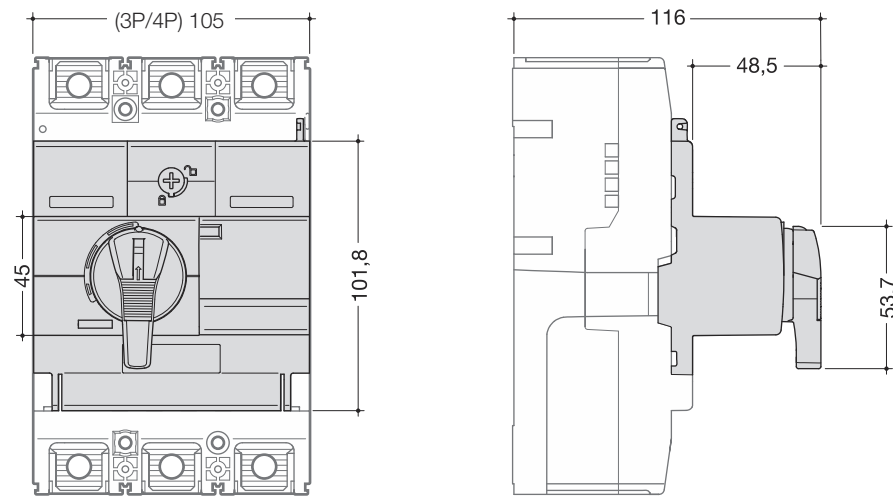


Interphase barriers

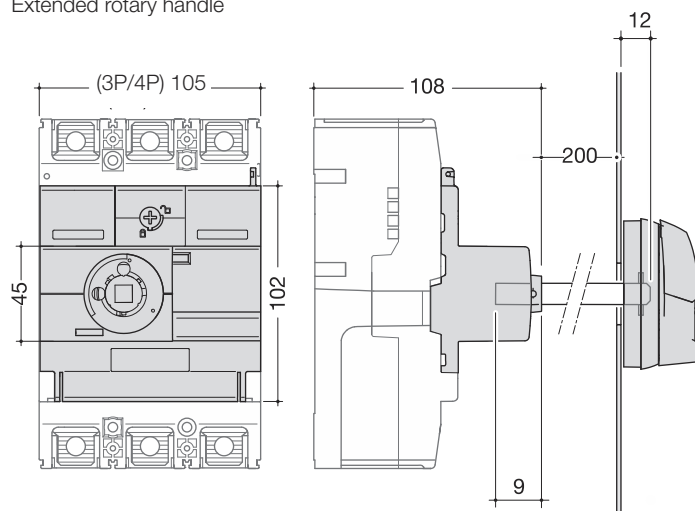


## Accessories

### Rotary handle



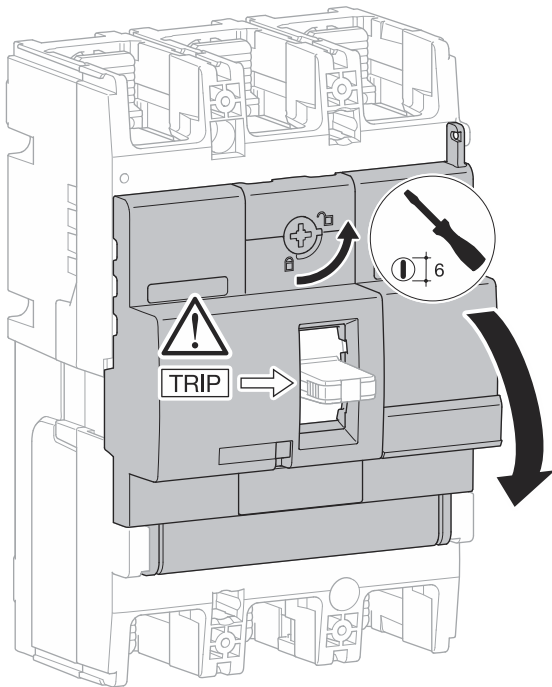
### Extended rotary handle





Auxiliaries

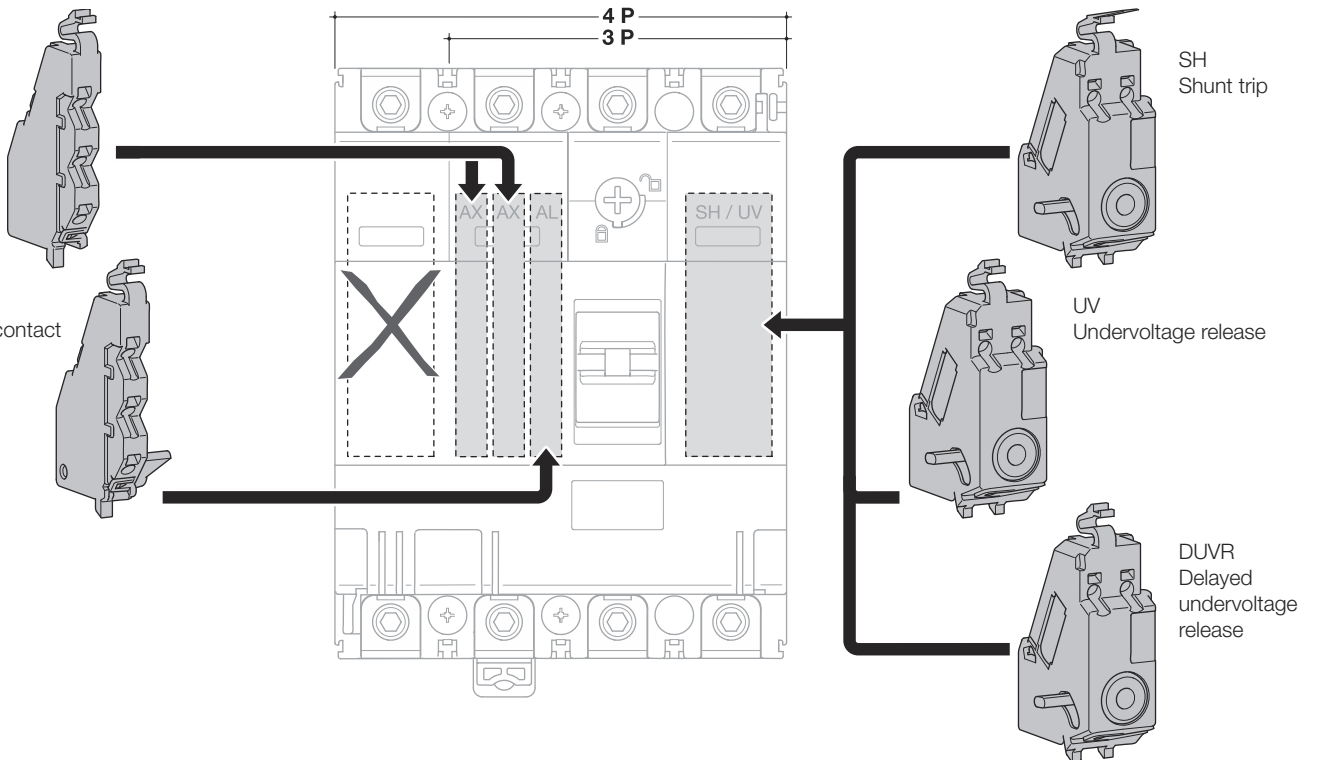
Auxiliaries for MCCBs and trip-free switches

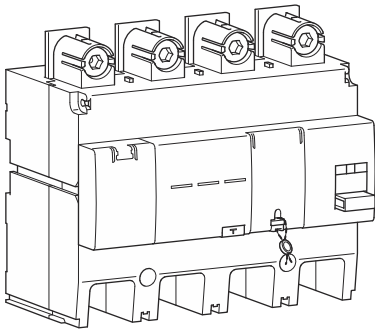


Mounting combination for auxiliaries and releases

AX  
Auxiliary contact

AL  
Alarm contact





When associated with MCCB, the add-on block provides an earth fault protection and protects against electrical shocks by direct or indirect contacts.

The add-on blocks are protected against nuisance tripping caused by transient voltages. It's able to detect sinusoidal alternating currents and residual pulsating direct currents (A type ). It also avoids miss tripping (HI type - High Immunity).

### Characteristics

#### Reset button :

Signals add-on block tripping and must be acknowledged before switching on the installation.

#### Test button for differential operating :

Allows to check the electrical operating of the MCCB / Add-on block association.

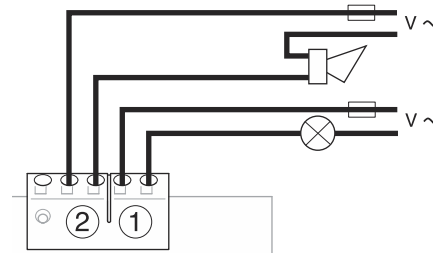
#### Mechanical test button :

Allows to check the mechanical operating of the MCCB / Add-on block association.

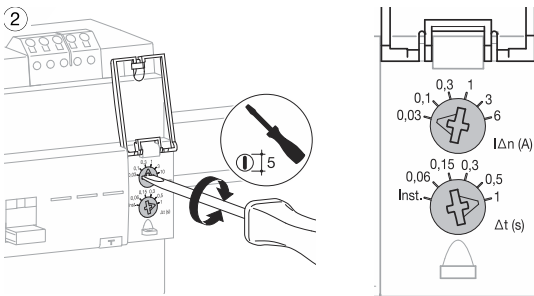
#### LED signaling default current level in the installation:

25% (orange) and 50% (red)  $I_{\Delta n}$ ; green light to signal correct operating.

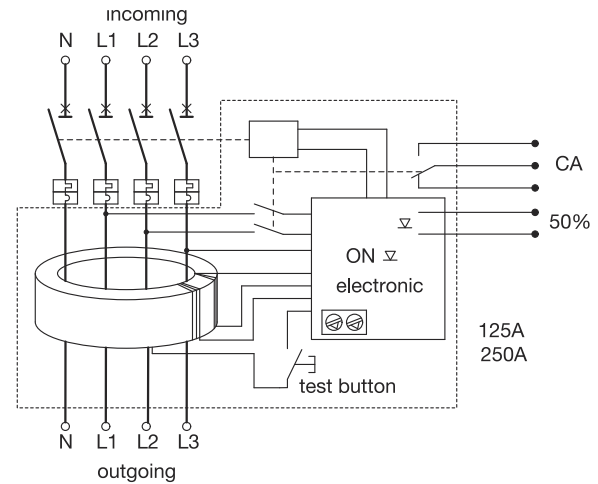
Remote tripping and advanced warning (50%  $I_{\Delta n}$ ) signaling thanks to these contacts:



### Earth leakage current ( $I_{\Delta n}$ ) and delay ( $\Delta t$ ) setting

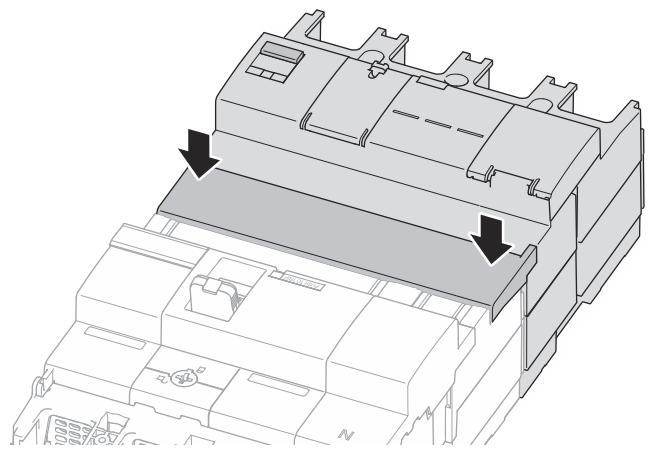
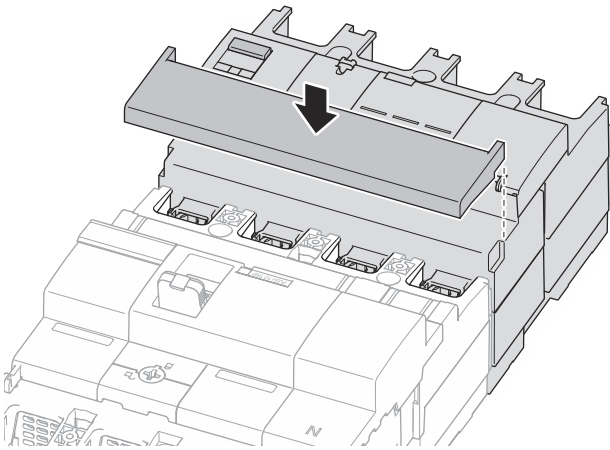
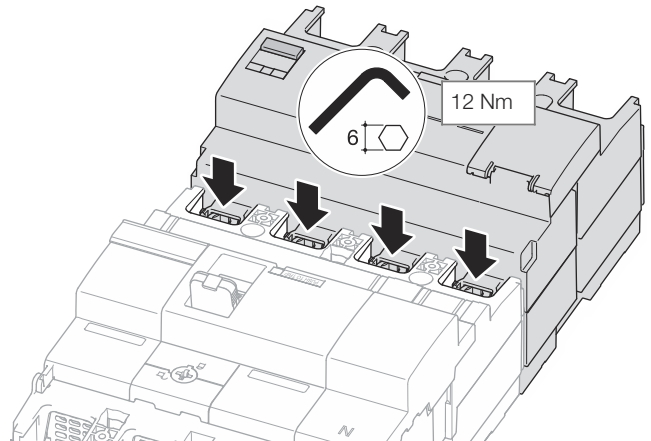
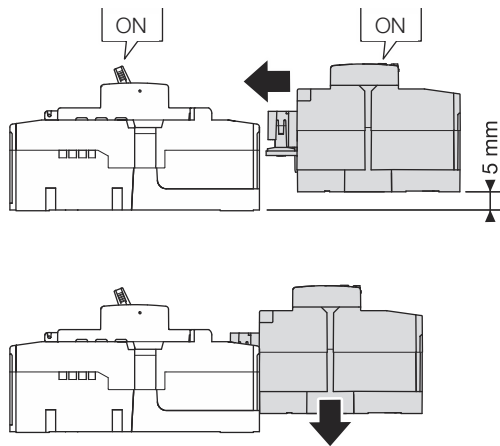


### Add-on block operating

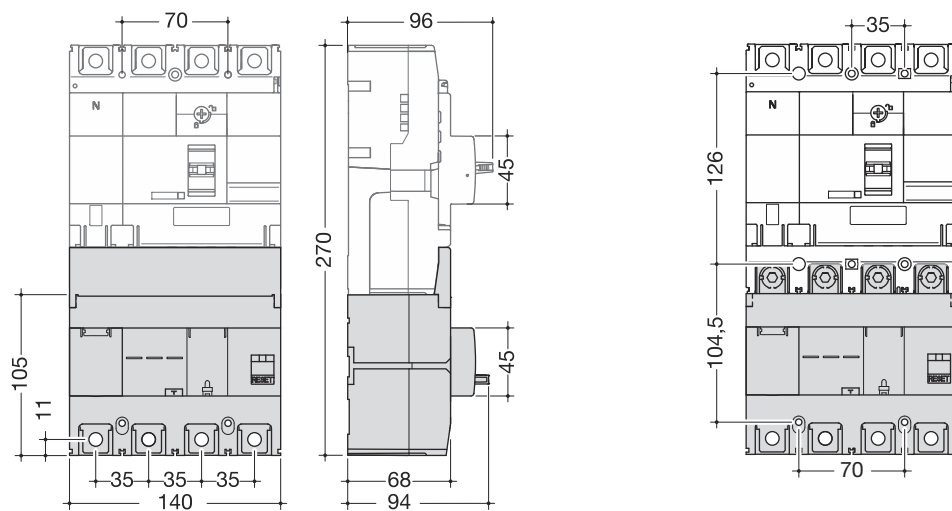


S ( $\Delta t$ )	A ( $I_{\Delta n}$ )						
	0.03	0.1	0.3	1	3	6	
Inst.	OK	OK	OK	OK	OK	OK	
0.06	no	OK	OK	OK	OK	OK	
0.15	no	OK	OK	OK	OK	OK	
0.3	no	OK	OK	OK	OK	OK	
0.5	no	OK	OK	OK	OK	OK	
1	no	OK	OK	OK	OK	OK	

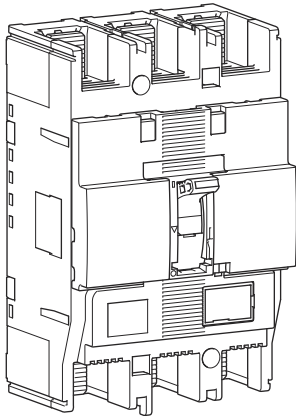
Add-on block mounting



Dimensions

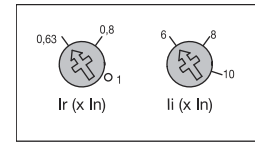


## MCCBs



		220/240 V	380/415 V	660/690 V
		AC (kA)	AC (kA)	AC (kA)
HHG	I <sub>cu</sub>	35	25	-
	I <sub>cs</sub>	27	19	-
HNG	I <sub>cu</sub>	35	50	-
	I <sub>cs</sub>	65	25	-
HEG	I <sub>cu</sub>	85	65	-
	I <sub>cs</sub>	85	36	-
HNC	I <sub>cu</sub>	85	50	7.5
	I <sub>cs</sub>	85	25	7.5
HEC	I <sub>cu</sub>	100	70	20
	I <sub>cs</sub>	100	70	15

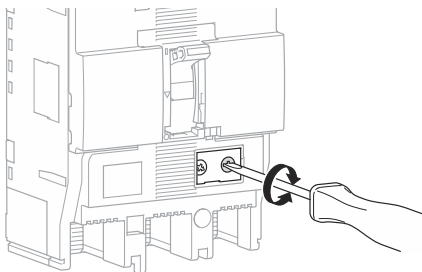
### Magnetic and thermal settings



Thermal adjustment from 0.63 to 1 x I<sub>n</sub>

Magnetic adjustment from 6 to 10 x I<sub>n</sub> (250A)  
from 6 to 13 x I<sub>n</sub> (160 and 200A)  
from 6 to 12 x I<sub>n</sub> (32, 63, 100 and 125A)

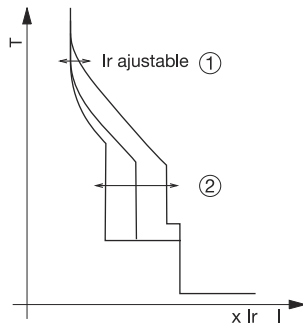
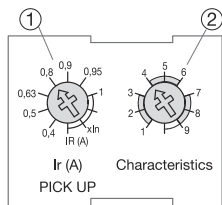
### Electronic trip unit setting (LSI)



L - Long delay - protection against overloads: I<sub>r</sub> and t<sub>r</sub> settings

S - Short delay - protection against short circuits: I<sub>sd</sub> and t<sub>sd</sub> settings

I - Instantaneous - max. instantaneous threshold (< 10 ms) in case of short circuit: 2,5 to 10 x I<sub>r</sub>.

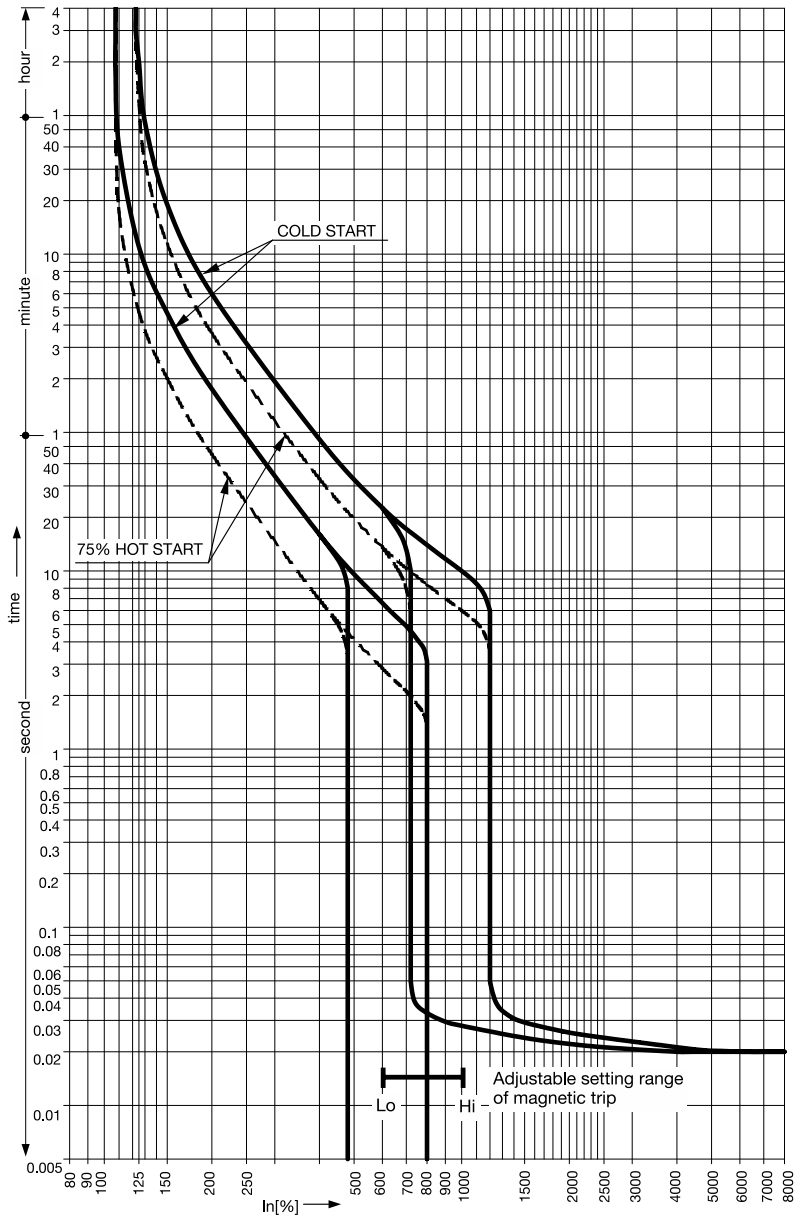


Use	Characteristics (*)	
	3 P	4 P
Generator protection	pos. 1	pos. 1, 4 and 7
Standard protection	pos. 2 and 3	pos. 2, 5 and 8
Motor protection	pos. 4 and 5	pos. 3, 6 and 9

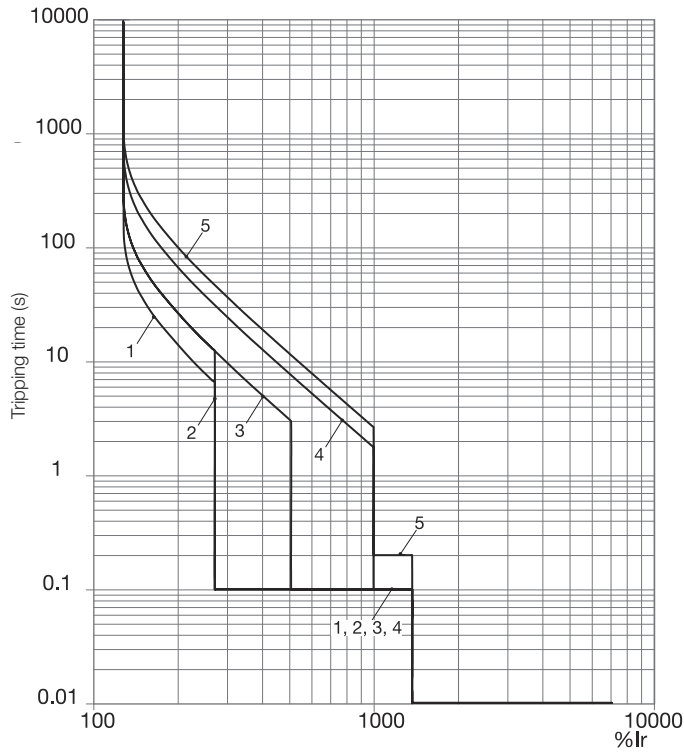
LSI		In A									
		3P					4P				
		Long Time Delay		Short Time Delay		Inst	Long Time Delay		Short Time Delay		Inst
I <sub>r</sub> (x I <sub>n</sub> )	t <sub>r</sub> (s)	I <sub>sd</sub> (x I <sub>r</sub> )	t <sub>sd</sub> (s)	I <sub>i</sub> (x I <sub>r</sub> )	I <sub>r</sub> (x I <sub>n</sub> )	t <sub>r</sub> (s)	I <sub>sd</sub> (x I <sub>r</sub> )	t <sub>sd</sub> (s)	I <sub>i</sub> (x I <sub>r</sub> )	Neutral	
I <sub>r</sub> (x I <sub>n</sub> )	0.4	OK				OK					
	0.5	OK				OK					
	0.63	OK				OK					
	0.8	OK				OK					
	0.9	OK				OK					
	0.95	OK				OK					
	1	OK				OK					
Characteristics	1	11 s at 2 x I <sub>r</sub>	2.5	0.1	14 (max 12 x I <sub>n</sub> )		11 s at 2 x I <sub>r</sub>	2.5	0.1	14 (max 10 x I <sub>n</sub> )	no
	2	21 s at 2 x I <sub>r</sub>					21 s at 2 x I <sub>r</sub>				
	3		7.5 s at 6 x I <sub>r</sub>	10			0.2				
	4	5 s at 6 x I <sub>r</sub>	10	11 s at 2 x I <sub>r</sub>	2.5			0.1	50%		
	5	7.5 s at 6 x I <sub>r</sub>		21 s at 2 x I <sub>r</sub>			10				
	6			7.5 s at 6 x I <sub>r</sub>	2.5		0.2				
	7			11 s at 6 x I <sub>r</sub>	2.5		0.1	100%			
	8			21 s at 2 x I <sub>r</sub>	5						
	9			21 s at 2 x I <sub>r</sub>	10		0.2				

Tripping curve

MCCB h250 TM

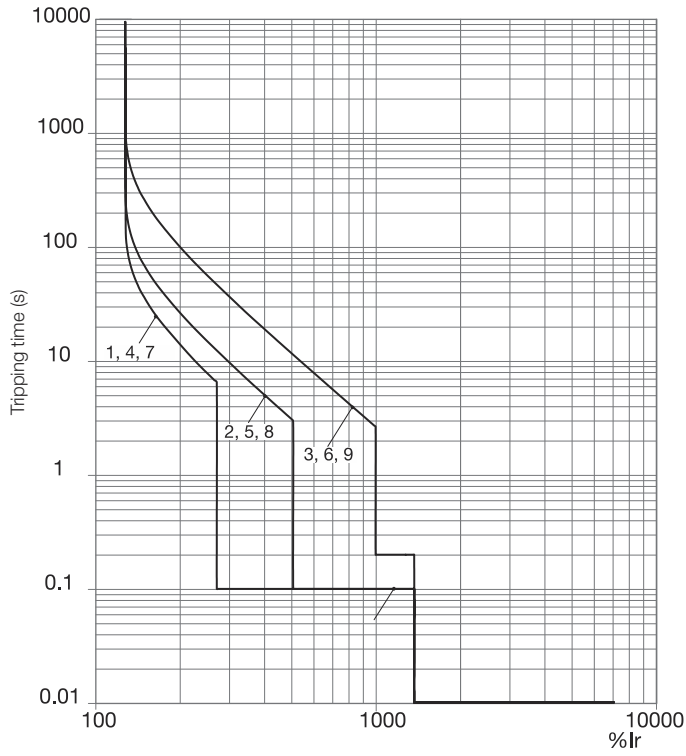


MCCB h250 3P LSI



LTD pick-up current		Ir	x In	0.4	0.5	0.63	0.8	0.9	0.95	1
Characteristics			No.	1	2	3	4	5		
Standard	LTD	T <sub>r</sub>	(s)	11	21	21	5	7.5		
				200 % x Ir				600 % x Ir		
	STD	Isd	x Ir	2.5	2.5	5	10	10		
		tsd	(s)	0.1	0.1	0.1	0.1	0.2		
INST	li	x Ir	14 (max 13 x In)							

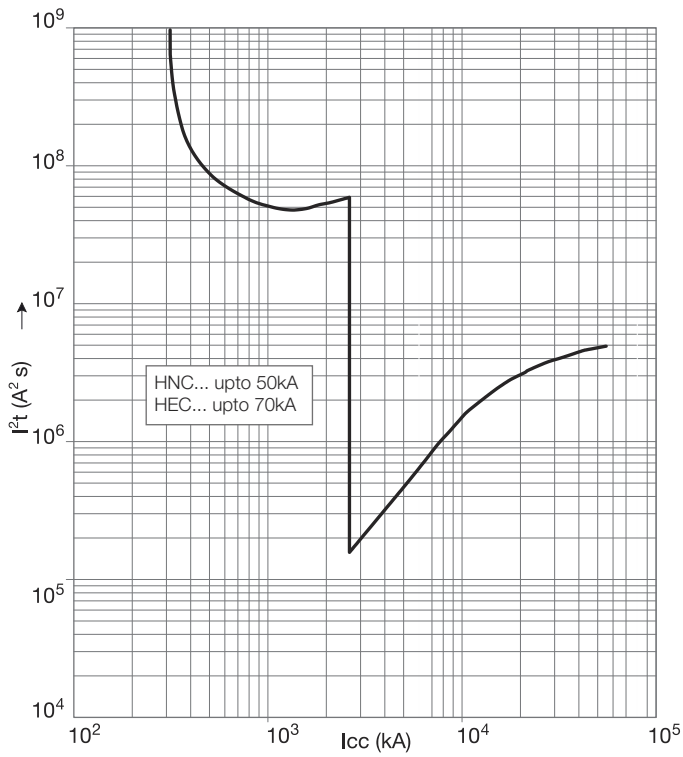
MCCB h250 4P LSI



LTD pick-up current		Ir	x In	0.4	0.5	0.63	0.8	0.9	0.95	1		
Characteristics			No.	1	2	3	4	5	6	7	8	9
LTD	Tr	(s)	11 s	21 s	7.5 s	11 s	21 s	7.5 s	11 s	21 s	7.5 s	
			200 % x Ir		600% x Ir		200 % x Ir		600% x Ir		200 % x Ir	
STD	Isd	x Ir	2.5	5	10	2.5	5	10	2.5	5	10	
		(s)	0.1		0.2	0.1		0.2	0.1		0.2	
INST		x Ir	14 (max 13 x In)									
Neutral protection			no			0.5			1			

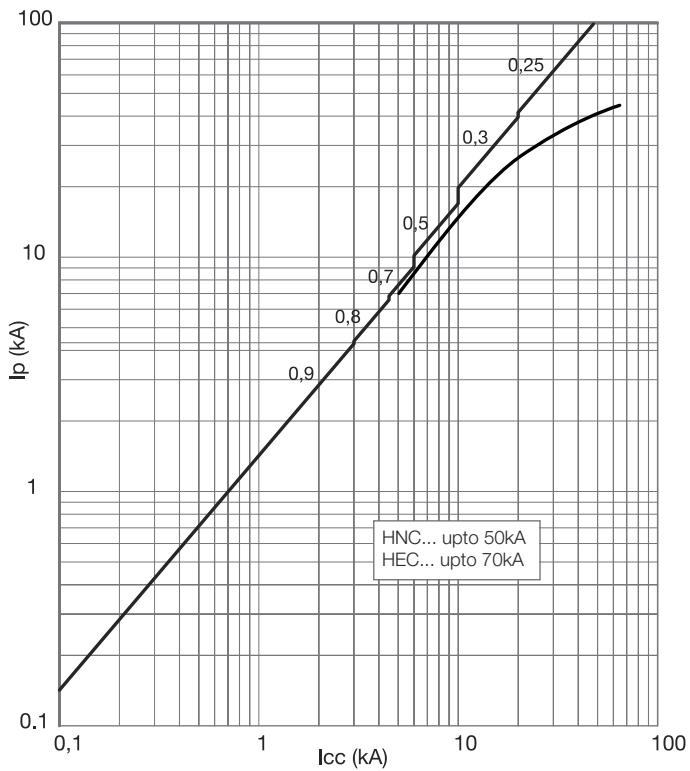
Thermal constraint curve at 400V (Let-through energy)

MCCB h250



Current limiting curve at 400V (Let-through peak current)

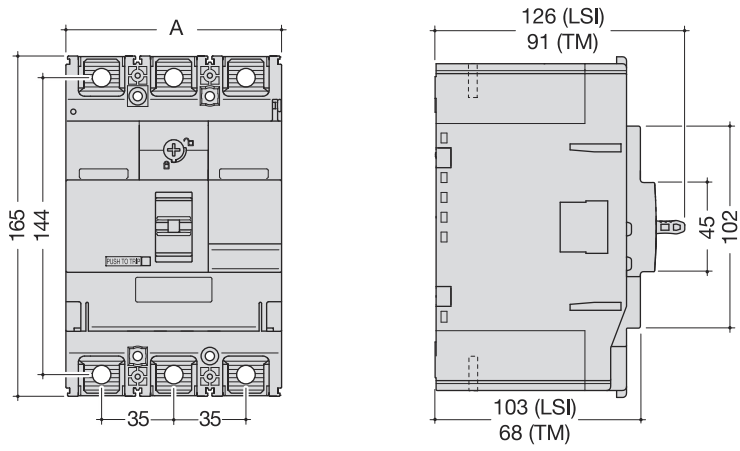
MCCB h250





Dimensions

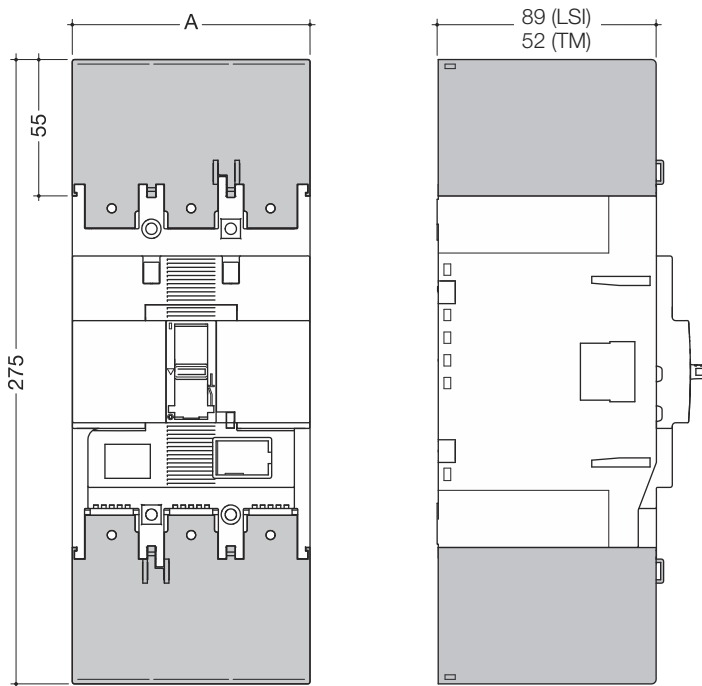
MCCBs



	A (mm)
3P	105
4P	140

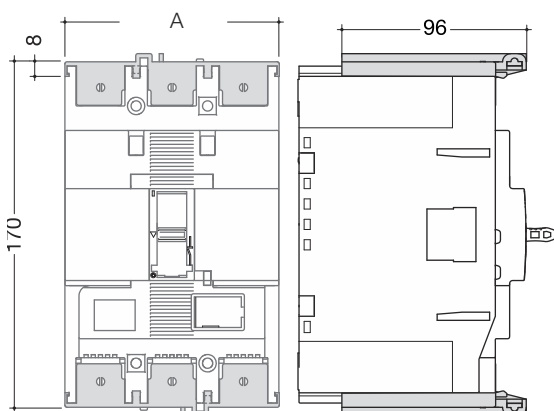
Accessories

Terminal covers for extended straight connections



	A (mm)
3P	105
4P	140

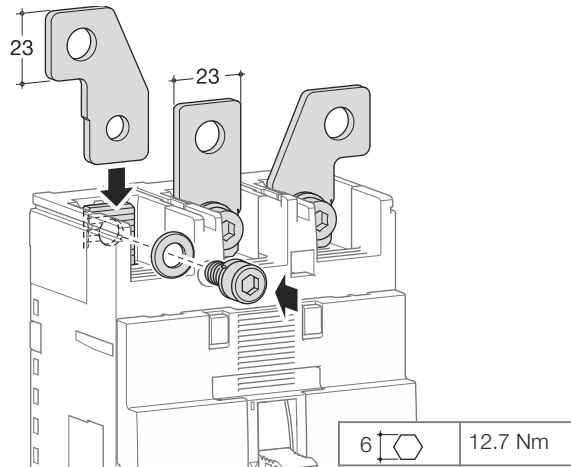
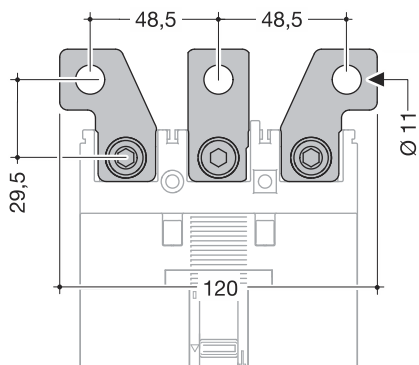
Terminal cover for rear connections (LSI only)



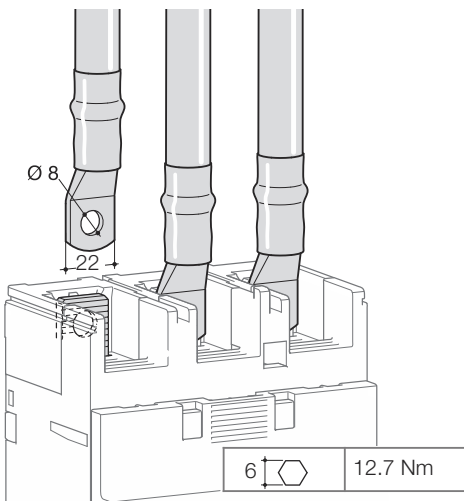
	A (mm)
3P	105
4P	140

## Connection

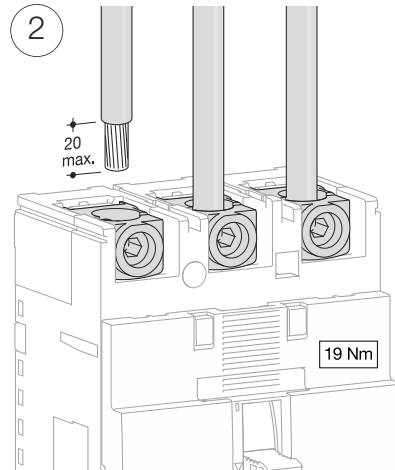
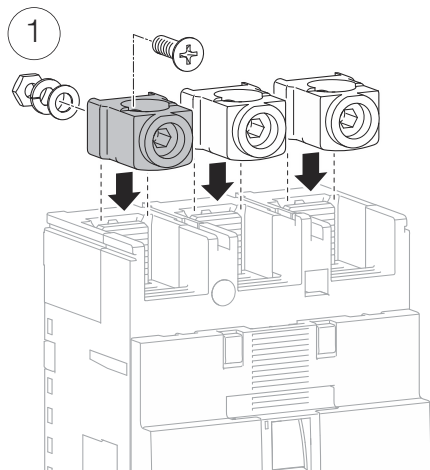
Extended straight and spreader connections



## Connection with end lugs



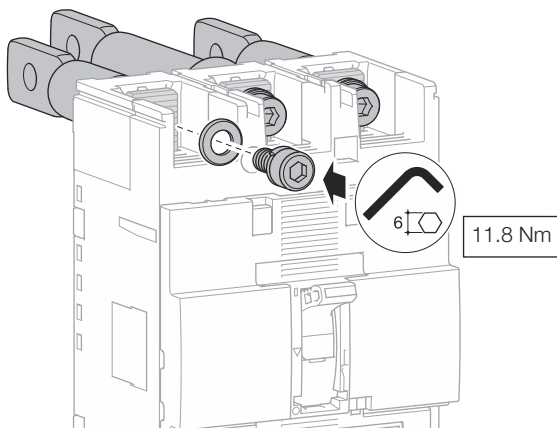
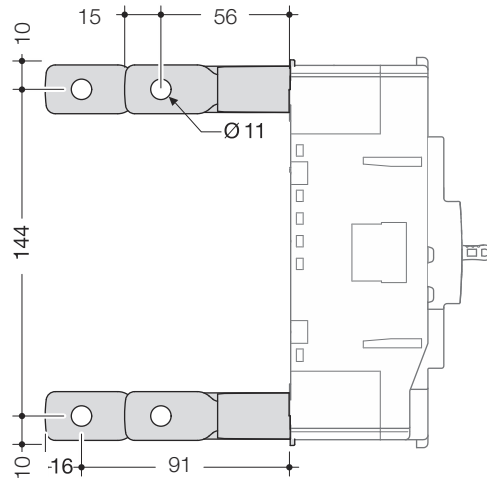
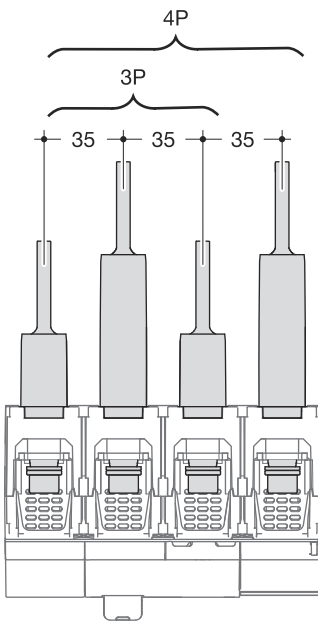
## Connection by collar



Terminals for copper conductors  
HYC003H, HYC004H

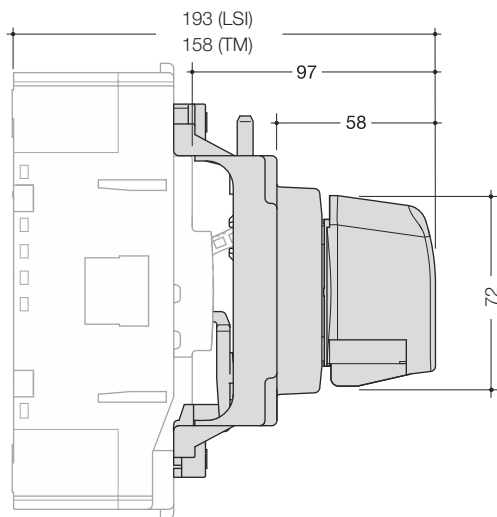
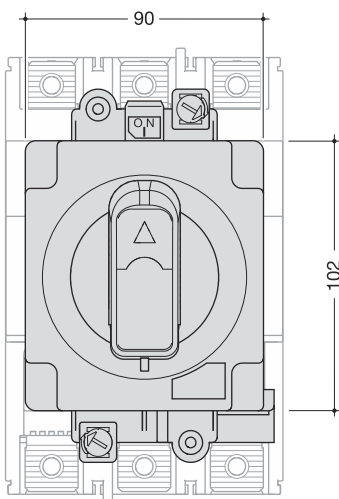
	min. 35 mm <sup>2</sup>	max. 120 mm <sup>2</sup>
	min. 35 mm <sup>2</sup>	max. 120 mm <sup>2</sup>
6	19 Nm	

Rear connections (LSI only)

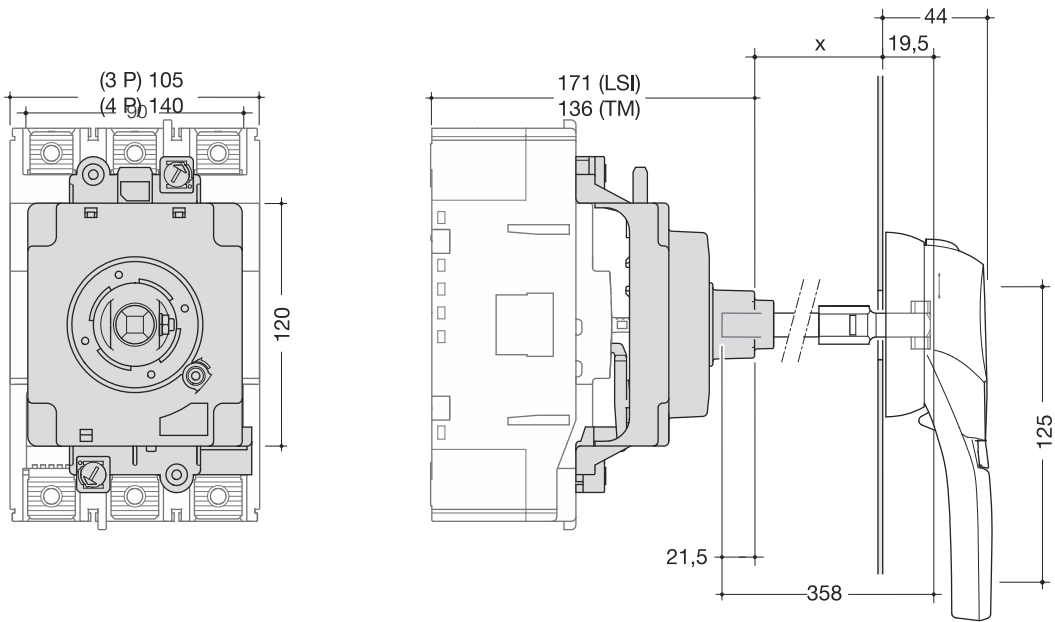


Accessories

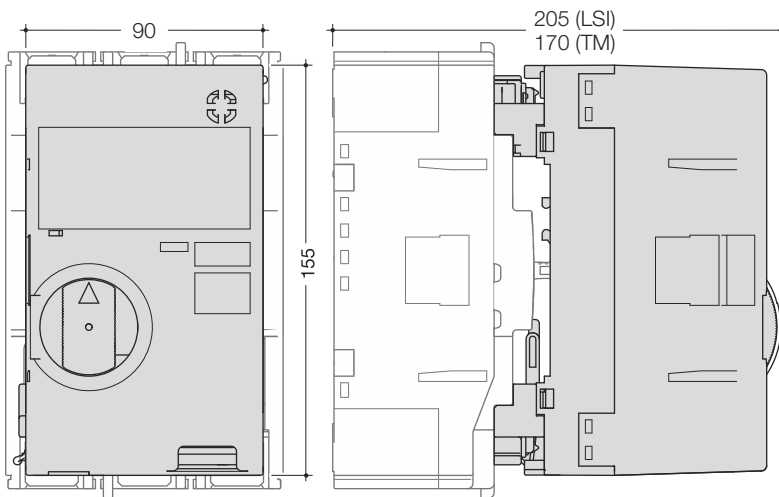
Direct rotary handle



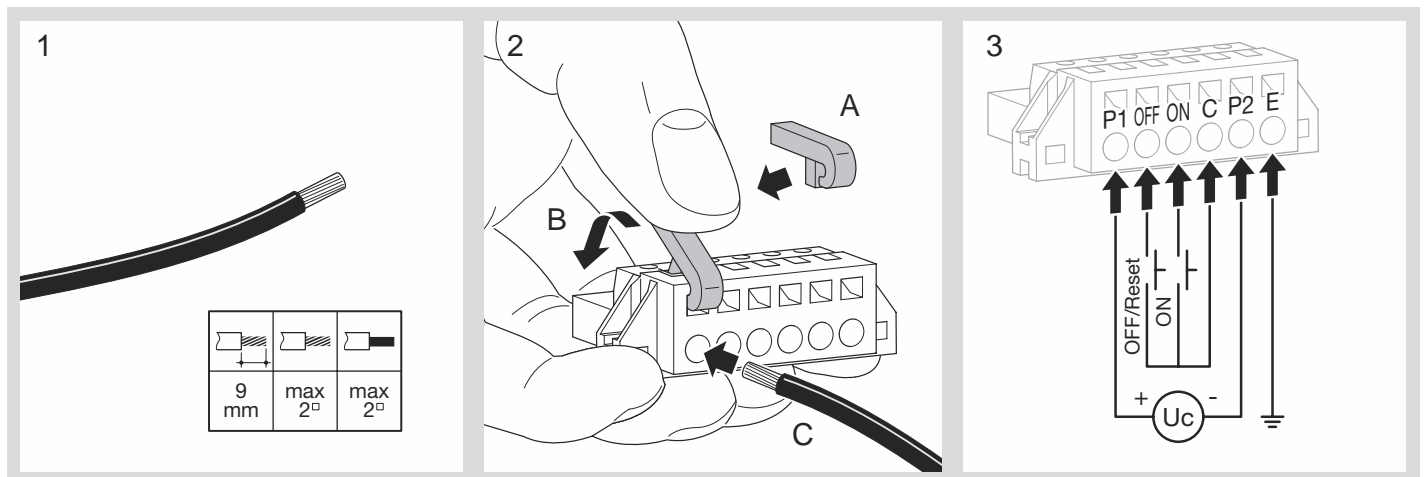
## Extended rotary handle



## Motor operator

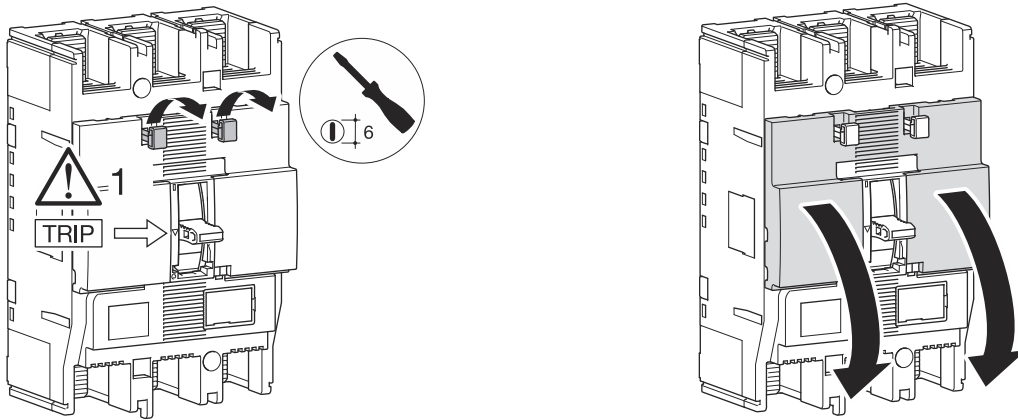


		HXC040H	HXC042H
Operating voltage		24V DC	230-240V AC
Operating current / starting current peak value (A)	24V DC	18/26	-
	230-240V AC	-	3.5/7
Operating time (s)	(ON)	0.1s	
	(OFF)	0.1s	
	(RESET)	0.1s	
Power supply required		300VA min.	
Dielectric properties (1 min)		1000V AC	1500V AC

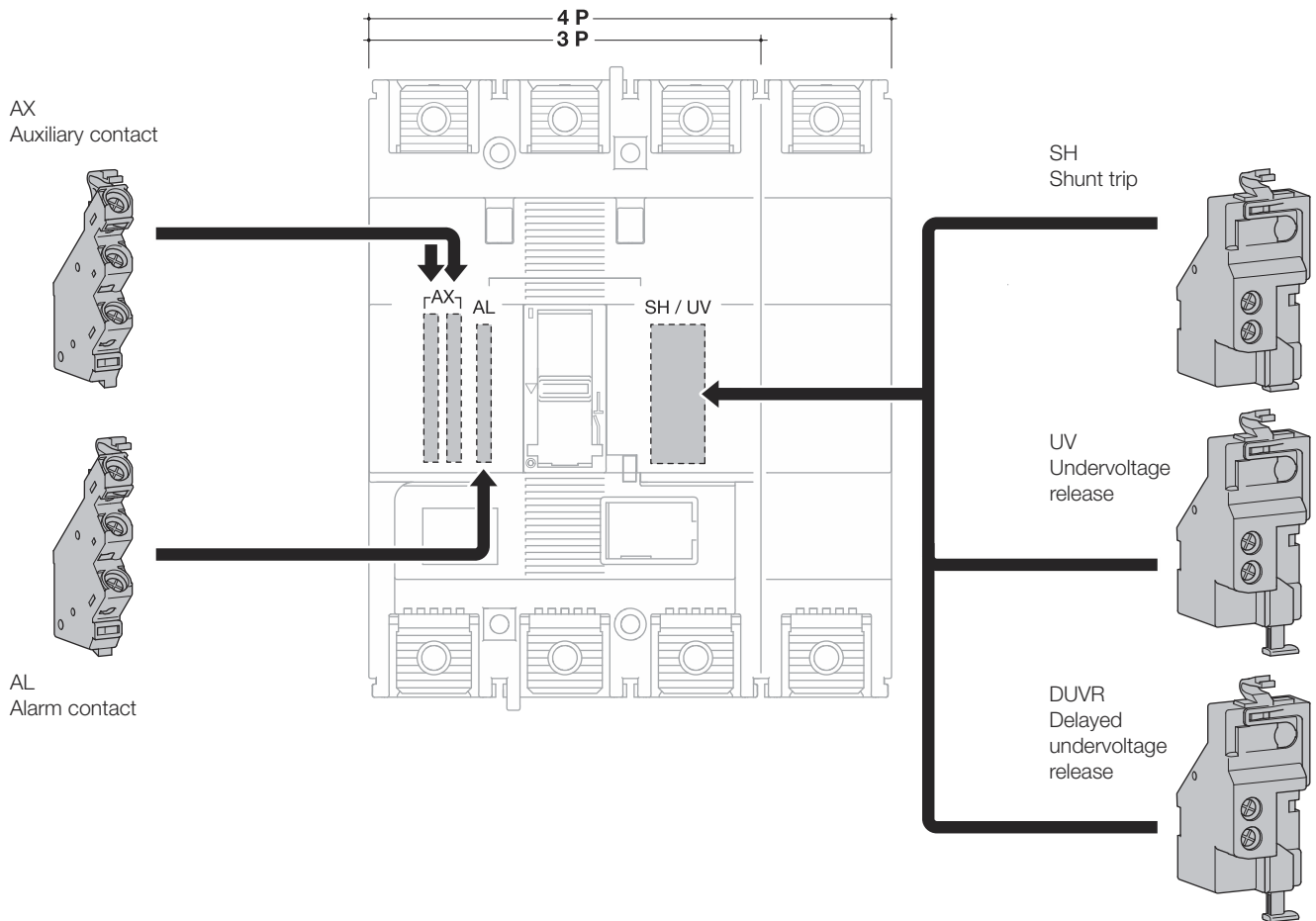


Auxiliaries

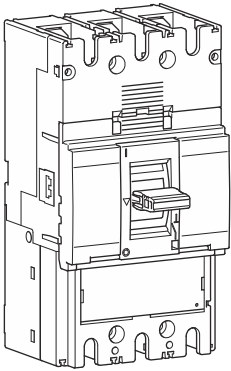
Auxiliaries for MCCBs and trip-free switches



Mounting combination for auxiliaries and releases

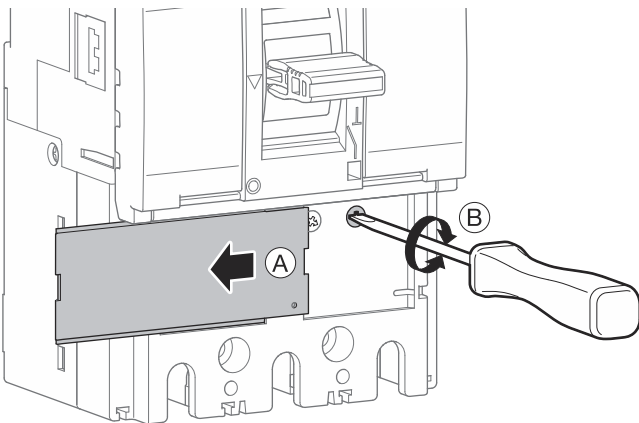


### MCCBs

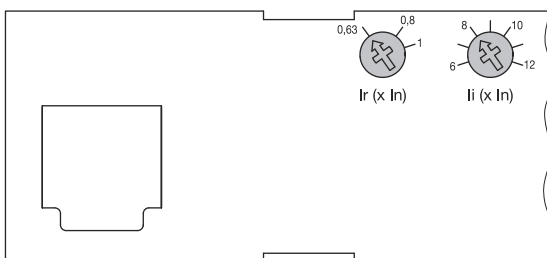


		220/240 V AC (kA)	380/415 V AC (kA)	660/690 V AC (kA)
h400/h630 HND	l <sub>cu</sub>	85	50	20
	l <sub>cs</sub>	85	50	15
h630 HED	l <sub>cu</sub>	100	70	20
	l <sub>cs</sub>	85	50	15
h630 HCD	l <sub>cm</sub>	–	9	–
	l <sub>cw</sub>	–	5 kA-0.3 s	–

### Settings



### Magnetic and thermal settings



Thermal adjustment from 0.63 to 1 x I<sub>n</sub>

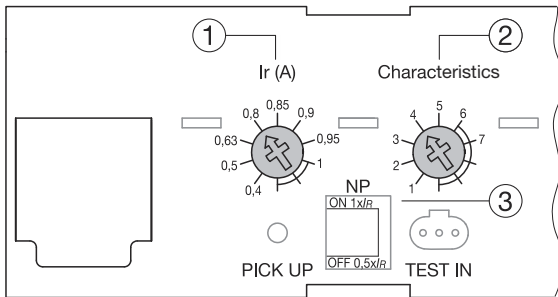
Magnetic adjustment from 6 to 12 x I<sub>n</sub>

Electronic trip unit setting (LSI)

L - Long delay - protection against overloads: Ir and tr settings

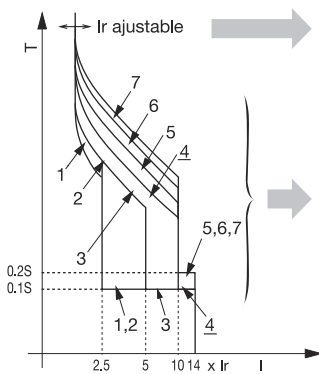
S - Short delay - protection against short circuits: Isd and tsd settings

I - Instantaneous - max. instantaneous threshold (< 10 ms) in case of short circuit: 2.5 to 10 x Ir (250 - 400A) and 2.5 to 8 x Ir (630A).



Neutral settings:

- ① Long delay current Ir setting
- ② Other curve characteristics setting (tr, Isd, tsd)
- ③ Neutral protection against overloads setting

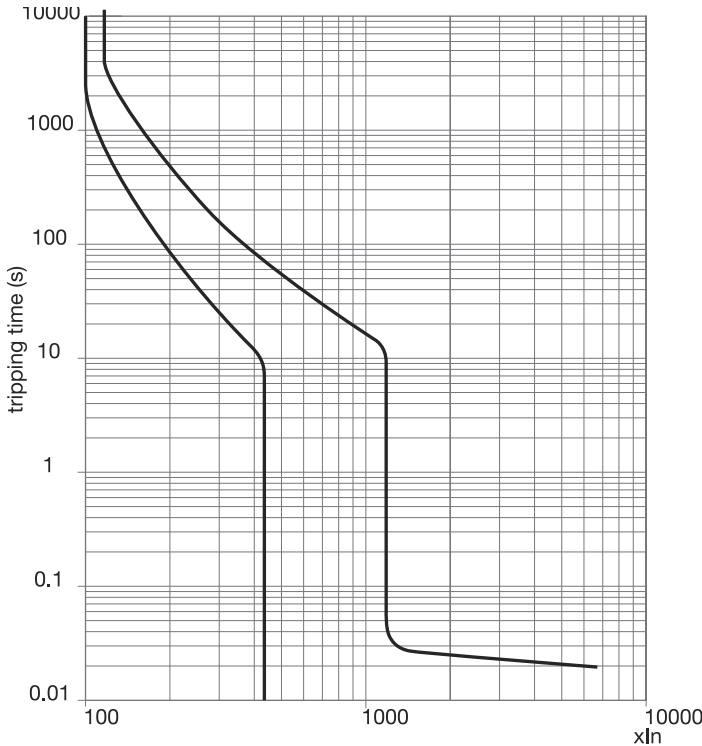


LSI	In A									
	250 A / 400 A					630 A				
	Long Time Delay		Short Time Delay		Inst	Long Time Delay		Short Time Delay		Inst
	Ir (x In)	tr (s)	isd (xlr)	tsd (s)	li (xlr)	Ir (x In)	tr (s)	isd (xlr)	tsd (s)	li (xlr)
① Ir (x In)	0.4	OK				OK				
	0.5	OK				OK				
	0.63	OK				OK				
	0.8	OK				OK				
	0.85	-				OK				
	0.9	OK				OK				
	0.95	OK				OK				
	1	OK				OK				
② Characteristics	1	11 s at 2 xlr	2.5	0.1	14 (max 13 x In)	11 s at 2 xlr	2.5	0.1	14 (max 10 x In)	
	2	21 s at 2 xlr				21 s at 2 xlr				
	3		5				5			
	4	5 s at 6 xlr	10			5 s at 6 xlr	8			
	5	10 s at 6 xlr		0.2		10 s at 6 xlr		0.2		
	6	19 s at 6 xlr				16 s at 6 xlr				
	7	29 s at 6 xlr				-		-		-
③ Neutral protection	0%									
	50%									
	100%									

(\*) Characteristic 1 : use for generators protection.  
 Characteristic 2 to 4 - standard protection : options allow coordination optimisation with other products.  
 Characteristic 5 to 7 - motor protection: use positions according to motor starting characteristics.

Tripping curve

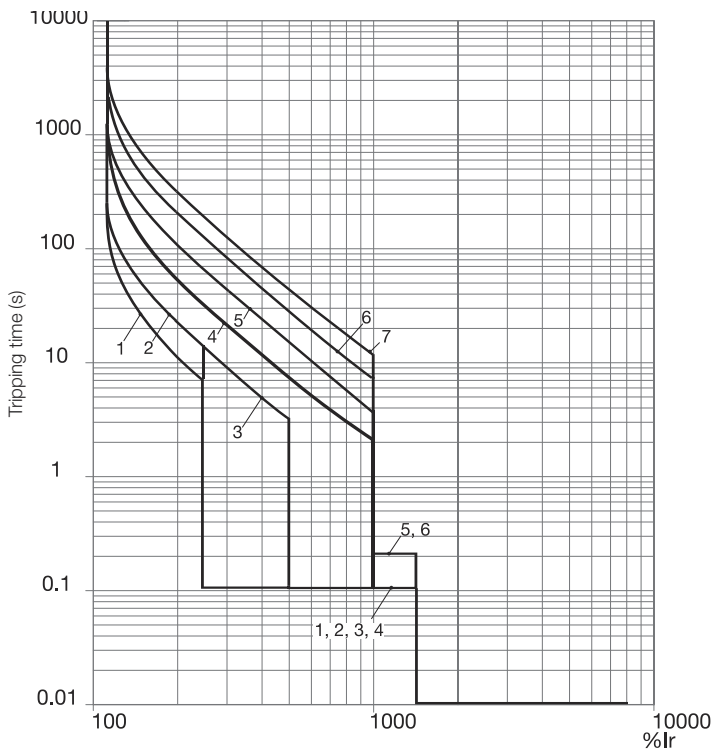
MCCB h400 TM (250 and 400A)





Tripping curve

MCCB h630 LSI (250A and 400A)



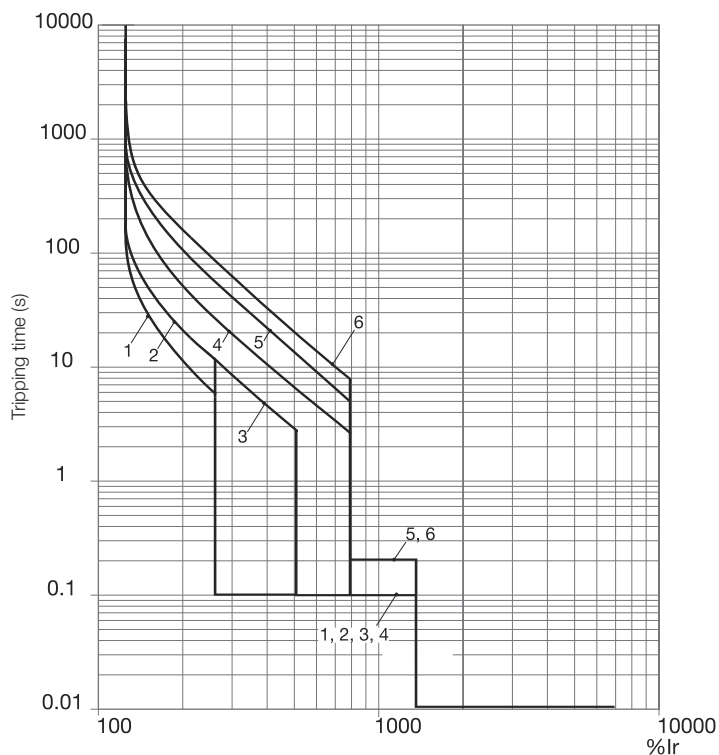
Electronic trip unit setting (LSI)

MCCB h630 LSI (250A and 400A)

		IR (A)								
LTD Pick-up current		IR	xIn	0.4	0.5	0.63	0.8	0.9	0.95	1
Characteristics		No.		1	2	3	4	5	6	7
Standard	LTD	tR	(s)	11	21	21	5	10	19	29
					200% x I R			600% x I R		
	STD	Isd	xIR	2.5	5		10			
tsd		(s)	0.1				0.2			
	INST	li	xIR	14 (max : 13 x In)						
Optional	N	IN	xIn	0 - 0.5 - 1						
		tN	(s)	tN=tR						

### Tripping curve

MCCB h630 LSI (630A electronic)



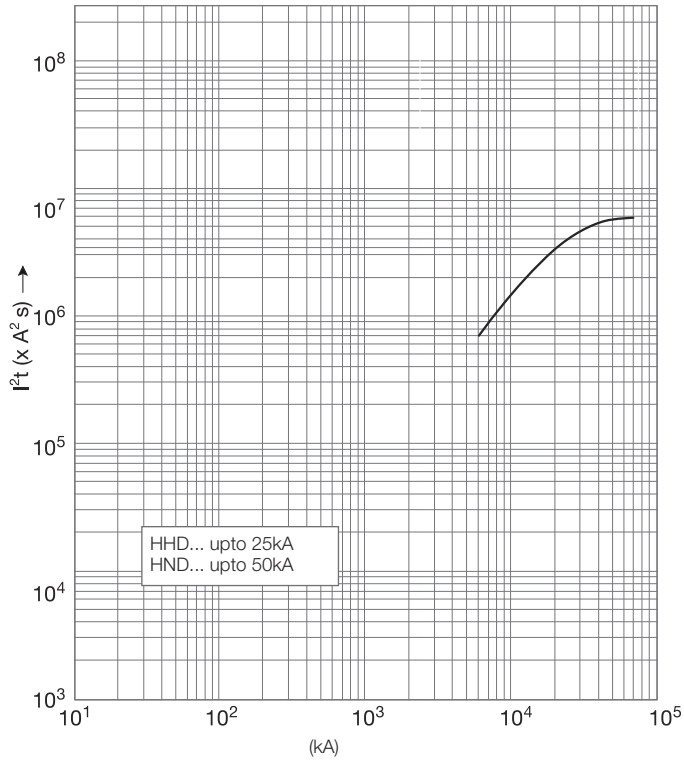
### Electronic trip unit setting (LSI)

MCCB h630 LSI (630A electronic)

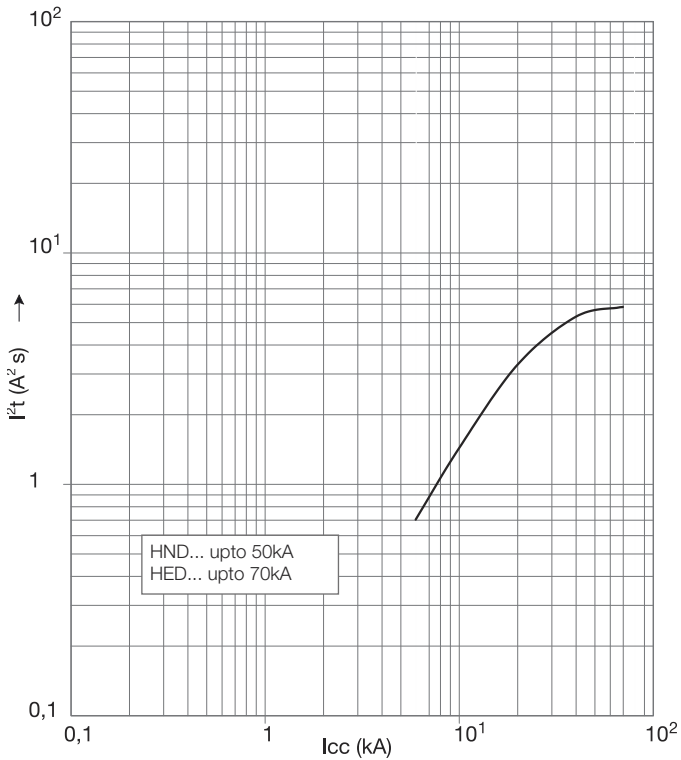
IR (A)										
LTD Pick-up current	IR	xIn	0.4	0.5	0.63	0.8	0.85	0.9	0.95	1
Characteristics		No.	1	2	3	4	5	6		
Standard	LTD	tR	(s)	11	21	21	5	10	16	
				200% x I R			600% x I R			
	STD	Isd	xIR	2.5		5	8			
		tsd	(s)	0,1			0,2			
	INST	li	xIR	14 (max : 13 x In)						
Optional	N	IN	xIn	0 - 0.5 - 1						
		tN	(s)	tN=tR						

Thermal constraint curve at 400V (Let-through energy)

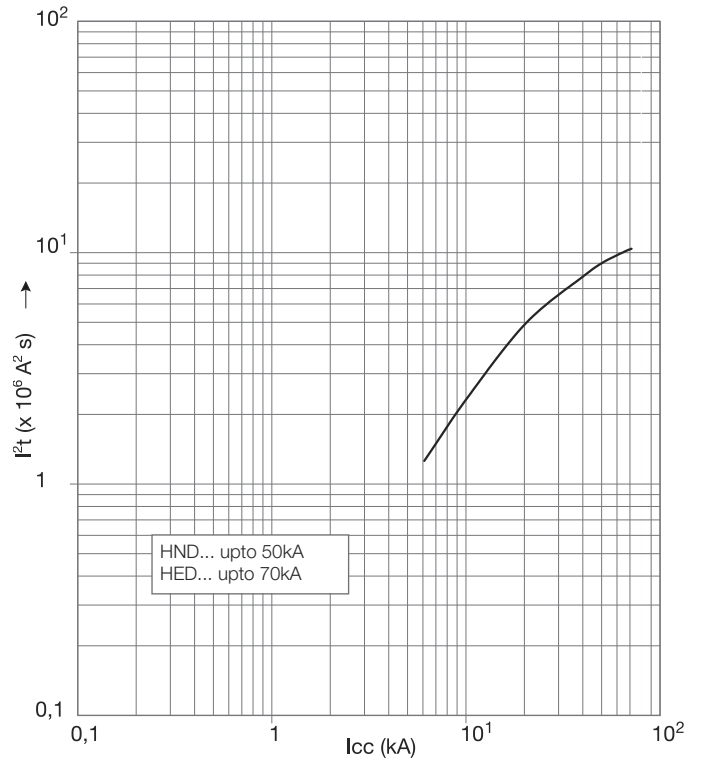
MCCB h400 TM (250A and 400A)



MCCB h630 LSI (250A and 400A)

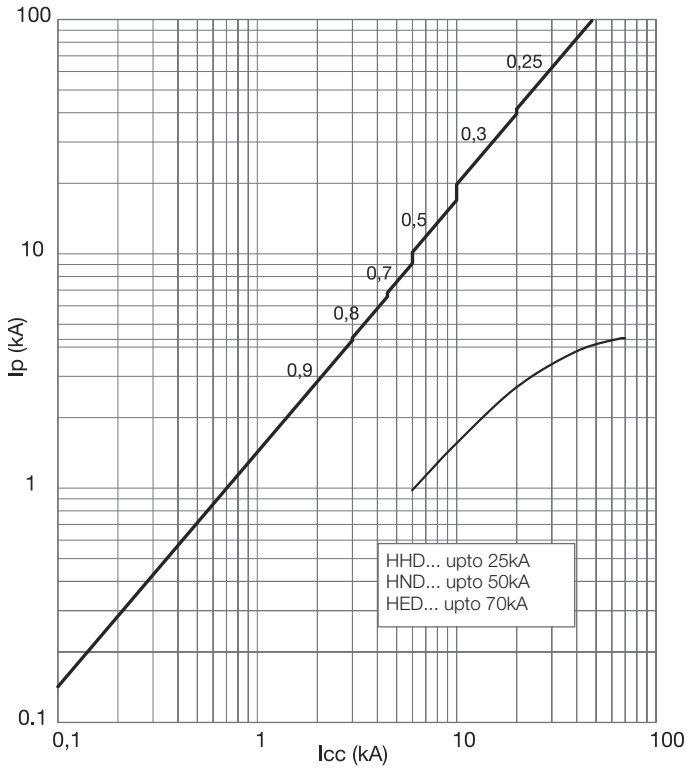


MCCB h630 LSI (630A)

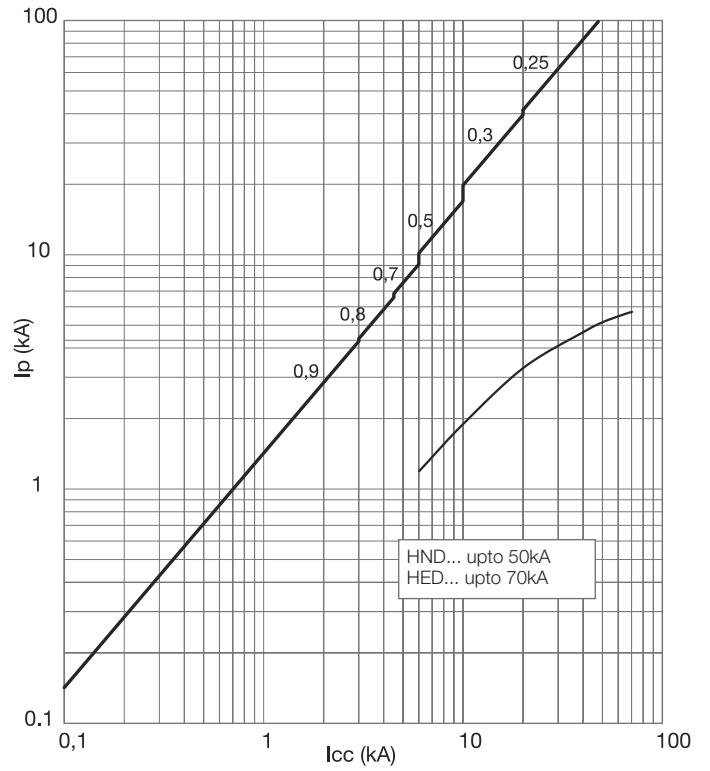


Current limiting curve at 400V (Let-through peak current)

MCCB h630 LSI (250A and 400A)  
MCCB h400 TM

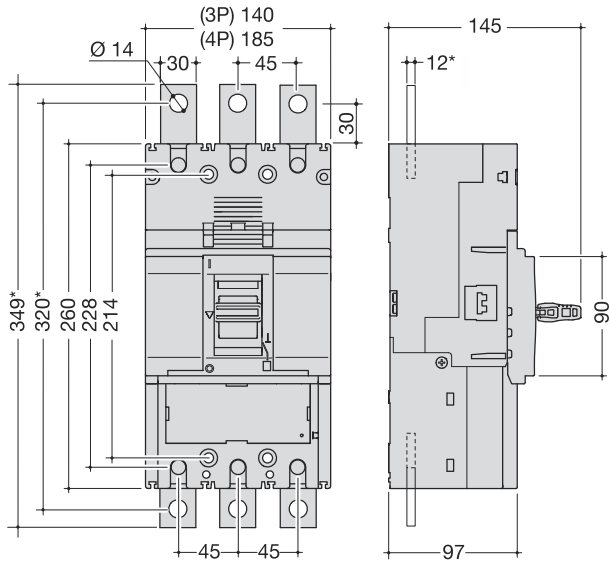


MCCB h630 LSI (630A)



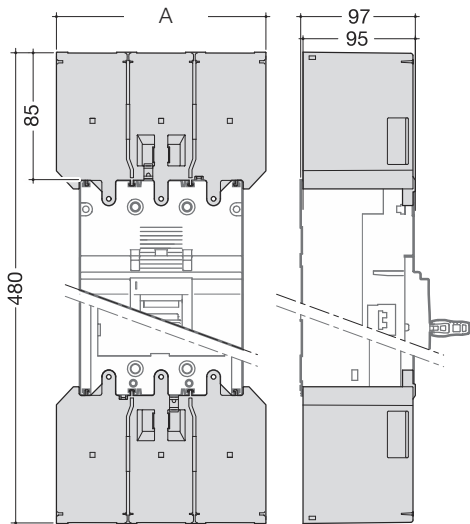
Dimensions

MCCBs



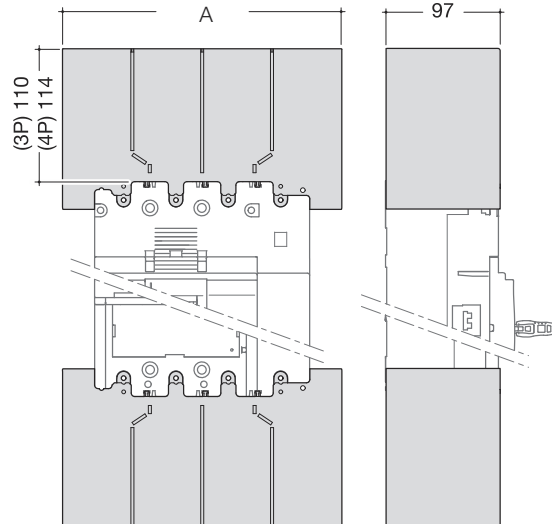
	A (mm)	B (mm)	C (mm)
3P	140	45	214
4P	185	45	214

Terminal covers for extended straight connections



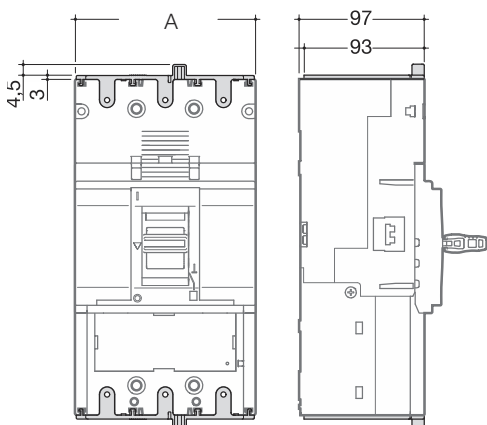
	A (mm)	B (mm)	C (mm)	D (mm)
3P	140	85	97	94.5
4P	185	85	97	94.5

Terminal covers for extended spreader connections



	A (mm)	B (mm)	C (mm)
3P	180	110	97
4P	240	114	98

Terminal covers for rear connections and collar terminal

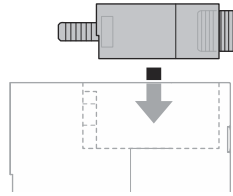
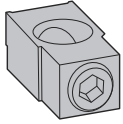


	A (mm)	B (mm)	B' (mm)	C (mm)	D (mm)
3P	140	3	4.5	97	93
4P	185	3	4.5	97	93

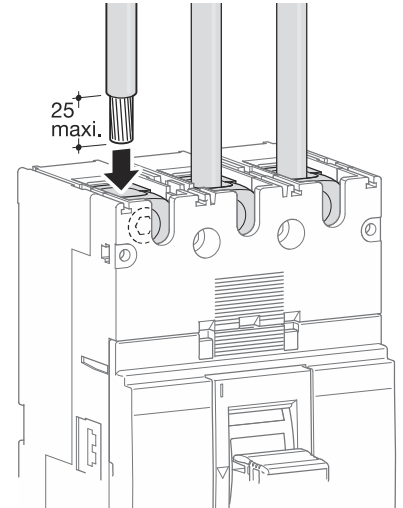
### Connection

Connection for aluminium / copper conductors  
(h400 TM, h630 LSI)

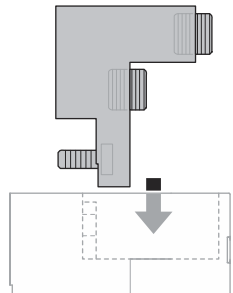
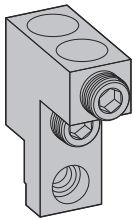
HYD005 (3P) - HYD006H (4P)



	max. 1x240 mm <sup>2</sup>
10	25 Nm

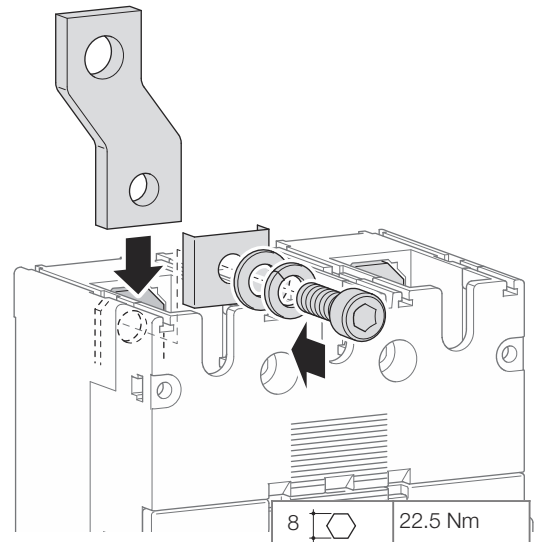
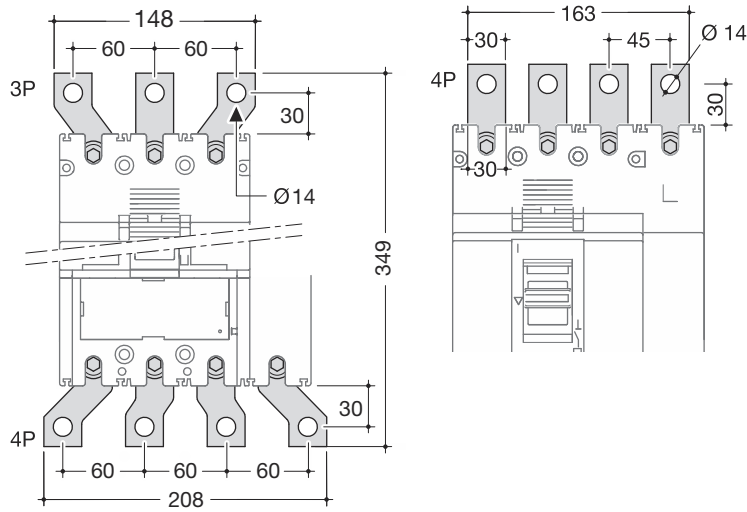


HYD007 (3P) - HYD008H (4P)

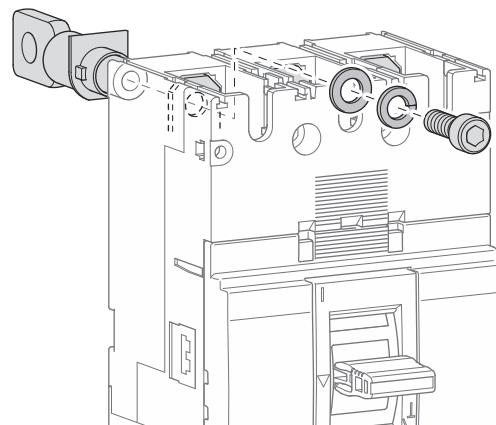
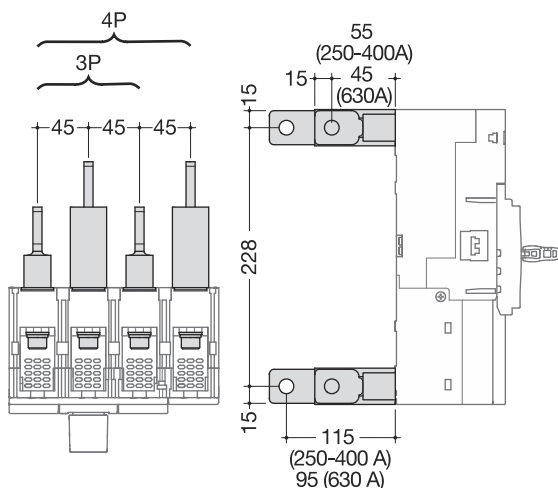


	max. 2x240 mm <sup>2</sup>
10	25 Nm

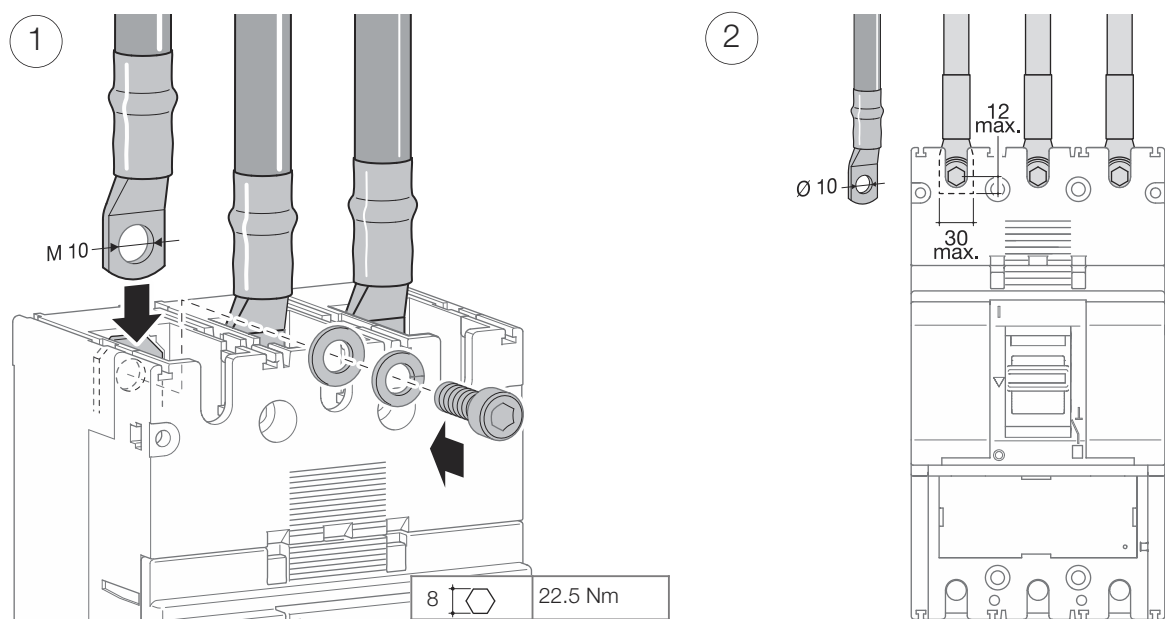
### Extended straight and spreader connections



### Rear connections



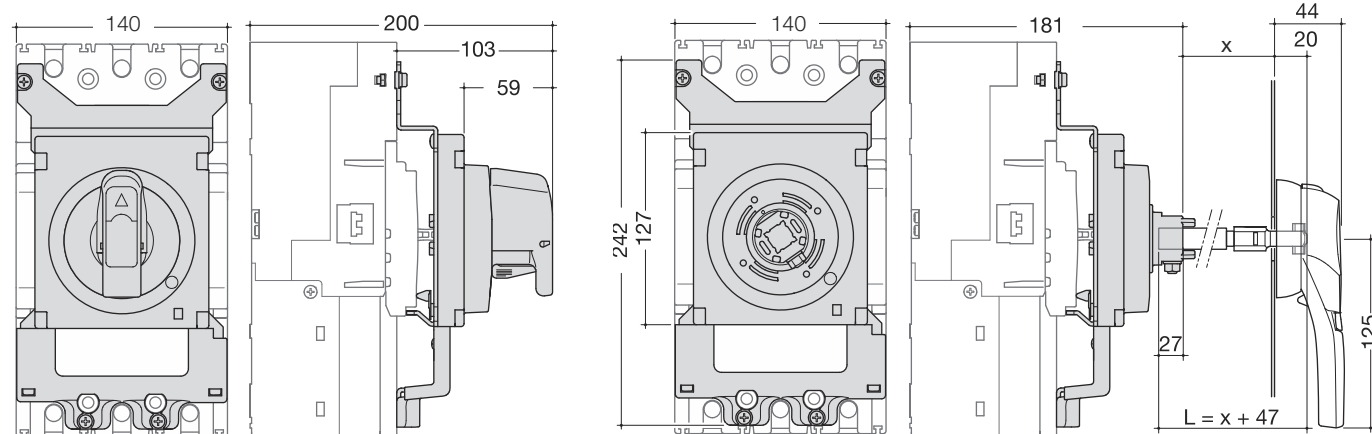
Connection with end lugs



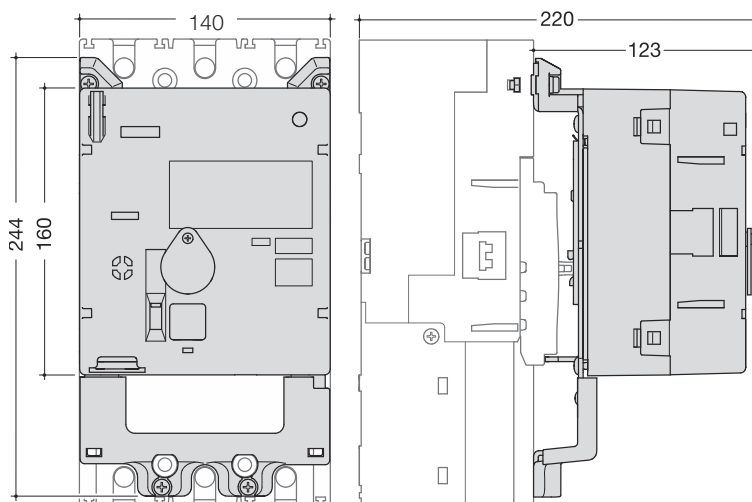
Accessories

Direct rotary handle

Extended rotary handle



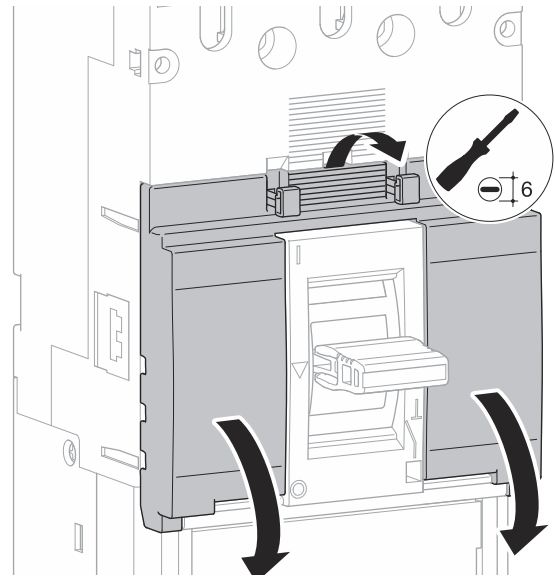
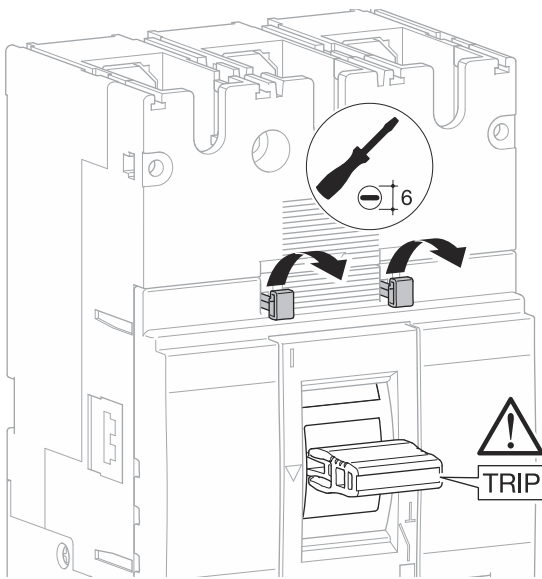
Motor operator



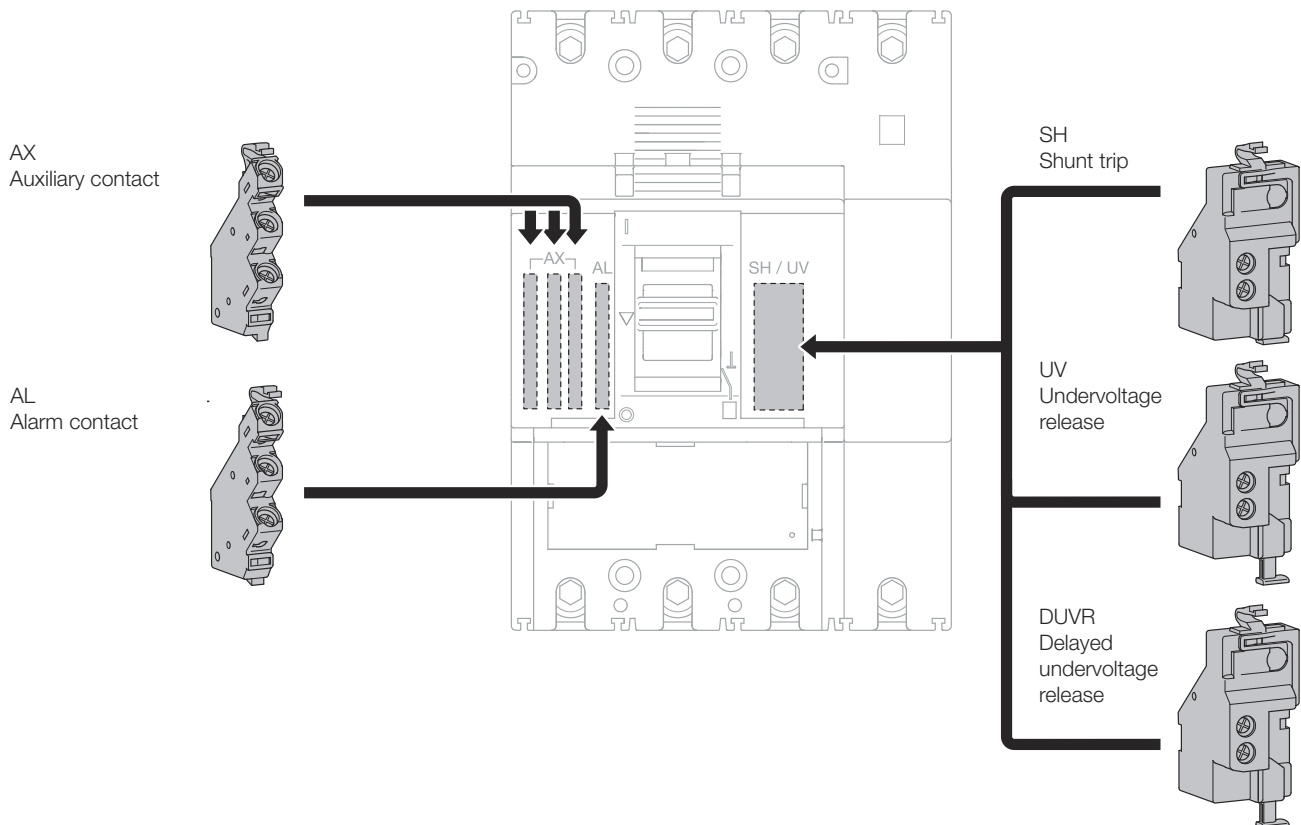
		HXD040H	HXD042H
Operating voltage		24-48V DC	100-240V AC
Operating current/starting current peak value (A)	24V DC	-/9.2 (ON) 4.3/9.8 (OFF, RESET)	-
	48V DC	-/3.8 (ON) 2.0/5.2 (OFF, RESET)	-
	100-110V AC	-	-/1.9 (ON) 1.3/3.8 (OFF, RESET)
	200-240V AC	-	-/3.3 (ON) 0.9/3.8 (OFF, RESET)
Operating time (s)	(ON)	0.1s	
	(OFF)	1.5 s	
	(RESET)	1.5 s	
Power supply required		300VA min.	
Dielectric properties (1 min)		1000V AC	1500V AC

### Auxiliaries

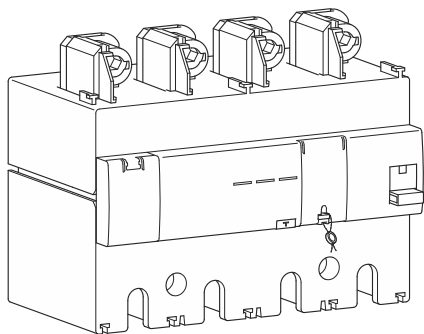
Auxiliaries for MCCBs and free tripping switches




Mounting combination for auxiliaries and releases







When associated with MCCB, the add-on block provides an earth fault protection and protects against electrical shocks by direct or indirect contacts.

The add-on blocks are protected against nuisance tripping caused by transient voltages. It's able to detect sinusoidal alternating currents and residual pulsating direct currents (A type ). It also avoids miss tripping (HI type - High Immunity).

Characteristics

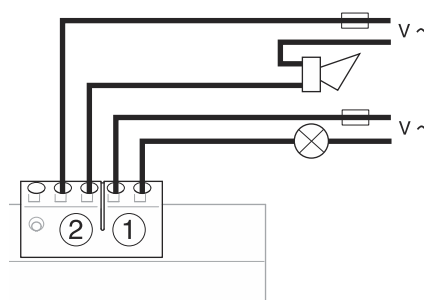
Reset button :  
Signals add-on block tripping and must be acknowledged before switching on the installation.

Test button for differential functioning :  
Allows to check the electrical operating of the MCCB / Add-on block association.

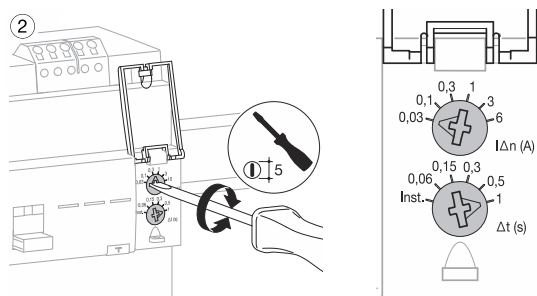
Mechanical test button :  
Allows to check the mechanical operating of the MCCB / Add-on block association.

LED signaling default current level in the installation:  
25% (orange) and 50% (red)  $I_{\Delta n}$ ; green light to signal correct operating.

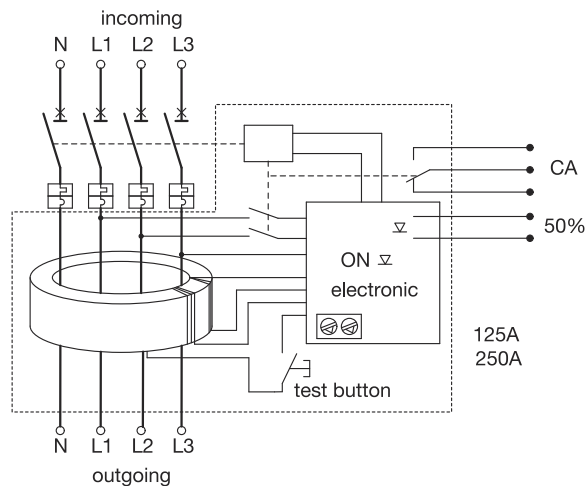
Remote tripping and advanced warning (50%  $I_{\Delta n}$ ) signaling thanks to these contacts:



Earth leakage current ( $I_{\Delta n}$ ) and delay ( $\Delta t$ ) setting

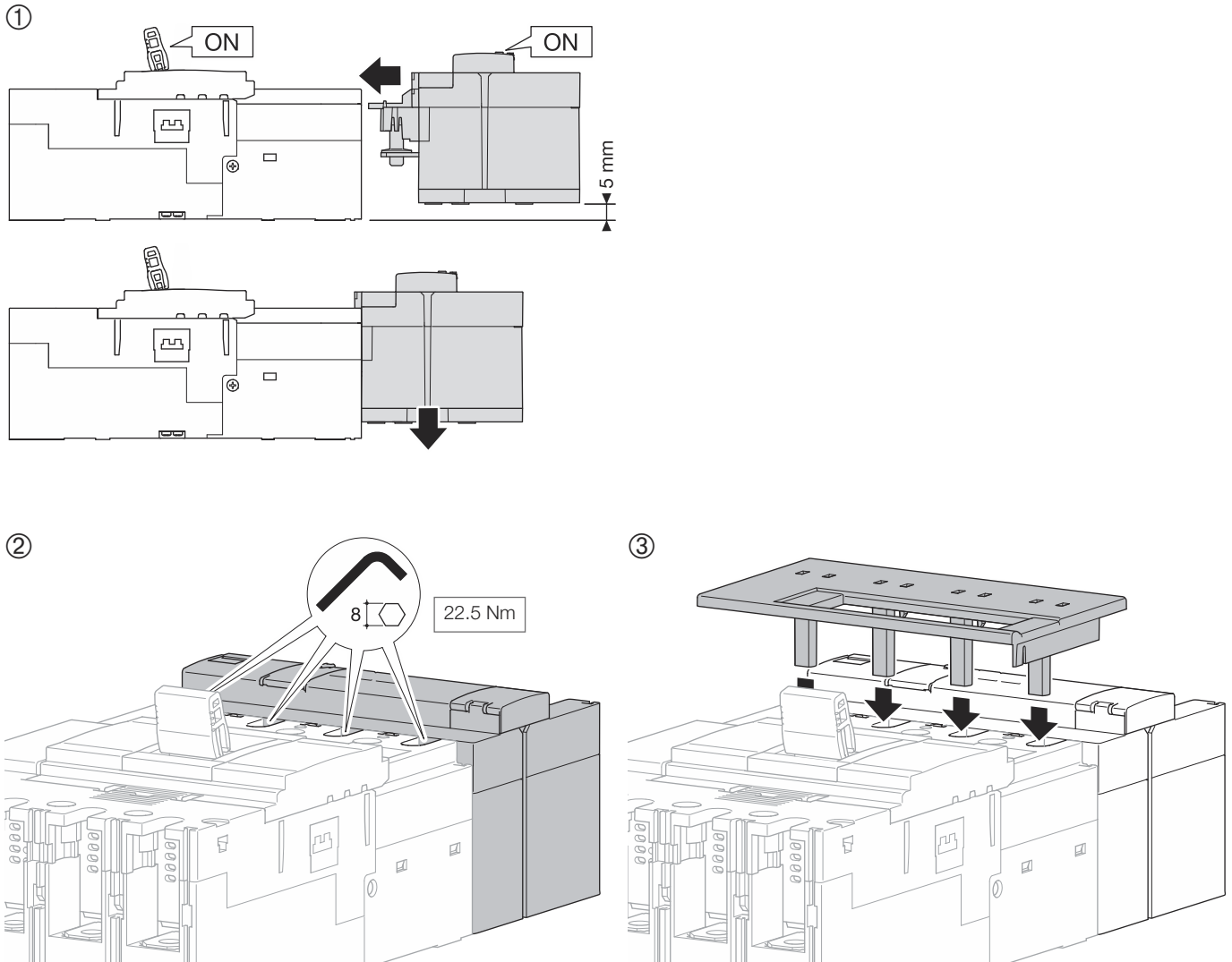


Add-on block operating

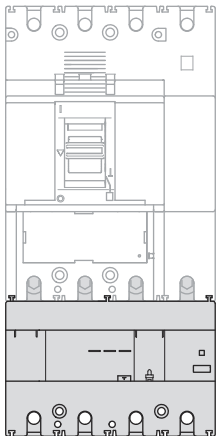


S ( $\Delta t$ )	A ( $I_{\Delta n}$ )						
	0.03	0.1	0.3	1	3	6	
Inst.	OK	OK	OK	OK	OK	OK	
0.06	no	OK	OK	OK	OK	OK	
0.15	no	OK	OK	OK	OK	OK	
0.3	no	OK	OK	OK	OK	OK	
0.5	no	OK	OK	OK	OK	OK	
1	no	OK	OK	OK	OK	OK	

## Add-on block mounting

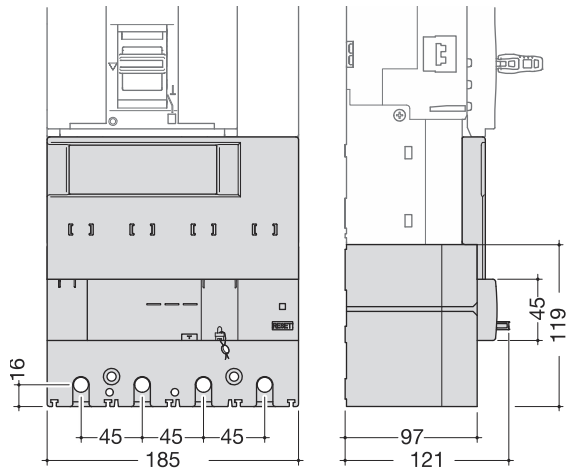


## Association / Compatibility

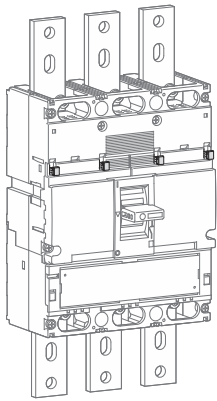


250 - 400A	630A x 0.8
HBD401H 400A	HBD631H 500A (le: 630A x 0.8)

## Dimensions

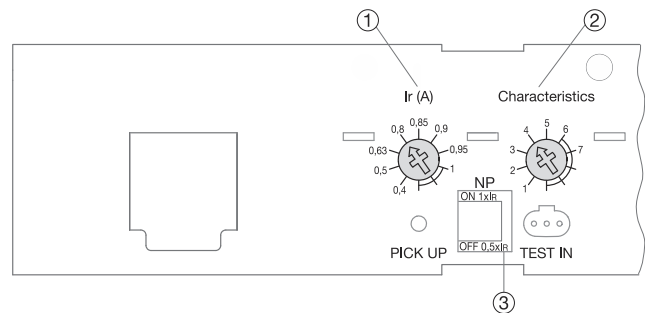
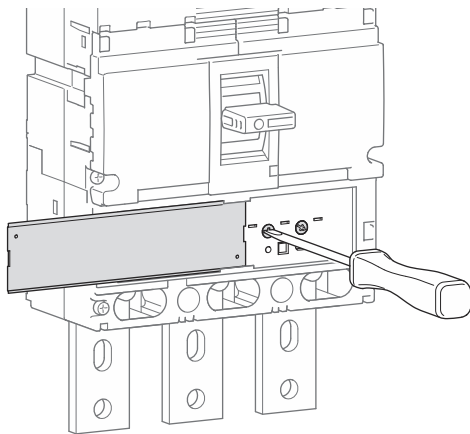


MCCBs



		220/240 V AC (kA)	380/415 V AC (kA)	660/690 V AC (kA)
HNE	l <sub>cu</sub>	85 (630-800A), 75 (1000A)	50	20
	l <sub>cs</sub>	85 (630-800A), 75 (1000A)	50	20
HEE	l <sub>cu</sub>	100	70	20
	l <sub>cs</sub>	100 (630-800A), 75 (1000A)	50	20
HCE	l <sub>cm</sub>	–	17	–
	l <sub>cw</sub>	–	10 kA-0.3 s	–

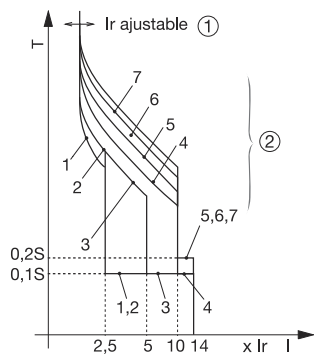
Electronic trip unit settings (LSI)



L - Long delay - protection against overloads: I<sub>r</sub> and t<sub>r</sub> settings

S - Short delay - protection against short circuits: I<sub>sd</sub> and t<sub>sd</sub> settings

I - Instantaneous - max. instantaneous threshold (< 10 ms) in case of short circuit: 2,5 to 10 x I<sub>r</sub> (630-800A) and 2,5 to 8 x I<sub>r</sub> (1000A).



LSI	I <sub>n</sub> A									
	630-800 A					1000 A				
	Long Time Delay		Short Time Delay		Inst	Long Time Delay		Short Time Delay		Inst
I <sub>r</sub> (x I <sub>n</sub> )	t <sub>r</sub> (s)	I <sub>sd</sub> (x I <sub>r</sub> )	t <sub>sd</sub> (s)	I <sub>li</sub> (x I <sub>r</sub> )	I <sub>r</sub> (x I <sub>n</sub> )	t <sub>r</sub> (s)	I <sub>sd</sub> (x I <sub>r</sub> )	t <sub>sd</sub> (s)	I <sub>li</sub> (x I <sub>r</sub> )	
① I <sub>r</sub> (x I <sub>n</sub> )	0.4	OK				OK				
	0.5	OK				OK				
	0.63	OK				OK				
	0.8	OK				OK				
	0.9	OK				OK				
	0.95	OK				OK				
	1	OK				OK				
② Characteristics*	1	11 s at 2 x I <sub>r</sub>	2.5	0.1	14 (max 12 x I <sub>n</sub> )	11 s at 2 x I <sub>r</sub>	2.5	0.1	14 (max 10 x I <sub>n</sub> )	
	2	21 s at 2 x I <sub>r</sub>				21 s at 2 x I <sub>r</sub>				
	3		5				5			
	4	5 s at 6 x I <sub>r</sub>	10			5 s at 6 x I <sub>r</sub>	8			
	5	10 s at 6 x I <sub>r</sub>		0.2		10 s at 6 x I <sub>r</sub>		0.2		
	6	19 s at 6 x I <sub>r</sub>				16 s at 6 x I <sub>r</sub>				
	7	29 s at 6 x I <sub>r</sub>				–				
③ Neutral protection	0%									
	50%									
	100%									

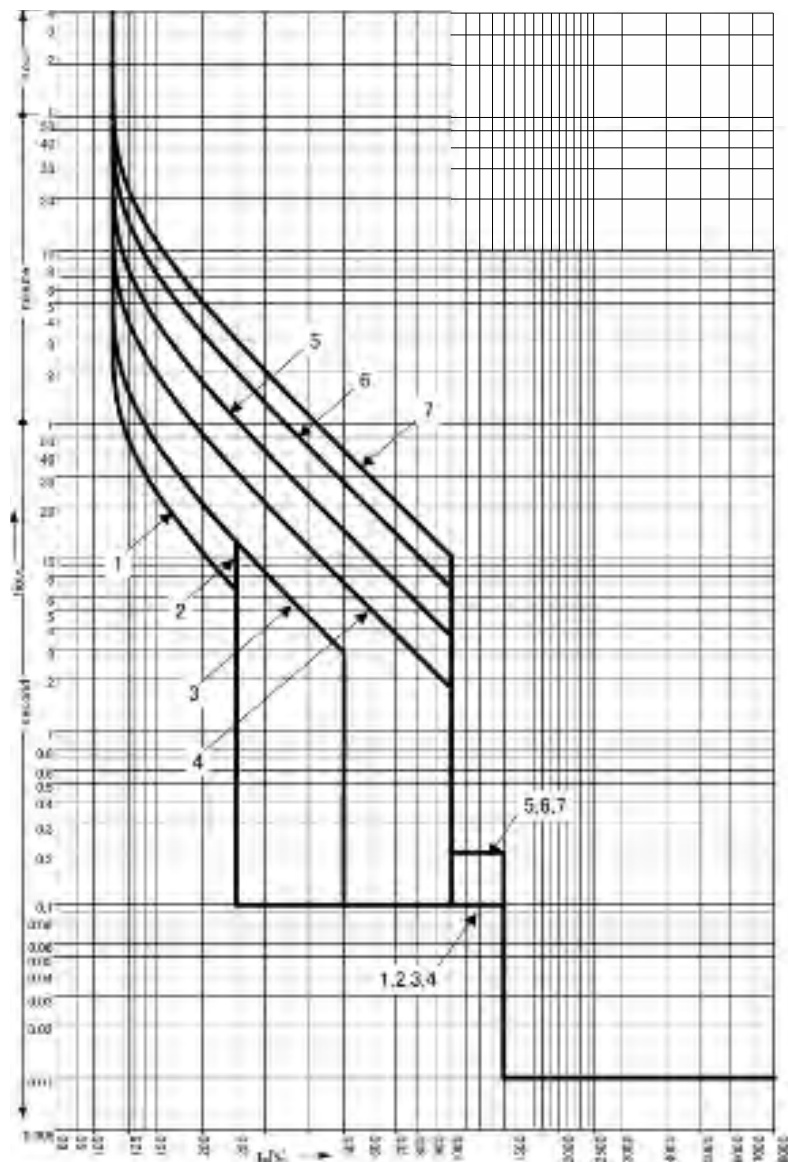
(\*) Characteristic 1 : use for generators protection.

Characteristic 2 to 4 - standard protection : options allow coordination optimisation with other products.

Characteristic 5 to 7 - motor protection: use positions according to motor starting characteristics.

Tripping curve

MCCB h1000 LSI (630-800A)



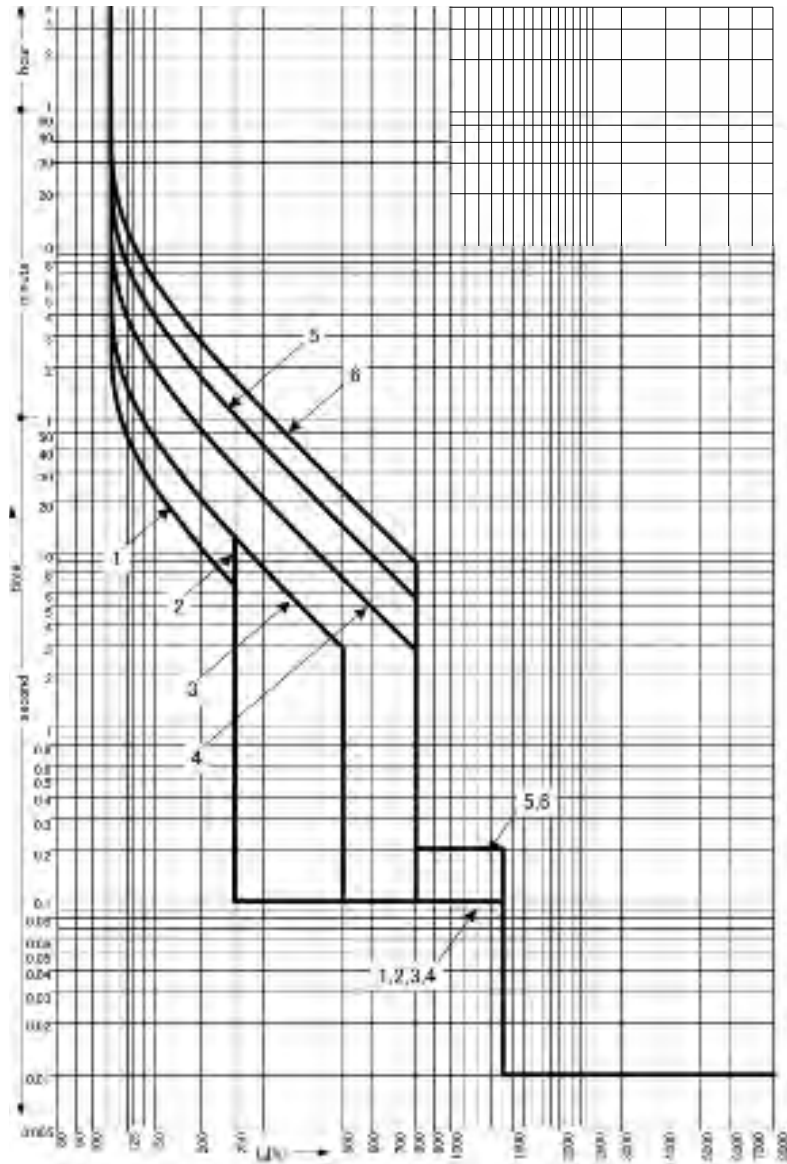
Electronic trip unit setting (LSI)

MCCBs 630-800A electronic

		IR (A)									
LTD Pick-up current		IR	xIn	0.4	0.5	0.63	0.8	0.9	0.95	1	
Characteristics			No.	1	2	3	4	5	6	7	
Standard	LTD	tR	(s)	11	21	21	5	10	19	29	
					200% x I R			600% x I R			
	STD	Isd	xIR	2.5		5		10			
		tsd	(s)	0.1					0.2		
	INST	li	xIR	14 (max : 12 x In)							
Optional	NP	IN	xIR	0.5 or 1 or NON (IN x 105% NT, IN x 120% T)							
		tN	(s)	IN=tR							

Tripping curve

MCCB h1000 LSI (1000A)



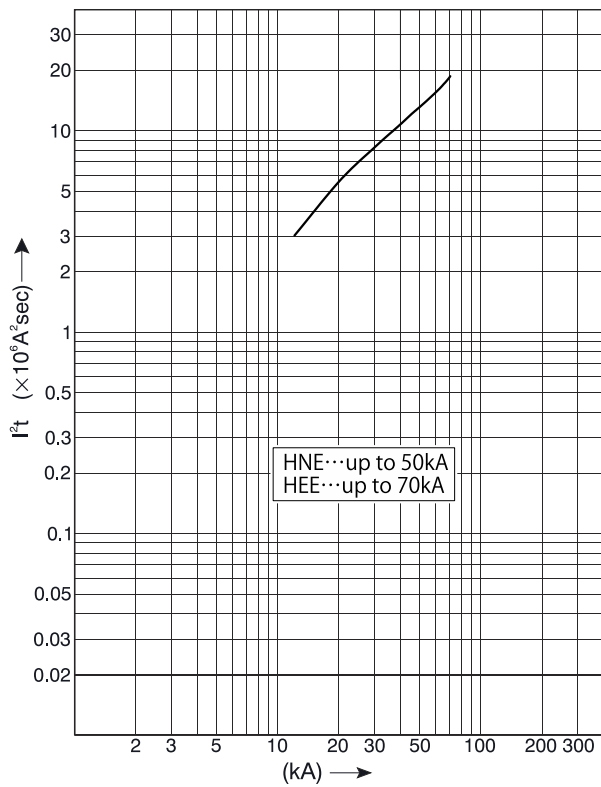
Electronic trip unit setting (LSI)

MCCBs 1000A electronic

		IR (A)									
LTD Pick-up current		IR	xIn	0.4	0.5	0.63	0.8	0.9	0.95	1	
Characteristics			No.	1	2	3	4	5	6		
Standard	LTD	tR	(s)	11	21	21	5	10	16		
		200% x I R						600% x I R			
	STD	Isd	xIR	2.5			5	8			
		tsd	(s)	0.1						0.2	
INST	li	xIR	14 (max : 10 x In)								
Optional	NP	IN	xIn	0.8							
		tN	(s)	IN=tR							

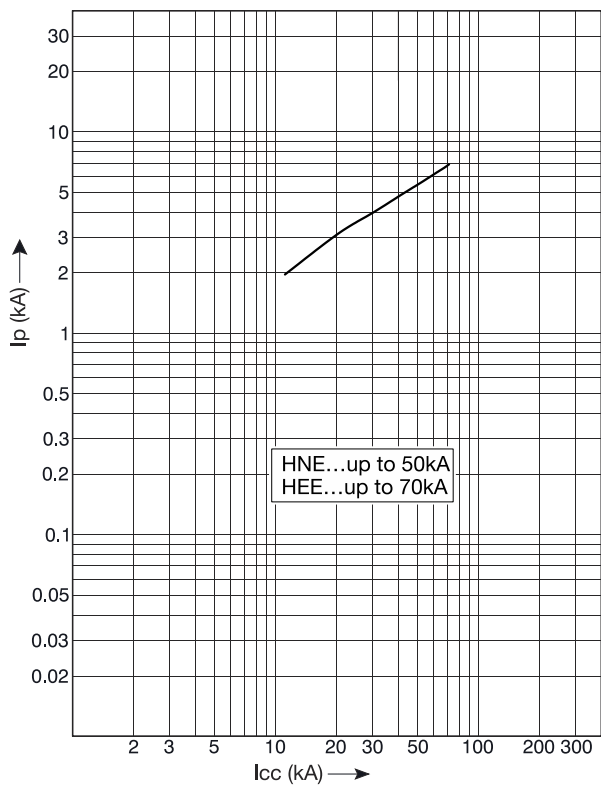
Thermal constraint curve at 400V (Let-through energy)

MCCB h1000



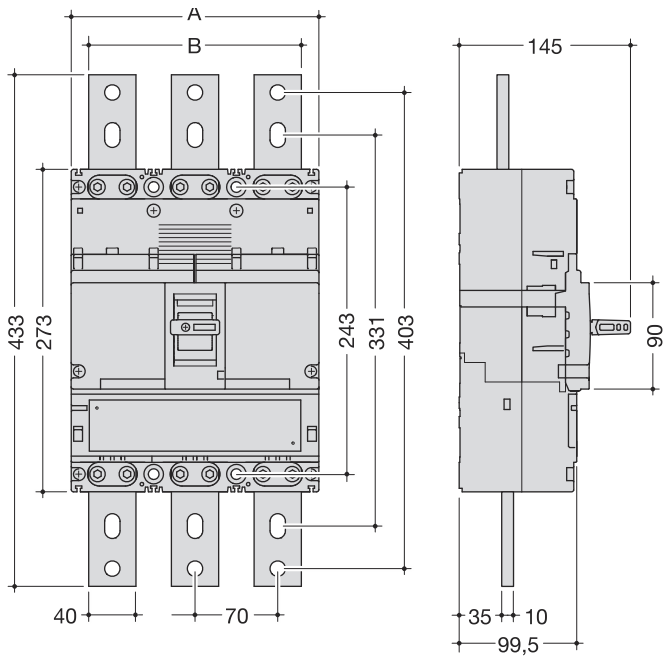
Current limiting curve at 400V (Let-through peak current)

MCCB h1000



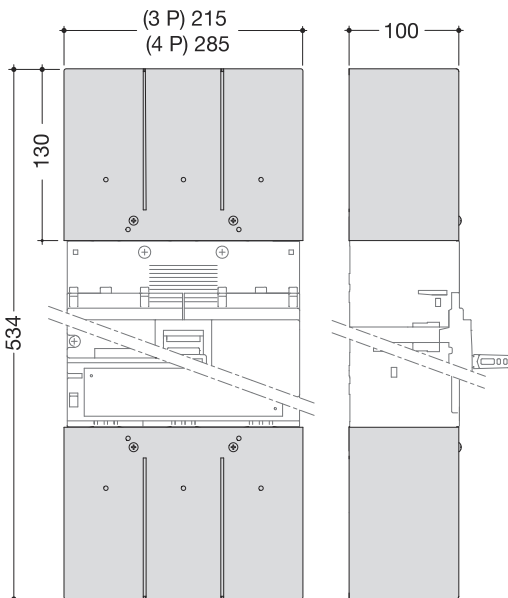
Dimensions

MCCBs

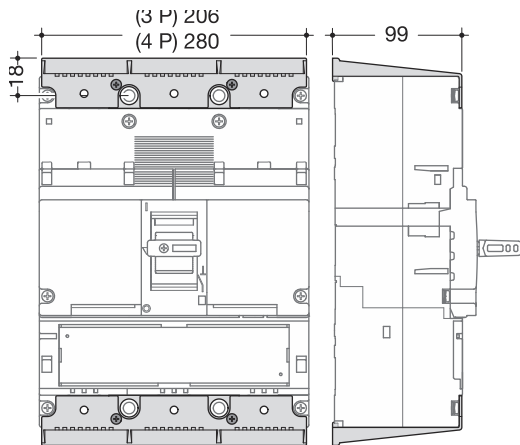


	A (mm)	B (mm)
3P	210	180
4P	280	250

Terminal covers for extended straight connections

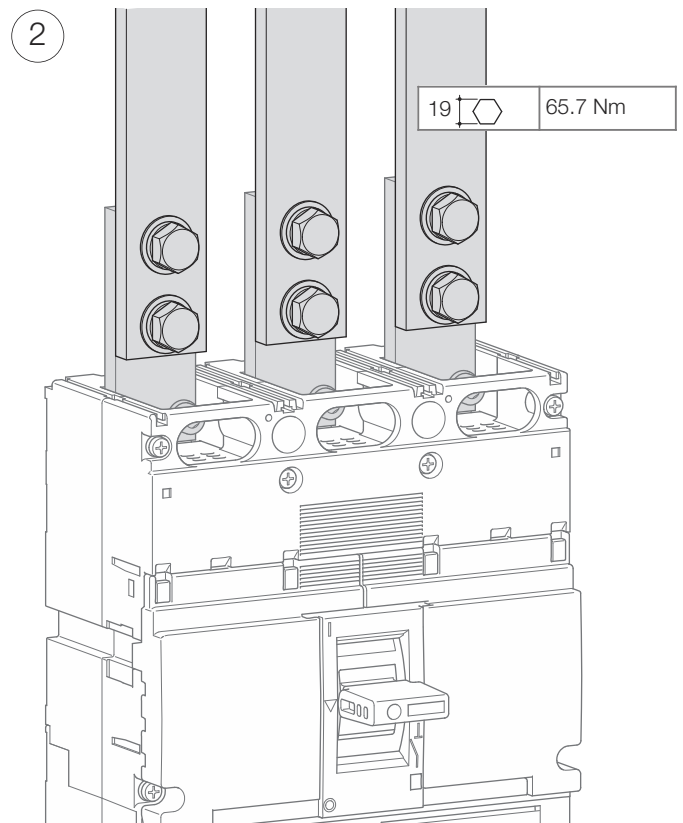
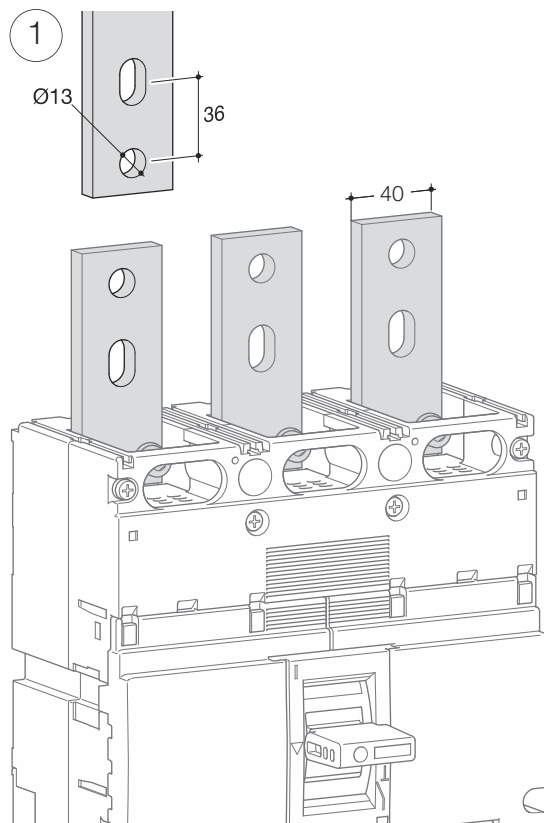


Terminal covers for rear connections



Connection

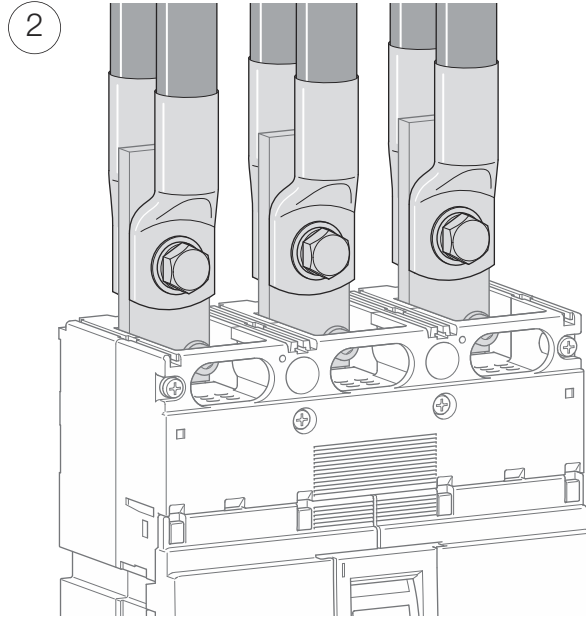
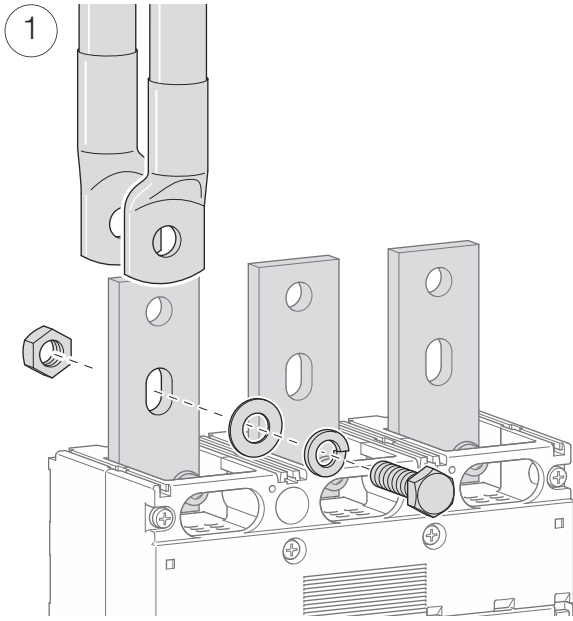
Extended straight connections



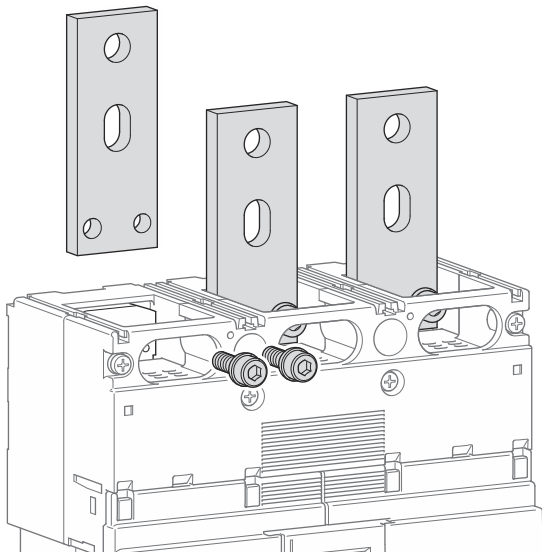
Direct cable connection on terminal  
Copper with conductor max. width: 50 mm



Connection with end lugs

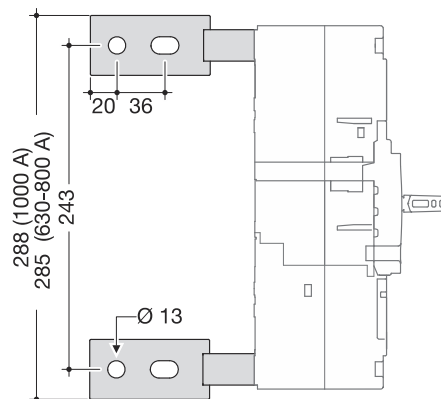
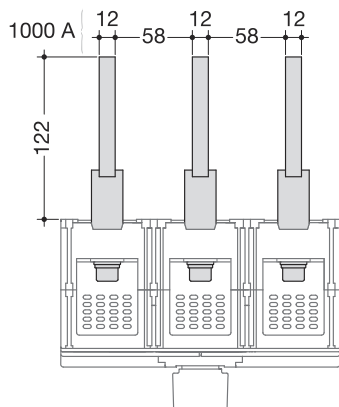
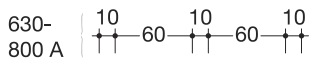
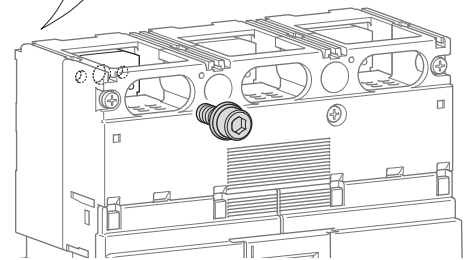
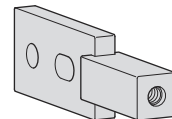
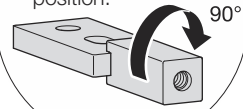


Rear connections



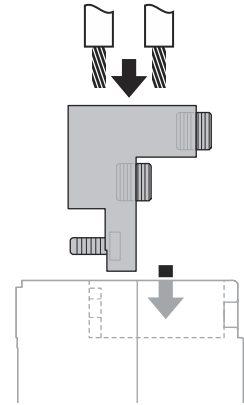
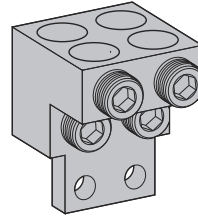
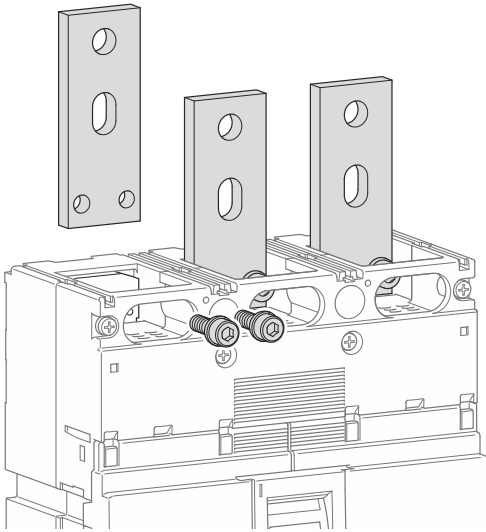
1000A:  
vertical only.

630-800A:  
vertical or horizontal  
position.



Connection for aluminium / copper conductors (h1000)

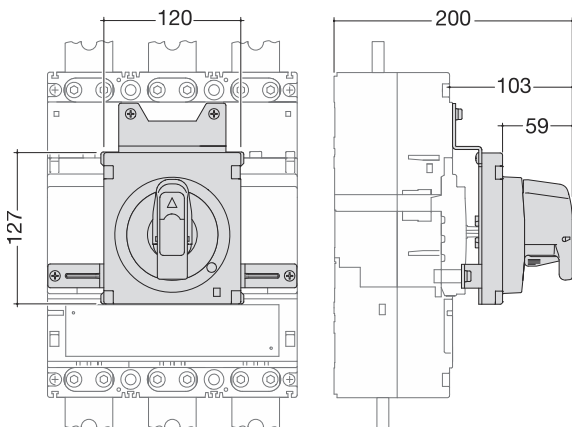
HYE007 (3P) - HYE008H (4P)



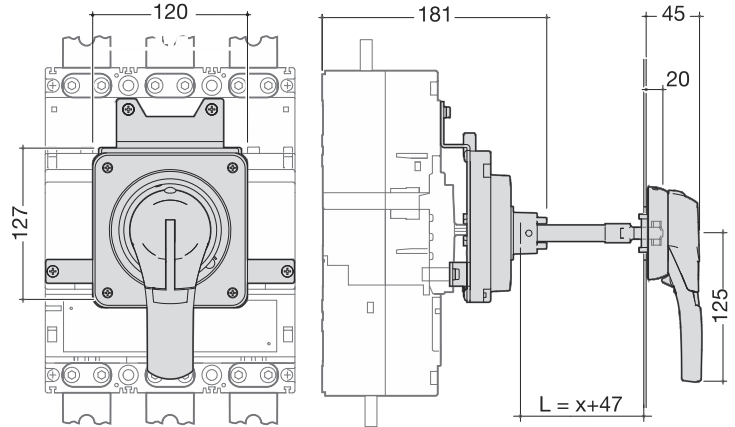
	max. 4x240 mm <sup>2</sup>
10	25 Nm

## Accessories

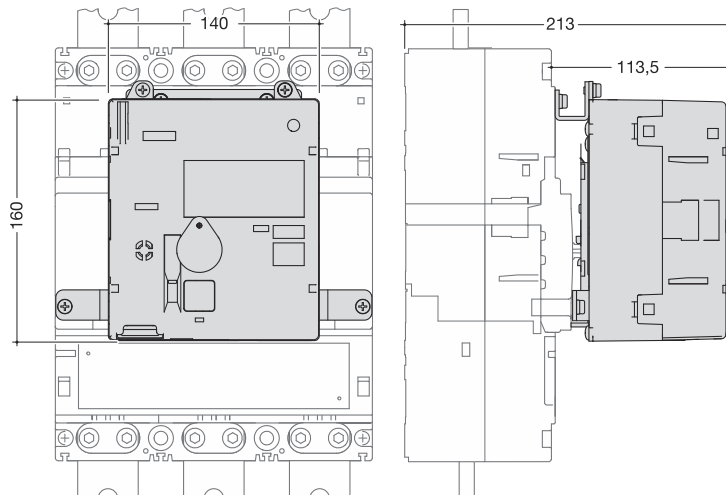
### Direct rotary handle



### Extended rotary handle



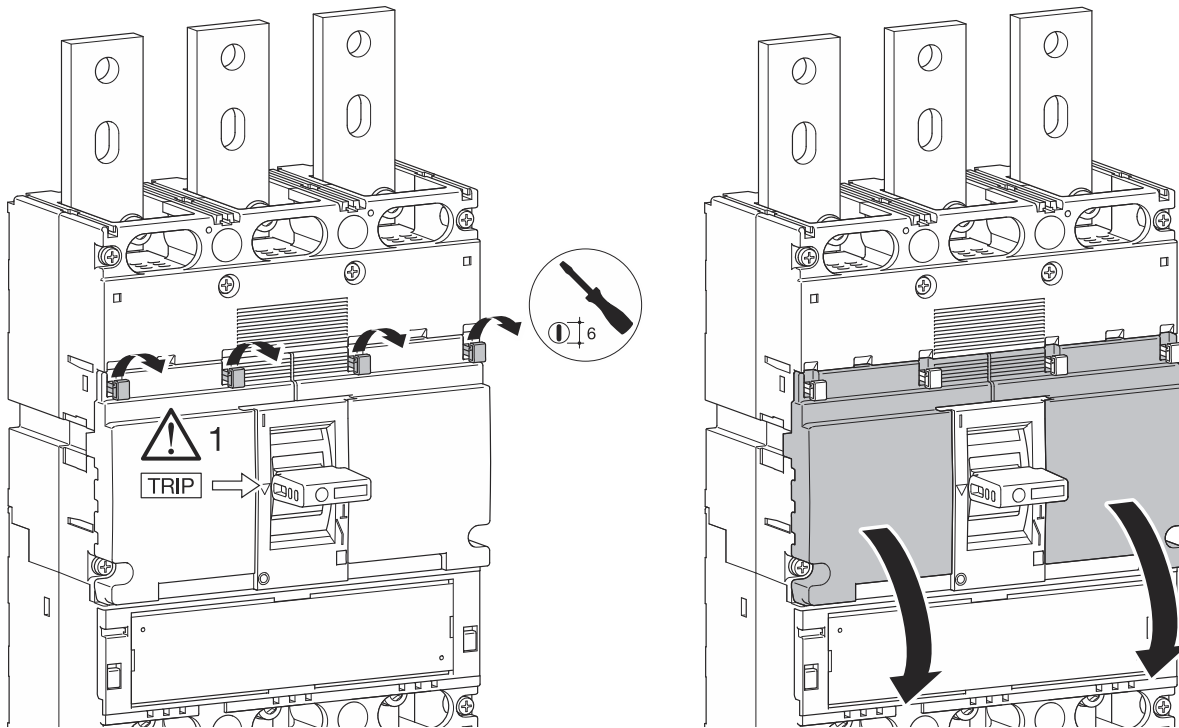
### Motor operator



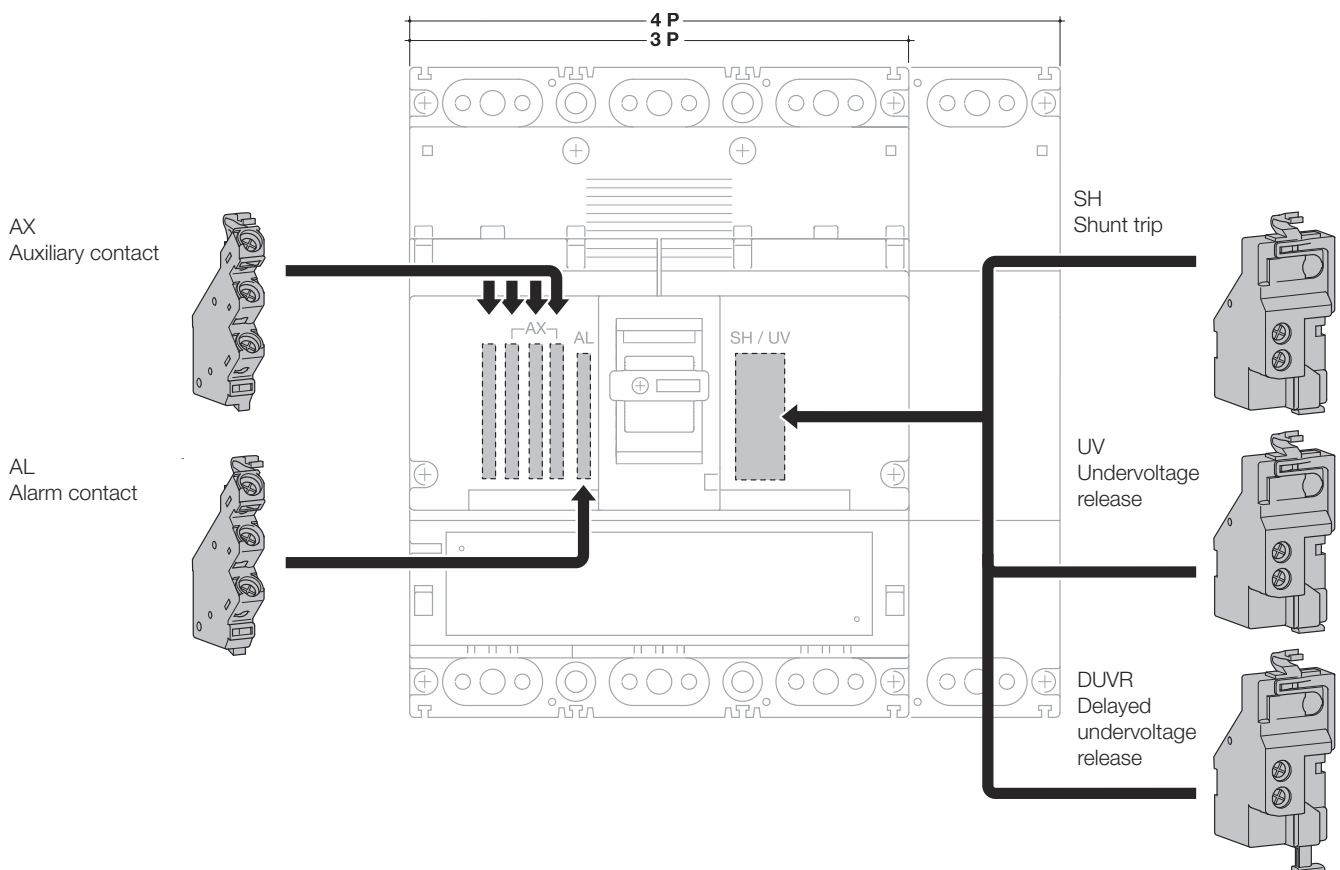
		HXE040H	HXE042H
Operating voltage		24-48V DC	100-240V AC
Operating current/starting current peak value (A)	24V DC	-/12 (ON) 6/11.5 (OFF, RESET)	-
	48V DC	-/7 (ON) 3.2/6.5 (OFF, RESET)	-
	100-110V AC	-	-/2.2 (ON) 1.7/3.5 (OFF, RESET)
	200-240V AC	-	-/2.2 (ON) 1.3/3.5 (OFF, RESET)
Operating time (s)	(ON)	0.1s	
	(OFF)	1.5 s	
	(RESET)	1.5 s	
Power supply required		300VA min.	
Dielectric properties (1 min)		1000V AC	1500V AC

Auxiliaries

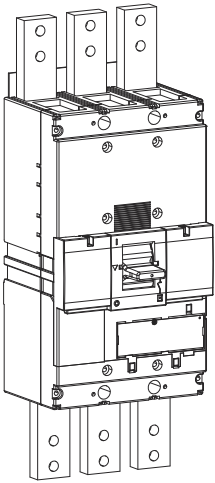
Auxiliaries for MCCBs and free tripping switches



Mounting combination for auxiliaries and releases

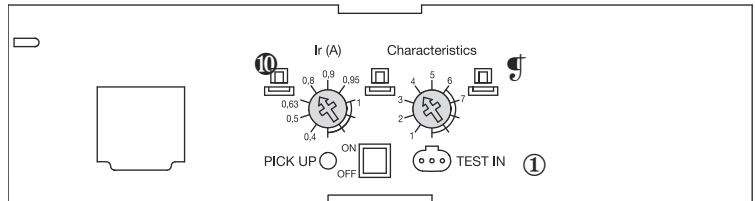
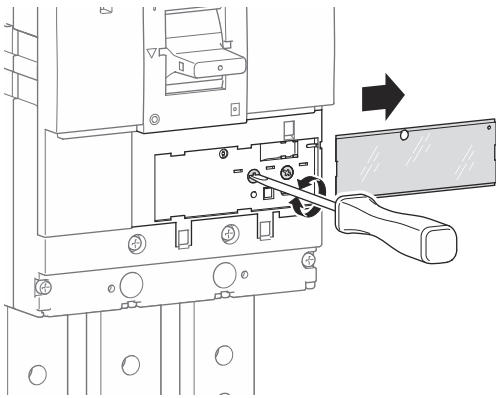


## MCCBs



		220/240 V AC (kA)	380/415 V AC (kA)	660/690 V AC (kA)
HNF	l <sub>cu</sub>	100	50	25
	l <sub>cs</sub>	75	50	25
HEF	l <sub>cu</sub>	100	70	45
	l <sub>cs</sub>	75	50	34
HCF	l <sub>cm</sub>		45 kA	
	l <sub>cw</sub>		20 kA-0.3 s	

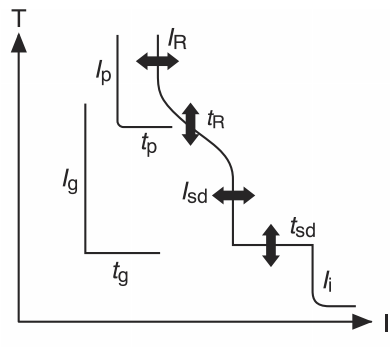
## Electronic trip unit settings (LSI)



L - Long delay - protection against overloads: I<sub>r</sub> and t<sub>r</sub> settings

S - Short delay - protection against short circuits: I<sub>sd</sub> and t<sub>sd</sub> settings

I - Instantaneous - max. instantaneous threshold (< 10 ms) in case of short circuit: 2,5 to 10 x I<sub>r</sub>.



LSI	I <sub>n</sub> A					
	1250 - 1600 A					
	Long Time Delay		Short Time Delay		Inst	
	I <sub>r</sub> (x I <sub>n</sub> )	t <sub>r</sub> (s)	i <sub>sd</sub> (x I <sub>r</sub> )	t <sub>sd</sub> (s)	i <sub>i</sub> (x I <sub>r</sub> )	
① I <sub>r</sub> (x I <sub>n</sub> )	0.4	OK				
	0.5	OK				
	0.63	OK				
	0.8	OK				
	0.9	OK				
	0.95	OK				
	1	OK				
② Characteristics*	1		11s at 2 x I <sub>r</sub>	2.5	0.1	14 (max 12 x I <sub>n</sub> )
	2		21s at 2 x I <sub>r</sub>			
	3			5		
	4		5 s at 6 x I <sub>r</sub>	10	0.2	
	5		10 s at 6 x I <sub>r</sub>			
	6		19 s at 6 x I <sub>r</sub>			
	7		29 s at 6 x I <sub>r</sub>			
③ Neutral protection	0%					
	50%					
	100%					

	① I <sub>r</sub> (A)	② I <sub>m</sub>	③ N
LSI	0.4 - 1 I <sub>n</sub>	2.5 - 10 I <sub>r</sub>	0% 50% 100 %

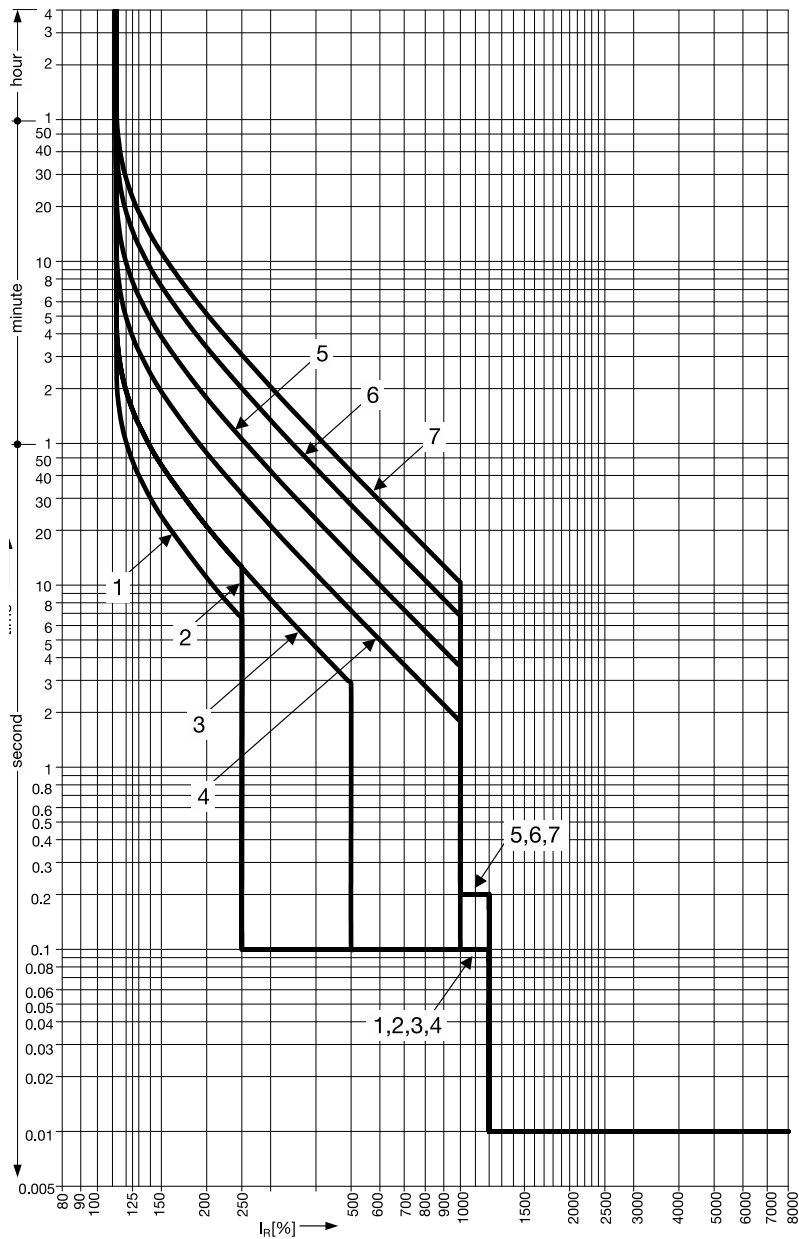
(\*) Characteristic 1 : use for generators protection.

Characteristic 2 to 4 - standard protection : options allow coordination optimisation with other products.

Characteristic 5 to 7 - motor protection: use positions according to motor starting characteristics.

Tripping curve

MCCB h1600 LSI



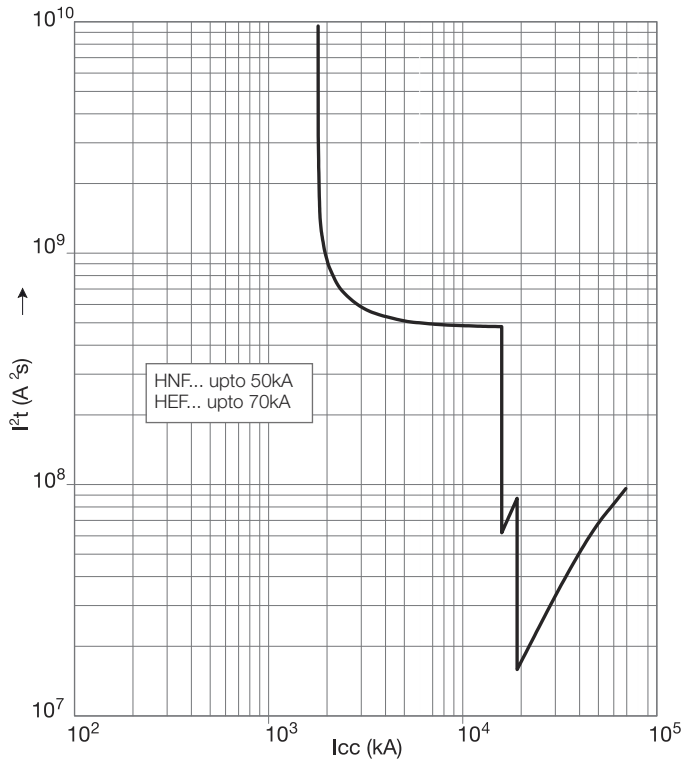
Electronic trip unit setting (LSI)

MCCBs 1250A and 1600A electronic

		IR (A)									
LTD Pick-up current		IR	xIn	0.4	0.5	0.63	0.8	0.9	0.95	1	
Characteristics			No.	1	2	3	4	5	6	7	
Standard	LTD	tR	(s)	11	21	21	5	10	19	29	
					200% x I R			600% x I R			
	STD	Isd	xIR	2.5		5		10			
		tsd	(s)	0.1					0.2		
	INST	li	xIR	14 (max : 12 x In)							
Optional	NP	IN	xIR	0,5 or 1 or NON (IN x 105% NT, IN x 120% T)							
		tN	(s)	IN=tR							

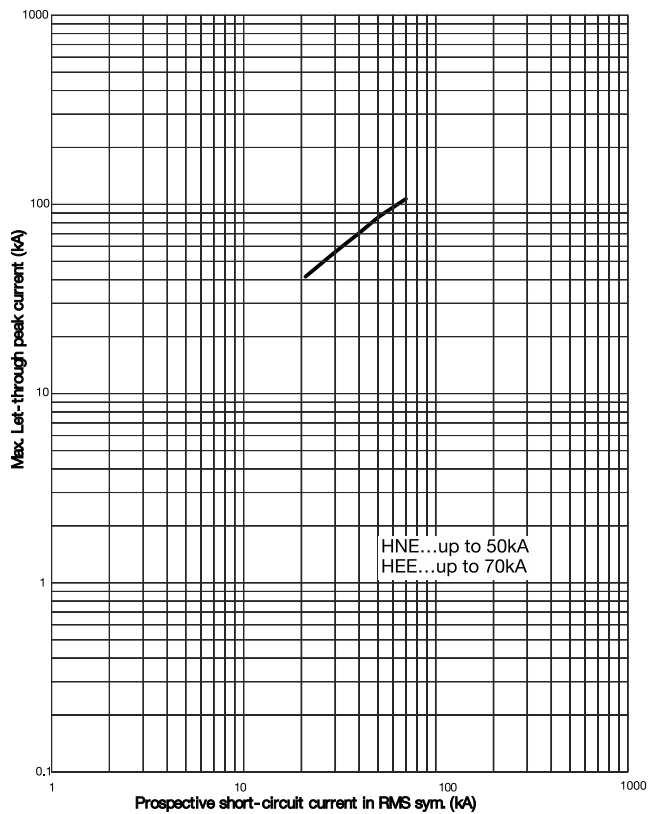
Thermal constraint curve at 400V (Let-through energy)

MCCB h1600



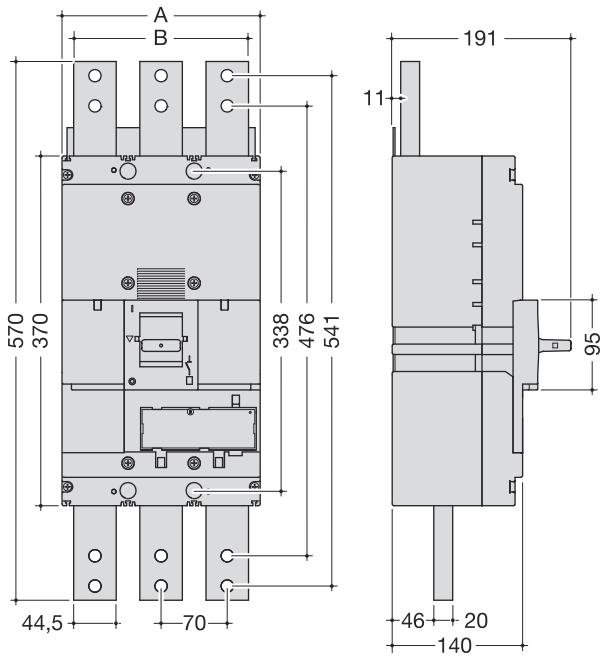
Current limiting curve at 400V (Let-through peak current)

MCCB h1600



Dimensions

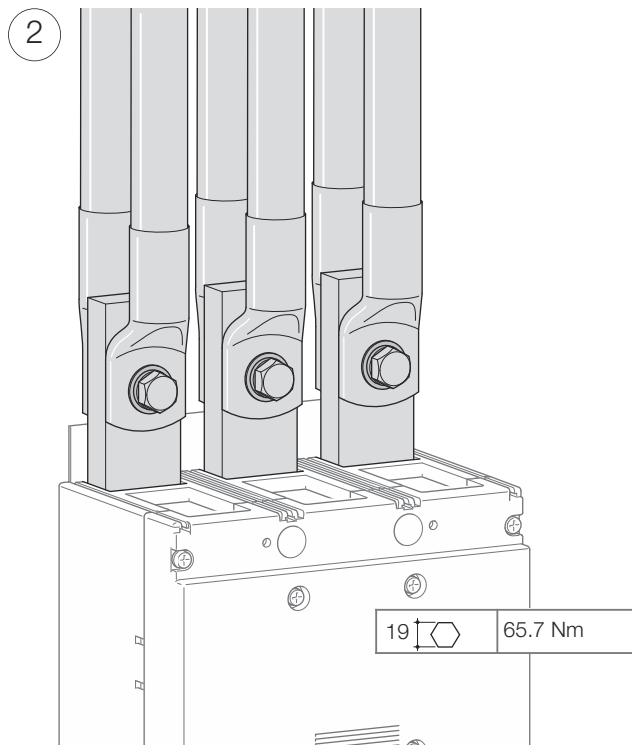
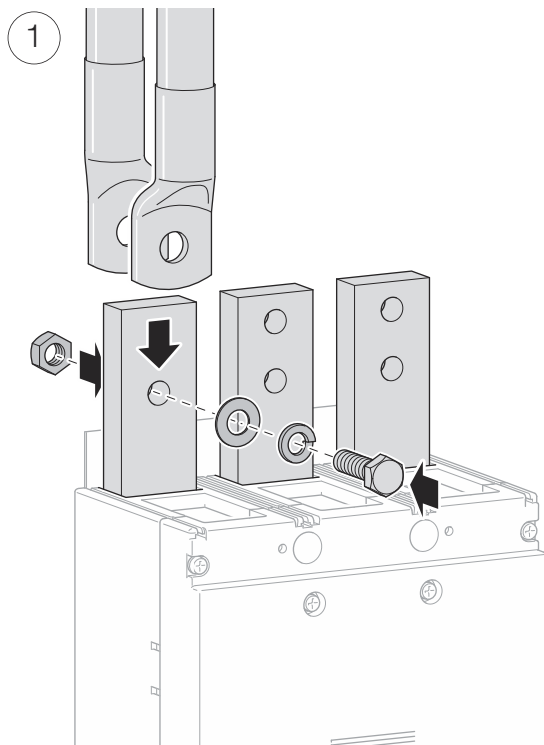
MCCBs



	A (mm)	B (mm)
3P	210	185
4P	280	255

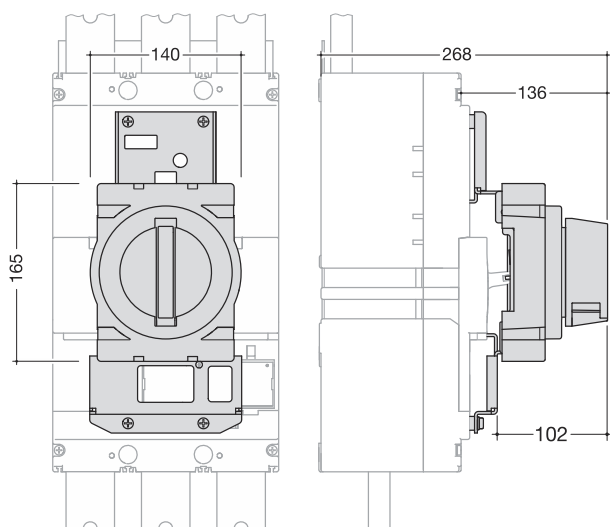
Connection

Connection with end lugs

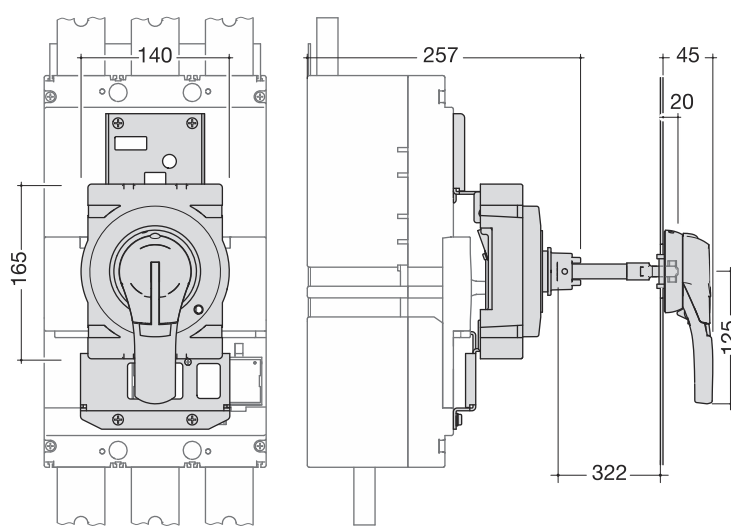


## Accessories

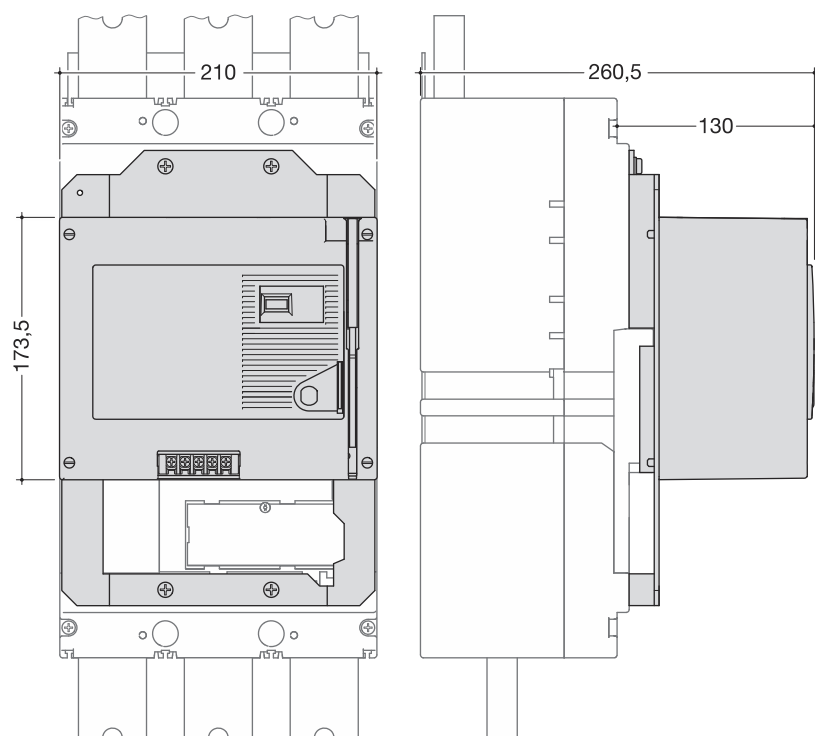
### Direct rotary handle



### Extended rotary handle



### Motor operator

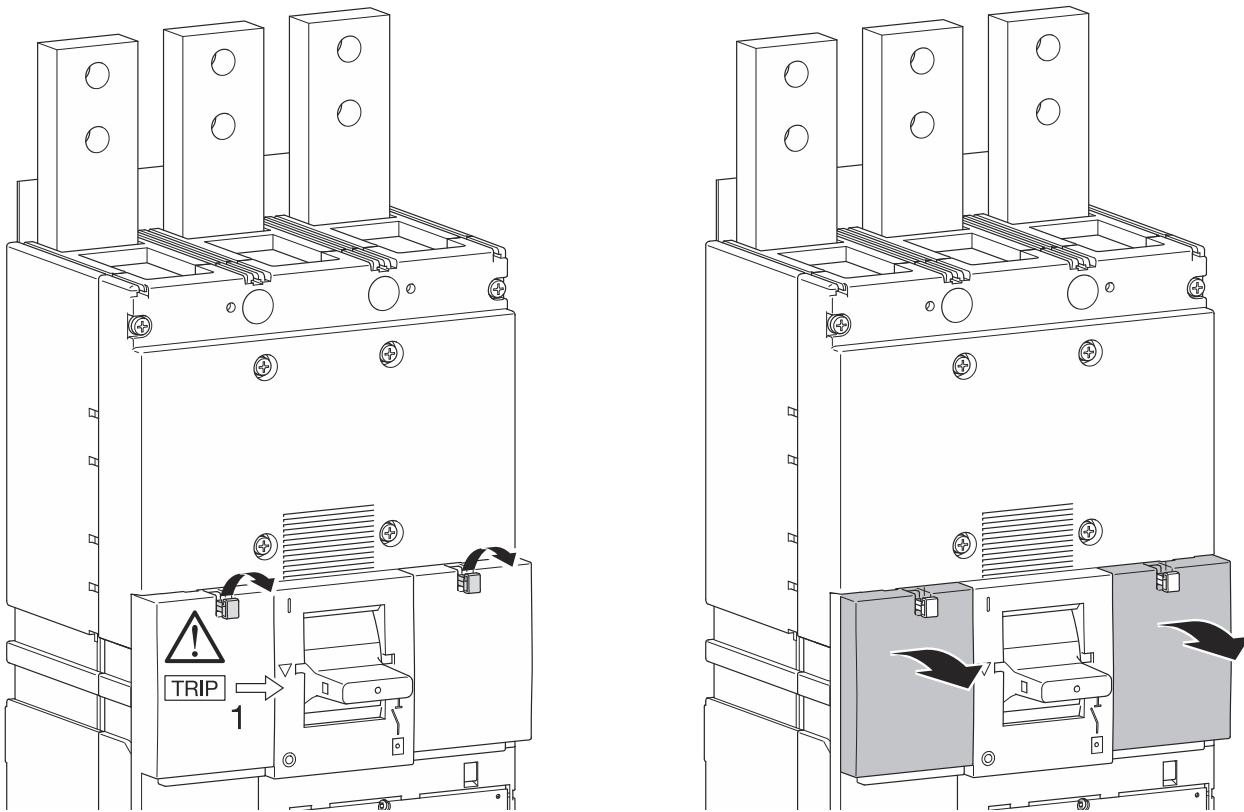


		HXF040H	HXF042H
Operating voltage		24V DC	200-230V AC
Operating current / starting current peak value (A)	24V DC	-/4.5 (ON) 4.0/12.0 (OFF, RESET)	-
	200-230V AC	-	-/1.2 (ON) 1.0/3.2 (OFF, RESET)
Operating time (s)	(ON)	0,06s	
	(OFF)	3s	
	(RESET)	3s	
Power supply required		300VA min.	
Dielectric properties (1 min)		500V AC	1500V AC

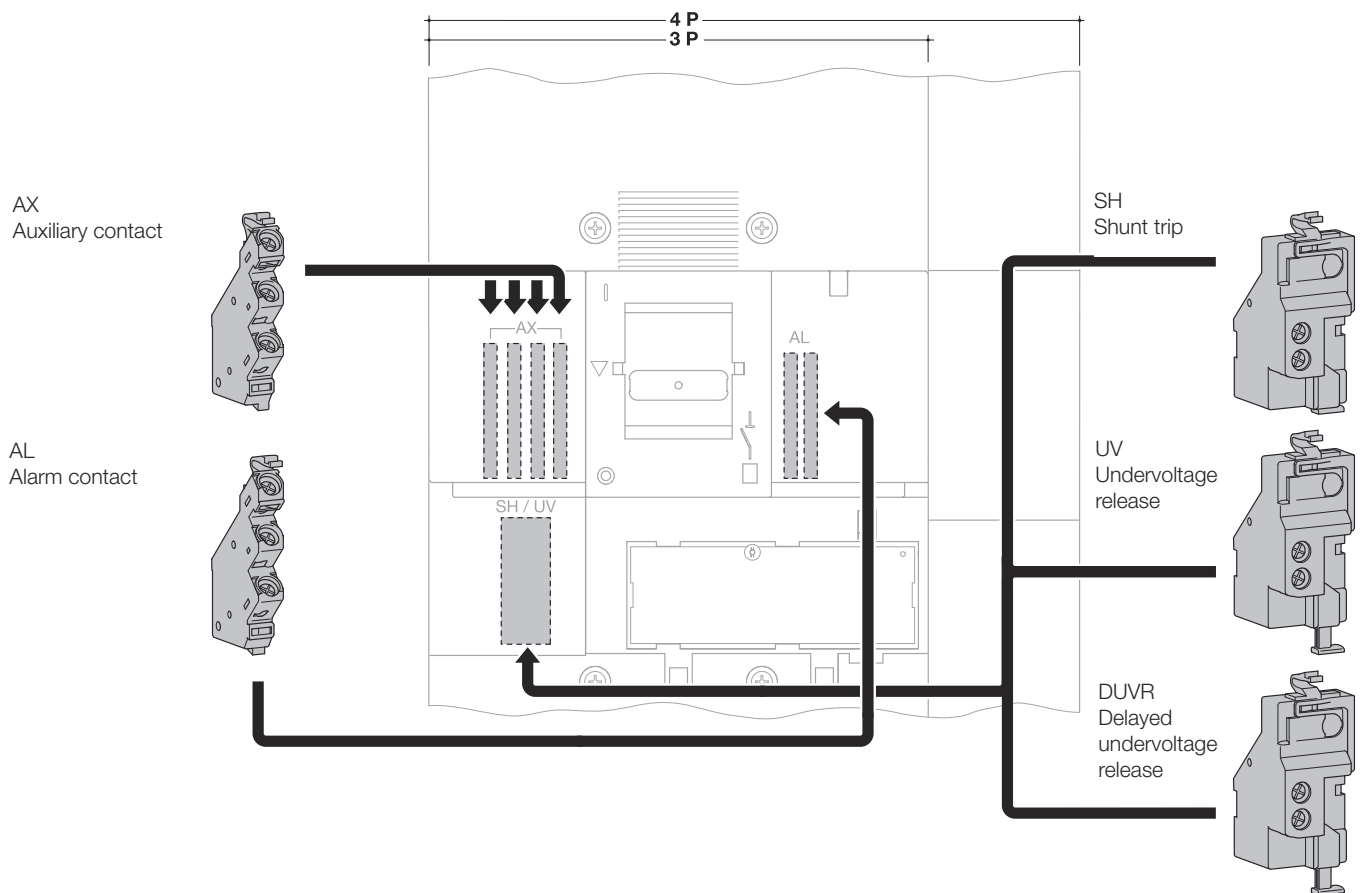


Auxiliaries

Auxiliaries for MCCBs and free tripping switches



Mounting combination for auxiliaries and releases



# Manual Changeover Switches 63A to 1600A



## Advantages for you:

---

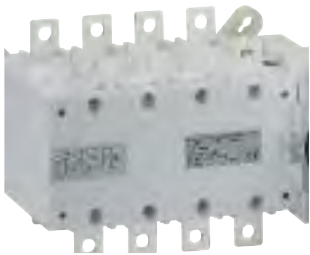
- Double break per pole facilitating suitability for isolation as per IEC 60947-3
- Safe isolation at 0 position for maintenance
- Compact dimension to save panel space
- Flexibility to mount accessories on site
- Voltage free stable position contact (I, 0, II)
- Line load reversibility
- Silver plated contact for long life

## Technical data:

---

- Complies with IEC 60947-3
- Rating: 63A - 1600A
- Suitable for AC23
- Lockable position: 0

# Expert tips



**01**

Quick switching operation by spring action with sweeping silver contacts



**02**

Compact dimension with back to back terminals



**03**

3 stable position changeover with padlocking at zero position for maintenance on direct & extended handle



**04**

Site mountable wide range of accessories based on application needs

# Manual changeover switches

## 63 to 1600A

### Manual changeover switches,

63 to 1600A

Allows manual switch, changeover switch or on load power circuit permutation.

For safety breaking.

- 4P,
- lockable on position: I, O or II
- Mounting on perforated plate or crossbars.
- Comply with EN 60 947-3.
- Connection with terminals.

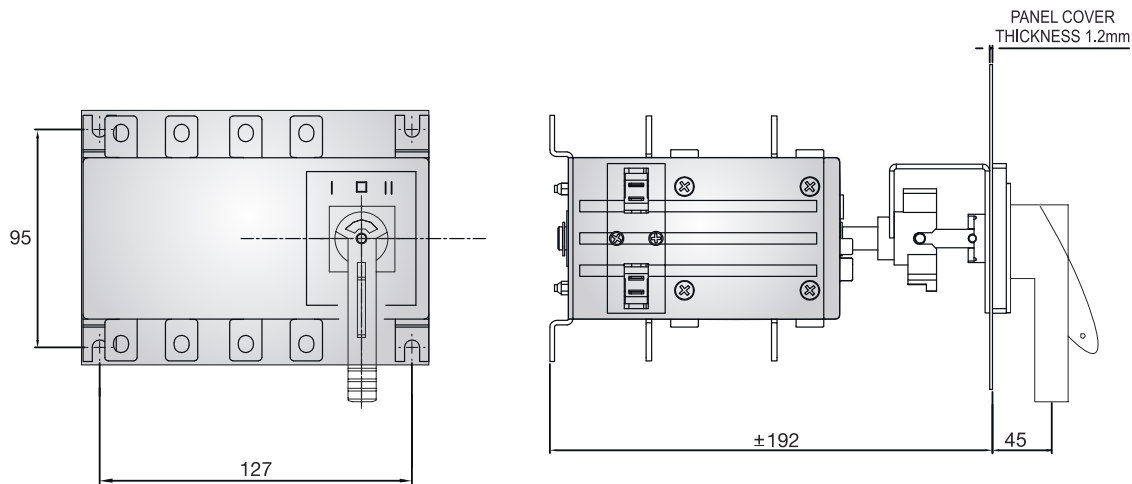
	Description	Characteristics	In/A	Cat. Ref.
 <p>HI4511</p>	Manual changeover switches	4P 3 positions: I-O-II	63A	<b>HI403I</b>
			100A	<b>HI405I</b>
			125A	<b>HI451I</b>
			160A	<b>HI452I</b>
			250A	<b>HI454I</b>
			400A	<b>HI456I</b>
			630A	<b>HI458I</b>
			800A	<b>HI460I</b>
			1250A	<b>HI462I</b>
			1600A	<b>HI464I</b>
 <p>HZI002I HZI003I</p>	External handle 3 positions: 0-I-II locked with 3 padlocks	for switches 250 to 400A for switches 800 to 1600A		<b>HZI002I</b>
				<b>HZI003I</b>
 <p>HZC1011</p>	Shaft extension	for switches 125 to 630A, 200mm for switches 125 to 630A, 320mm for switches 125 to 160A, 200mm for switches 125 to 160A, 200mm		<b>HZC101I</b>
				<b>HZC102I</b>
				<b>HZC105I</b>
				<b>HZC106I</b>
 <p>HZC204I</p>	Terminal shroud	for switches 125 to 160A top and bottom 2 pieces / packaging for switches 200 to 400A for switches 400 to 630A		<b>HZC202I</b>
				<b>HZC204I</b>
				<b>HZC206I</b>
 <p>HZ160I HZ163MI HZ164MI</p>	Auxiliaries contacts	for switches 125 to 1600A 1NO + 1NC Terminal shield top bottom		<b>HZ160I</b>
				<b>HZ163MI</b>
				<b>HZ164MI</b>

Technical characteristics

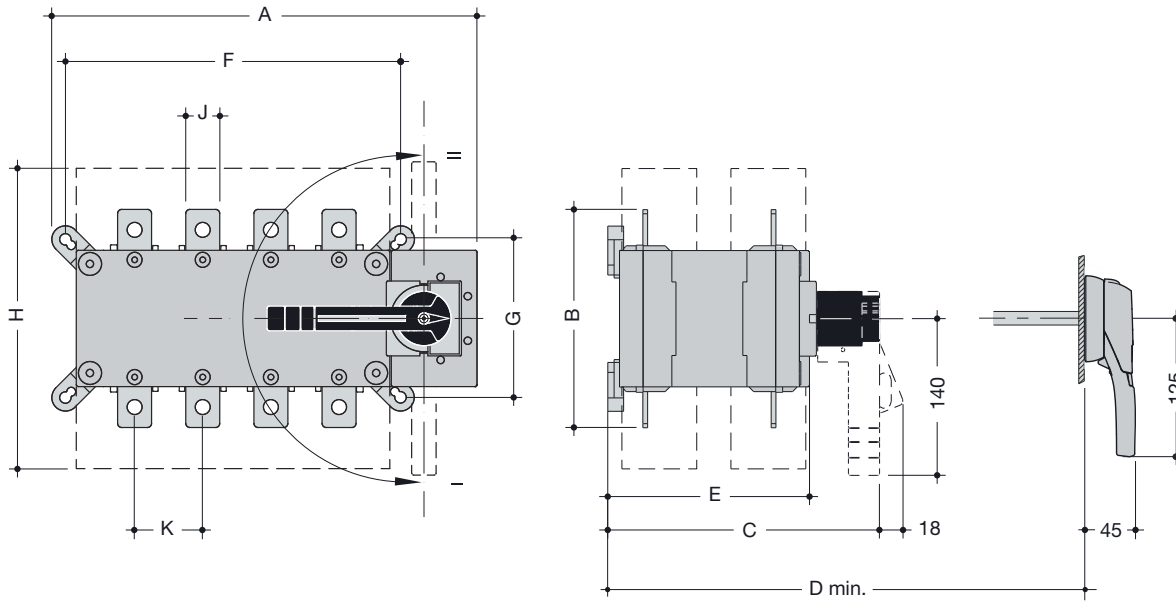
	HI403I	HI405I	HI451I	HI452I	HI453I	HI454I	HI455I	HI456I	HI458I	HI460I	HI461I	HI462I	HI464I
In	63 A	100 A	125 A	160 A	200A	250 A	315A	400 A	630 A	800 A	1000A	1250 A	1600 A
insulation voltage $U_i$ (V)	750	750	800	800	800	800	1000	800	1000	1000	1000	1000	1000
impulse withstand voltage $U_{imp}$ (kV)	6	6	8	8	8	12	12	8	12	12	12	12	12
$I_e$ AC 22A / 22B, 400 V (A)	63	100	125	160	200	250	315	400	630	800	1000	1250	1600
$I_e$ AC 23A / 23B, 400 V (A)	63	100	125	160	200	250	315	250	500	800	1000	1250	1600
operational power (kW) AC 23A à 400 V	30	30	63	80	80	132	132	220	280	450	710	710	710
short circuit current with gG DIN fuses (kA)	80	80	100	100	50	50	50	18	70	50	100	100	100
associated fuse rated (A)	63	100	125	160	200	250	315	400	630	800	1000	1250	2 x 800
rated short circuit making capacity $I_{cm}$ (kA peak)	15	15	12	12	12	17	22	15,3	30	48	75	75	86
rated short time withstand current $I_{cw}$ (kA/1s)	5	5	7	7	7	9	9	9	13	26	35	50	50
mechanical endurance (cycles)	10000	10000	10000	10000	10000	10000	10000	8000	5000	3000	10000	4000	4000
connection for lugs (mm <sup>2</sup> )	16	25	50	95	120	150	240	240	2 x 300	2 x 300	4 x 185	4 x 185	6 x 185

Dimensions diagram (in mm)

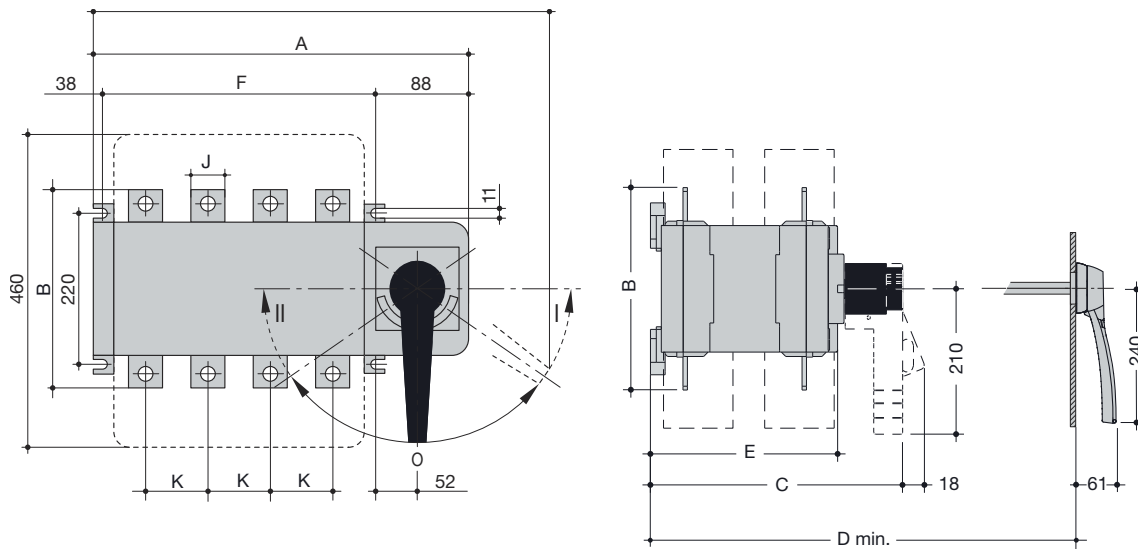
63A - 100A



125A - 630A



800A - 1600A



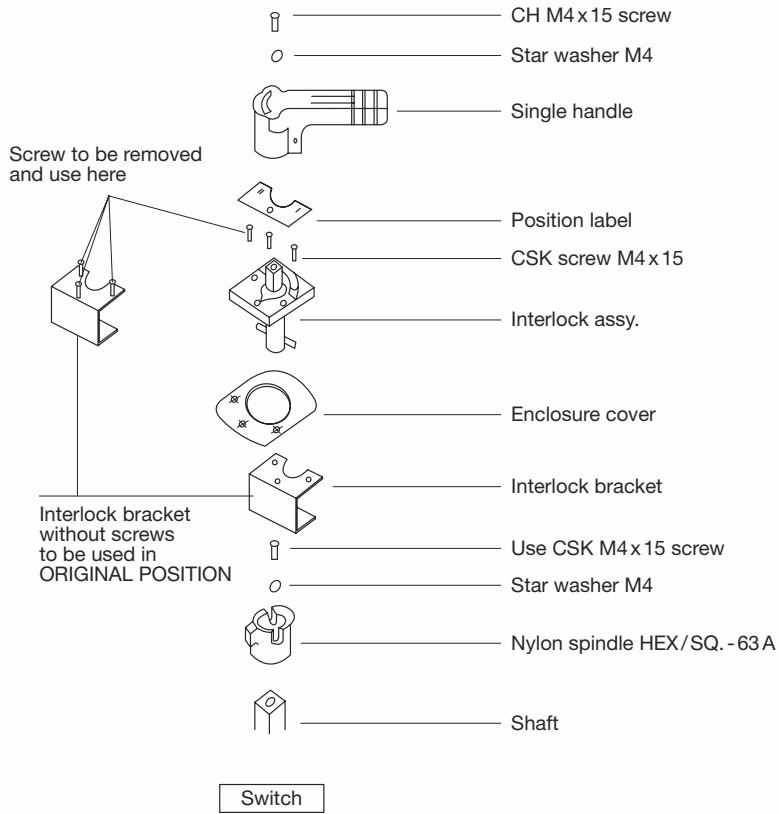
Dimensions (in mm)

	Rating	A	B	C	D	E	F	G	H	J	K	L
HI451I	125A	251	135	218	208	148	186	101	235	20	36	-
HI452I	160A	251	135	218	208	148	186	101	235	20	36	-
HI453I	200A	251	160	218	208	148	246	116	280	20	50	-
HI454I	250A	312	160	218	208	148	246	116	280	25	50	-
HI455I	315A	312	170	218	208	148	246	116	280	35	50	-
HI456I	400A	312	170	218	208	148	246	116	280	35	50	-
HI458I	630A	379	260	295	285	225	306	176	400	45	65	-
HI460I	800A	466	320	375	390	298	336	250	459	50	80	609
HI461I	1000A	466	321	375	425	298	336	250	459	50	80	-
HI462I	1250A	466	330	375	425	298	336	250	459	60	80	741
HI464I	1600A	598	360	375	425	298	467	250	461	90	120	741

Fixing of door interlock mechanism

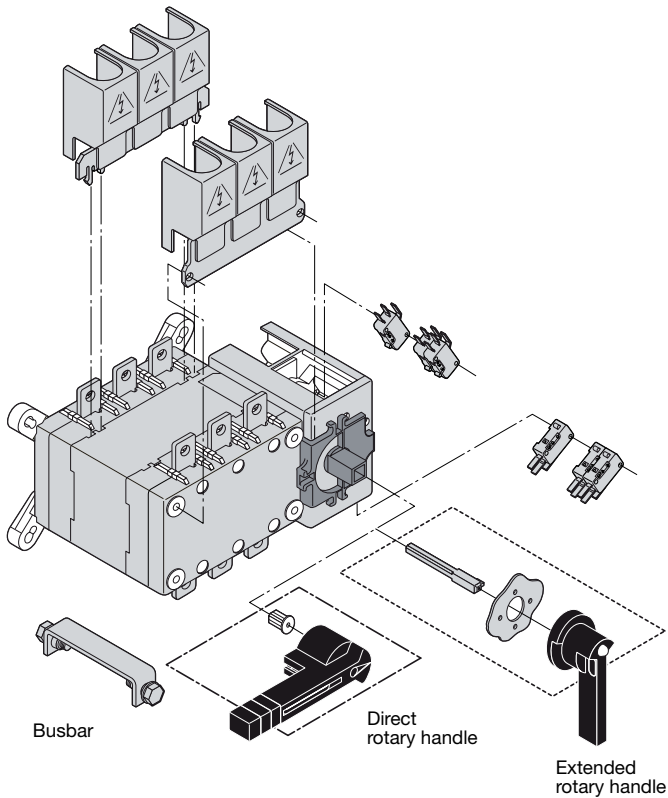
Rating: 63A - 100A

Change over switch



Mounting

Rating: 125A - 630A



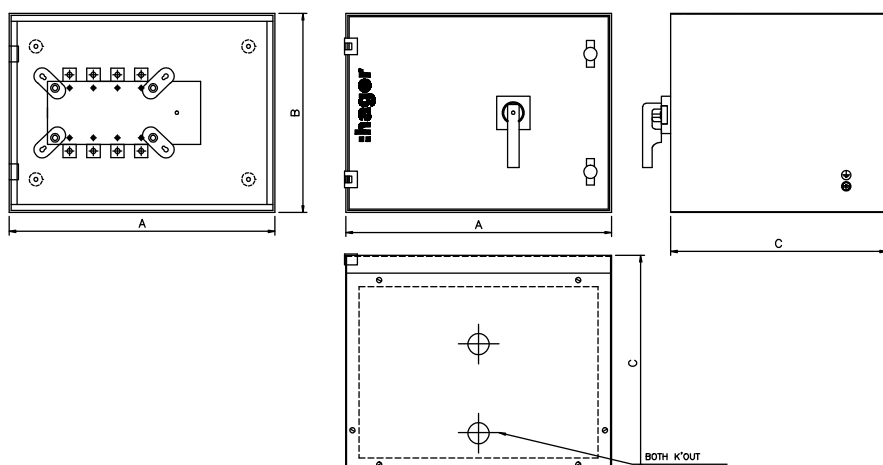
# Manual changeover switch enclosures 63 to 1600A

Enclosure for Manual Changeover Switch



# Note: Enclosures are supplied, assembled together with Manual Changeover Switch

Diagram:



Dimensions (in mm)

	Rating	A	B	C	K'OUT
VYE63M	63A	250	202	205	32
VYE100M	100A	250	202	205	32
VYE125M	125A	355	350	275	32
VYE160M	160A	355	350	275	32
VYE250M	250A	420	410	275	50
VYE400M	400A	420	410	275	50
VYE630M	630A	520	580	353	50
VYE800M	800A	610	680	538	50
VYE1000M	1000A	800	680	538	50
VYE1250M	1250A	800	680	538	50
VYE1600M	1600A	800	680	538	50



# The changeover specialist.

Wide range of changeovers for continuity of power from 0.5A to 1600A.



# Automatic Transfer Switches

## 125A to 1600A



### Advantages for you:

---

- Manual override function for emergency operations
- Flexibility to have line load reversibility
- Voltage free stable position contact (I, 0, II)
- Position indicator
- LED indicator of power ON and manual override
- Padlocking facility at zero position in manual mode for maintainance
- Emergency stop command option available

### Technical data:

---

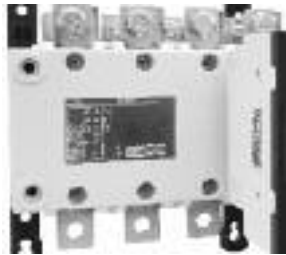
- Complies with IEC 60947-6-A
- Rating: 125A - 1600A
- Suitable for AC33B
- Lockable on position: 0

# Expert tips



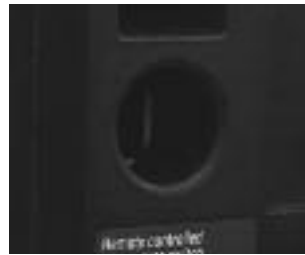
**01**

Padlocking facility in zero position and manual mode



**02**

Line load reversibility



**03**

Emergency manual operation by removable handle



**04**

Position indicator



**05**

Power ON and Manual override indicator



**06**

Plug-in terminals

# Automatic Transfer Switches Controller



## Advantages for you:

---

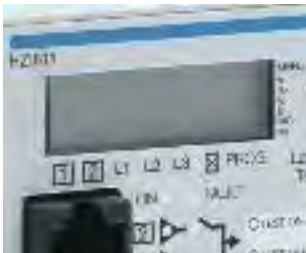
- Easy parameter display using remote interface
- Controller with On / Off load testing facility
- Controller with Genset Start / Stop option
- Plugin terminals for convenient wiring
- LED indication of source and changeover status

## Technical data:

---

- Voltage monitoring
- Frequency monitoring
- Phase sequence monitoring
- No auxiliary supply required
- Security access codes for programming and testing

# Expert tips



**01**

Controller with LCD for parameter display for easy monitoring and flexibility to modify parameters



**02**

Genset Start / Stop function enables convenient control of Genset during power failure



**03**

RJ45 port allows easy communication with Remote Interface



**04**

LED Indication of source availability and changeover position



**05**

Over / Under voltage,  
Over / Under frequency  
Phase sequence monitoring  
and adjustable delay timers



**06**

ON-OFF testing  
facility for the system

# Automatic transfer switches

## 125 to 1600 A

### Automatic changeover switches, 125 to 1600A

Allows automatic switch, changeover switch or on load power circuit permutation.  
for safety breaking.

- 4P,
- lockable on position: O
- Mounting on perforated plate or crossbars.
- Comply with NF EN 60 947-3.
- Connection with terminals.



HIB412I

Description	Characteristics	In/A	Cat. Ref.
<b>Automatic changeover switches</b>	4P Positions: O	125A	<b>HIB412I</b>
		160A	<b>HIB416I</b>
		250A	<b>HIB425I</b>
		400A	<b>HIB440I</b>
		630A	<b>HIB463I</b>
		800A	<b>HIB480I</b>
		1000A	<b>HIB490I</b>
		1250A	<b>HIB491I</b>
		1600A	<b>HIB492I</b>



HZI811I

<b>Automatic transfer relays* controller</b>		<b>HZI811I</b>
<b>Double power supply for Motorized Changeover</b>		<b>HZI812I</b>
<b>Terminal shroud</b>	for switches 125 to 160A	<b>HZC202I</b>
<b>top and bottom 2 pieces / packaging</b>	for switches 200 to 400A	<b>HZC204I</b>
	for switches 400 to 630A	<b>HZC206I</b>

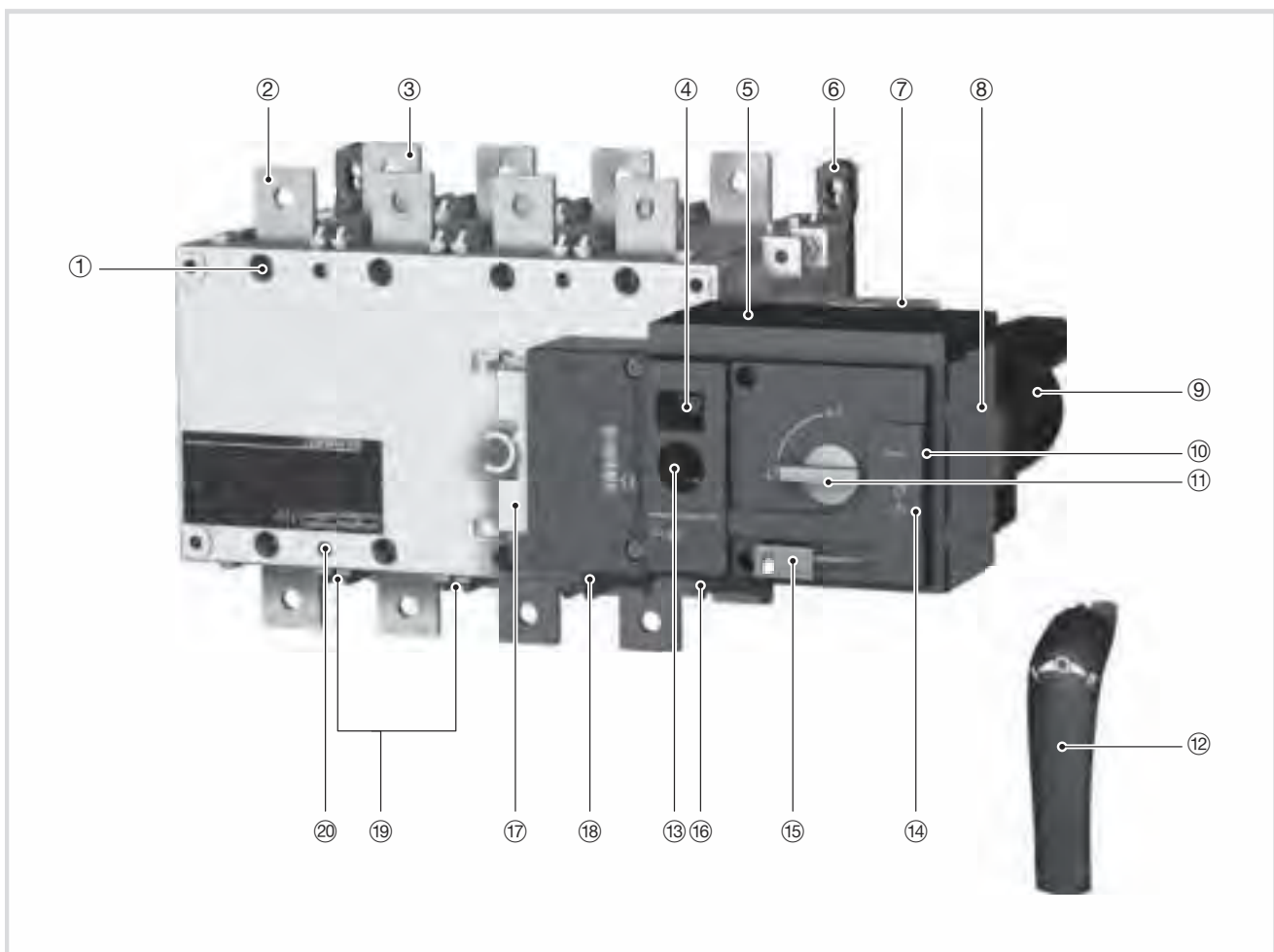


HZI910I

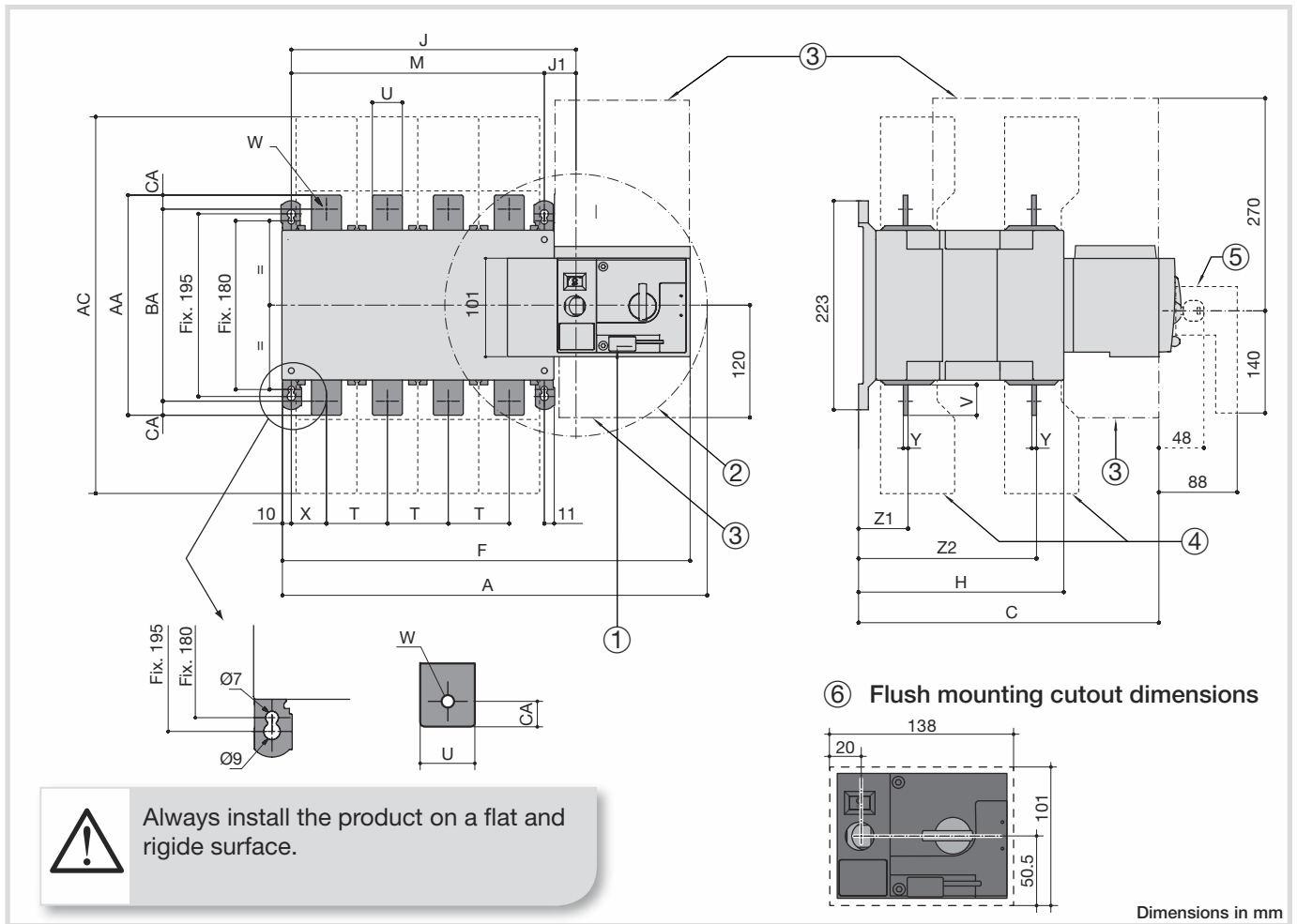
<b>Terminal covers</b>	for switches 125 to 160A	<b>HZI201I</b>
	for switches 250 to 400A	<b>HZI202I</b>
	for switches 630A	<b>HZI203I</b>
	for switches 800 to 1250A	<b>HZI204I</b>
	for switches 1600A	<b>HZI205I</b>
<b>Remotes</b>	changeover status display	<b>HZI910I</b>
	changeover status and control display	<b>HZI911I</b>

\* Controller is necessary for Automatic changeover to function

- ① Power Section: Changeover switch assembly with inherent mechanical interlock.
- ② Front: Switch number 1 terminals (3 or 4 pole).
- ③ Back: Switch number 2 terminals (3 or 4 pole).
- ④ Switch position indication window :
- I (On) - O (Off) - II (On).
- ⑤ Top cover.
- ⑥ Back-plate mounting fixing lugs.
- ⑦ Auxiliary power supply: 230 VAC (208 - 277 VAC ± 20 % ➔ 166 - 332 Vac).
- ⑧ Motorized Control Unit.
- ⑨ Motor housing.
- ⑩ Green LED Indication: Power (if control voltage input of the product is within specified range).
- ⑪ Auto / Manual mode selector switch.
- ⑫ Emergency manual operation "Direct Handle".
- ⑬ Emergency manual operation shaft location (Accessible only in manual mode).
- ⑭ Red LED Indication: Product Unavailable / Manual Mode / Fault Condition.
- ⑮ Padlocking facility (Up to 3 padlocks of dia. 4 - 8 mm).
- ⑯ Output contacts x 4 (Position indication I - O - II and product availability outputs).
- ⑰ Handle fixing clip.
- ⑱ Input contacts x 5: Position order I - O - II, Remote control enable, Override controls and force to Off position
- ⑲ Sliders for Terminal Shields
- ⑳ Fixing holes for terminal Shields



### Frame dimensions (125A to 630A)



Always install the product on a flat and rigid surface.

- ① Padlocking Facility: Locking bracket for up to 3 padlocks of dia. 4-8 mm.
- ② Emergency manual operation: Maximum operating radius with an operating angle of  $2 \times 90^\circ$ .
- ③ Connection and disconnection area.
- ④ Terminal cover.
- ⑤ Emergency manual operation (direct handle).
- ⑥ Flush mounting cutout dimensions for front door.



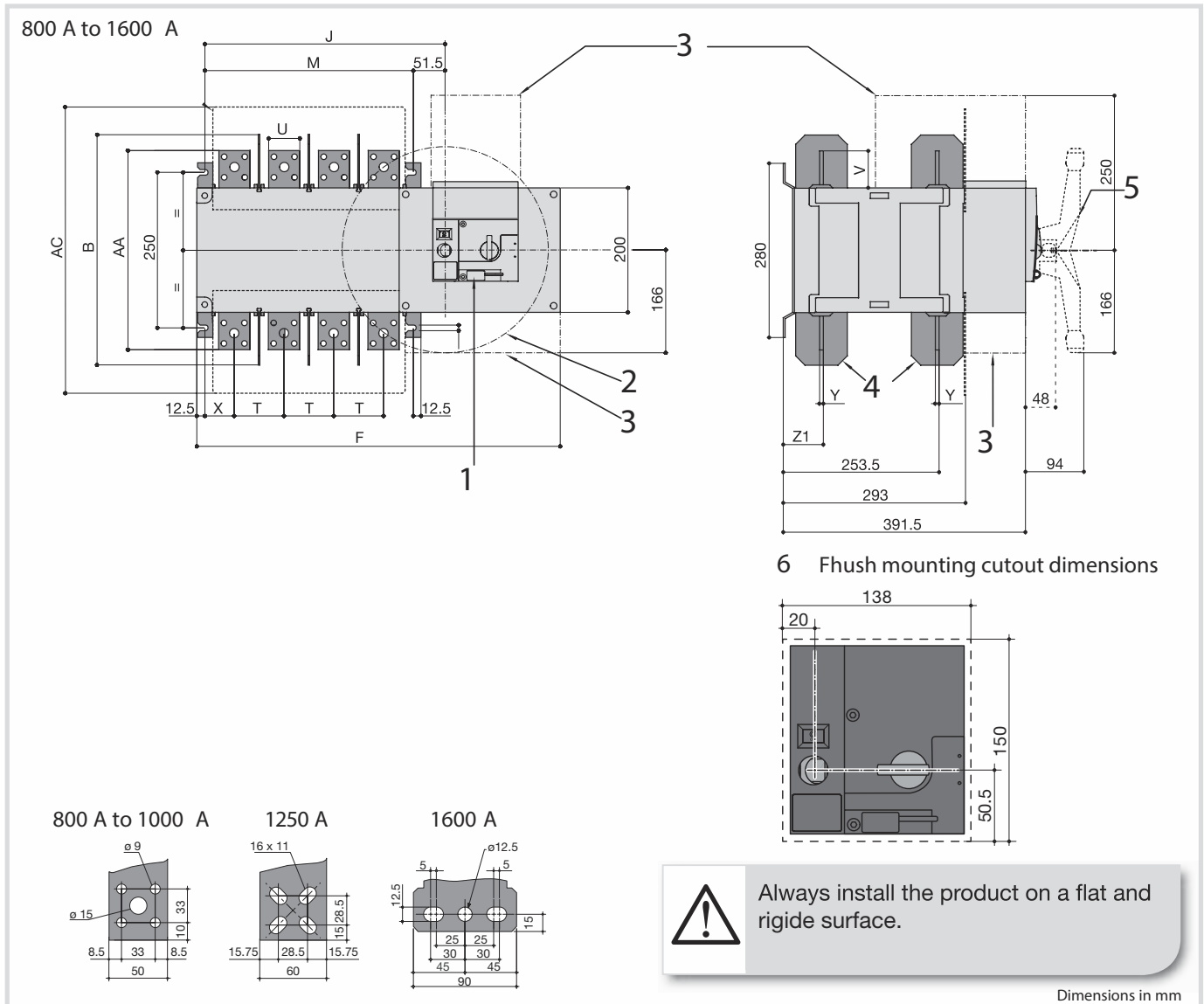
To consider the space required for manual operation and wiring.  
(When using the emergency handle)

Rating (A)	Overall dimensions			Terminal Shrouds	body			Switch mounting	Connection										
	A	C	F		AC	H	J		J1	M	T	U	V	W	X	Y	Z1	Z2	AA
125	334	244	317	233	151	184	34	150	36	20	25	9	22	3,5	38	134	135	115	10
160	334	244	317	233	151	184	34	150	36	20	25	9	22	3,5	38	134	135	115	10
200	334	244	317	233	151	184	34	150	36	20	25	9	22	3,5	38	134	135	115	10
250	395	244	378	288	152	245	35	210	50	25	30	11	33	3,5	39,5	133,5	160	130	15
315	395	244	378	288	152	245	35	210	50	25	30	11	33	3,5	39,5	133,5	160	130	15
400	395	244	378	288	152	245	35	210	50	35	35	11	33	3,5	39,5	133,5	170	140	15
500	454	321	437	402	221	304	34	270	65	45	50	13	37,5	5	53	190	260	220	20
630	454	321	437	402	221	304	34	270	65	45	50	13	37,5	5	53	190	260	220	20


Dimensions in mm



Frame dimensions (800A to 1600A)



- 1 Padlocking Facility: Locking bracket for up to 3 padlocks of dia 4-8 mm.
- 2 Emergency manual operation: Maximum operating radius with an operating angle of 2x90°.
- 3 Connection and disconnection area.
- 4 Terminal cover.
- 5 Emergency manual operation (direct handle).
- 6 Flush mounting cutout dimensions for front door.

 To consider the space required for manual operation and wiring. (When using the emergency handle)

Rating (A)	Overall dimensions B	Terminal Screens AC	body		Switch mounting M	Connection						
			F	J		T	U	V	X	Y	Z1	AA
800	370	461	584	387	335	80	50	60,5	47,5	7	66,5	321
1000	370	461	584	387	335	80	50	60,5	47,5	7	66,5	321
1250	370	461	584	387	335	80	60	65	47,5	7	66,5	330
1600	380	531	716	519	467	120	90	44	53	8	67,5	288

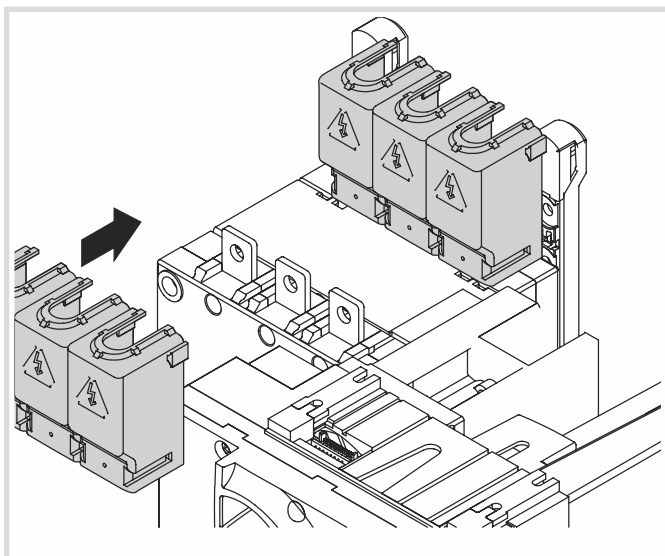
Dimensions in mm

### Mounting orientation

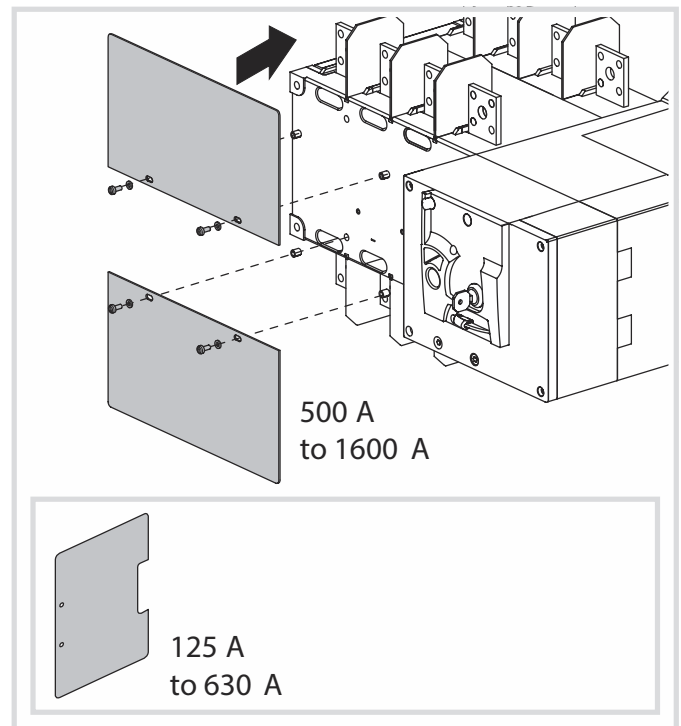
125 A to 630 A	Recommended	OK	Not Allowed	OK
800 A to 1600 A	Recommended	Not Allowed	OK	OK

### Terminal shrouds available from 125 A to 630 A

- Upstream, downstream, front or rear mounting.
- When fitted with bridging bars only the front terminal shrouds are to be installed.

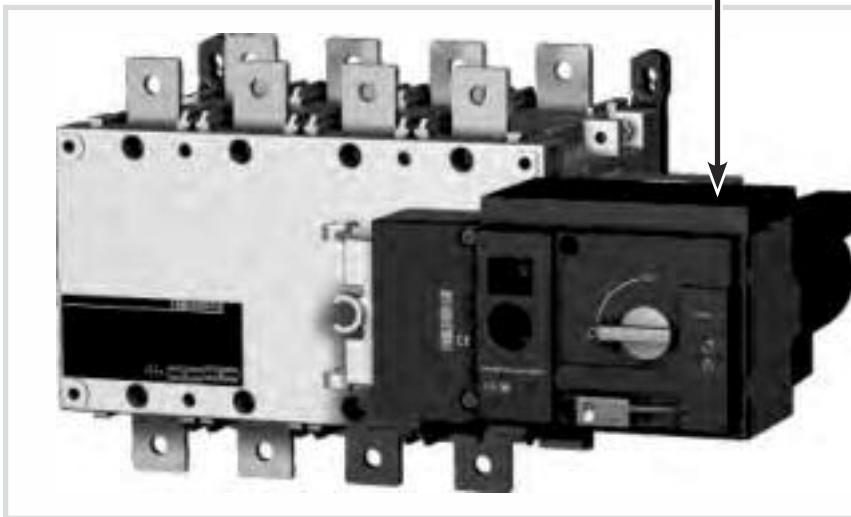
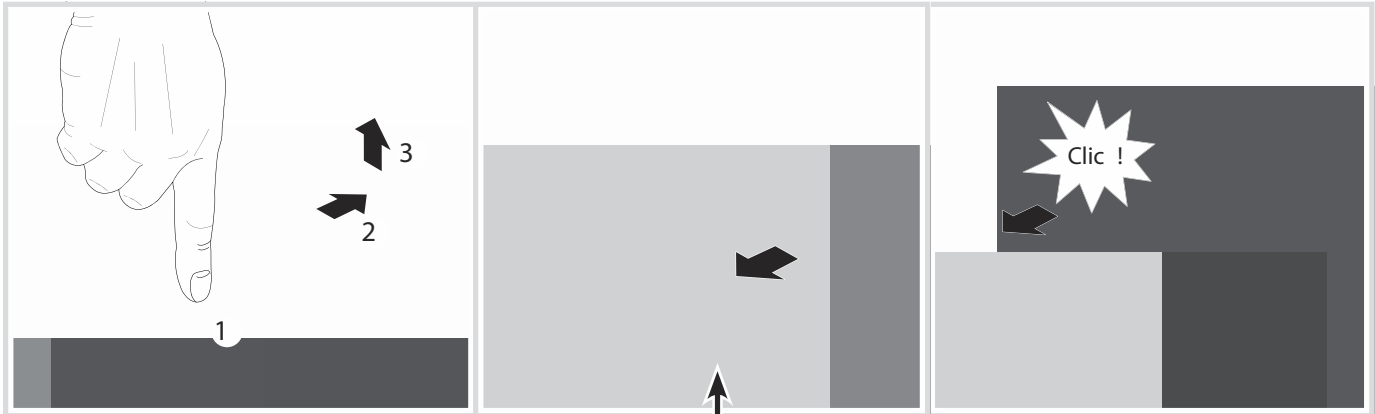



### Terminal screens available from 125 A to 1600 A




**Power supply terminal and control / command terminals**

Remove the top cover to access and connect the terminal - Replace the cover before putting in service.

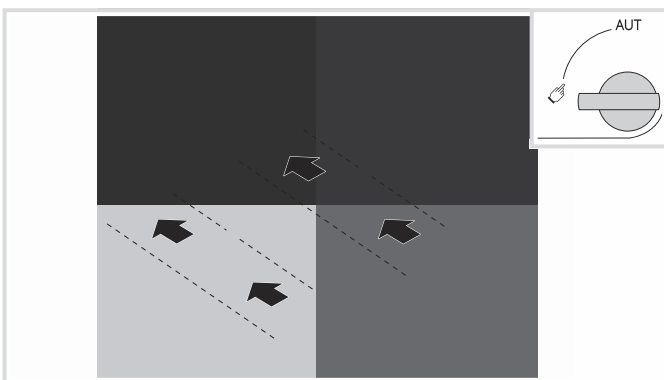



 Verify that the auxiliary power supply feedings terminals 301 and 302 are within the limits of 208 VAC ⇒ 277 VAC ±20 % (166 - 332 VAC).

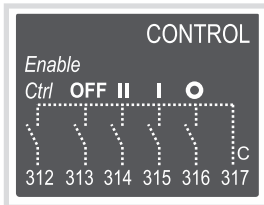
301 L	302 N	Power supply L:	301
		Power supply N:	302
Aux Supply 230V~ (208-277V~ +/-20%)			

 All pressure on the connector pins is to be avoided during wiring of the auxiliary cables.

Ensure that the product is in manual mode

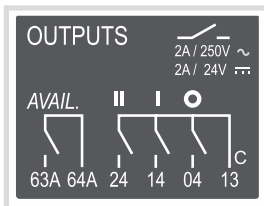


 Do not handle any control or power cables connected to the product when voltage may be present.




Control enable:	312
Override to OFF :	313
Sw to Pos II I/P :	314
Sw to Pos I I/P :	315
Sw to Pos O I/P :	316
Common:	317

Use cables with 1,5 to 2,5 mm<sup>2</sup> section.  
Screw M3 - Tightening torque: mini: 0,5Nm - maxi: 0,6Nm.






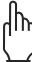
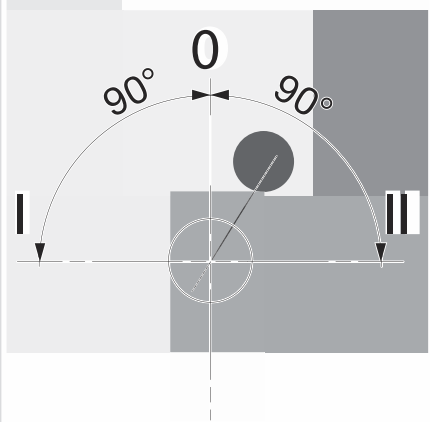

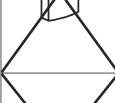

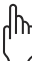



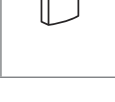


Prod Avail Common:	63 A
Prod Avail O/P :	64 A
Pos II Aux Contact:	24
Pos I Aux Contact:	14
Pos O Aux Contact:	04
Common:	13


Denomination	Terminal	Description	Characteristics	Recommended Cable Section
Signalisation Outputs	13	Common I - O - II for Aux Contacts.	Dry Contacts 2A AC1/250V	1,5 mm <sup>2</sup>
	04	Aux Contact Position O - Normally Open Contact.		
	14	Aux Contact position I: Normally Open Contact.		
	24	Aux Contact position II: Normally Open Contact.		
	63 A	Product Available : Normally Open Contact. Closed when the product is in Auto mode and motorisation is operational. (No Fault powered and ready to changeover)		
	64 A			
Power supply Input	301	Power supply - L	208 - 277 VAC ±20 % : 50/60Hz	1,5 mm <sup>2</sup>
	302	Power supply - N		
Control Inputs	312	Remote Control Mode Enable when closed with 317.	 <p>Do not connect terminals 312 to 317 to any power supply. These order inputs are powered through terminal 317 and external dry contacts ONLY Max cable length 100 m</p>	1,5 mm <sup>2</sup>
	313	Position O order if closed with 317 (Priority order input forcing the product to remote control mode and O position).		
	314	Position II order if closed with 317.		
	315	Position I order if closed with 317.		
	316	Position O order if closed with 317.		
	317	Common control terminal for 312 - 316 ATS (Specific Voltage Supply)		

The product includes 3 safe and distinct operating modes through a selector switch located on the front of the product.

The modes of operation are as follows:

- Auto Mode : Remotely operated transfer switching,
- Manual Mode : Local emergency manual operation,
- Locked Mode : Secure locked pa locking facility.

<p>AUT mode</p>		<p>AUT</p>  	<p>AUTO Mode</p> <ul style="list-style-type: none"> <li>• Activates the remote control inputs and the controller automation.</li> <li>• Inhibits the padlocking facility.</li> <li>• Inhibits the insertion of the manual operation handle when in AUT Mode.</li> </ul> <p>AUTO Mode position is inhibited when padlocked or when the handle for manual operation is inserted into the product.</p>
<p> mode</p>		<p>AUT</p>  	<p>MANUAL Mode (Not Padlocked)</p> <ul style="list-style-type: none"> <li>• Inhibits the control inputs.</li> <li>• Allows to insert the handle for emergency manual operation.</li> <li>• Allows padlocking in O Position. (With the handle for manual operation removed).</li> </ul> <p>Turning the selector switch to  from AUT and back to AUT resets a fault state.</p>
<p> mode </p>		<p>AUT</p>  	<p>MANUAL Mode ( Padlocked)</p> <ul style="list-style-type: none"> <li>• Inhibits the control inputs.</li> <li>• Inhibits insertion of the emergency handle.</li> <li>• Allows padlocking when in O Position.</li> </ul> <p>  POS O</p>

 Depending on the state of the product the ATS automation may change the switch position as soon as the mode selector is switched to AUT. This is a normal operation.

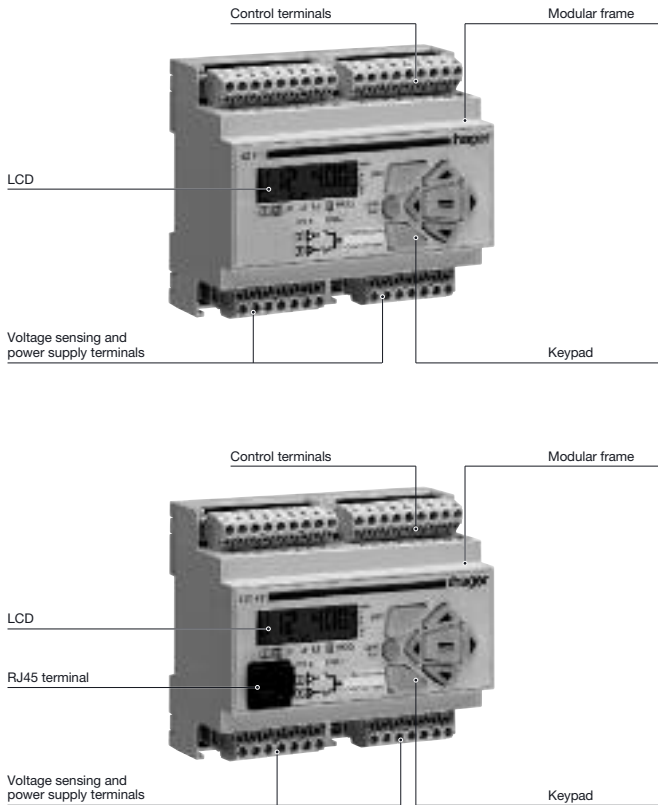
It is recommended to verify the tightening torque of all connections and to operate the product in a full operating cycle (I - O - II - O - I : Auto or Manuel ) at least once a year.

Note: Maintenance should be planned carefully and carried out by qualified and authorised personnel. Consideration of the critical level and application where the product is installed should form an essential and integral part of the maintenance plan. Good engineering practice is imperative whilst all necessary precautions must be taken to ensure that the intervention (whether directly or indirectly) remains safe in all aspects.

### Trouble shooting guide

The product does not operate electrically.	<ul style="list-style-type: none"> <li>• Verify the power supply on terminals 301 - 302: 208 - 277 VAC <math>\pm</math>20 %.</li> <li>• Verify that the front selector switch is in position (AUT).</li> <li>• Verify that contacts 313 and 317 are open.</li> <li>• Verify that the power LED (Green) is On whilst the fault LED (RED) is off.</li> <li>• Verify that the product is available with contacts 63A and 64 A closed.</li> </ul>
It is not possible to manually operate the switch.	<ul style="list-style-type: none"> <li>• Verify that the front selector switch position is on the Manual position.</li> <li>• Make sure that the product is not padlocke.</li> <li>• Verify the rotation direction of the handle.</li> <li>• Apply a sufficient progressive action in the direction as indicated on the handle.</li> </ul>
Electrical operation does not correspond to external order I, O, II.	<ul style="list-style-type: none"> <li>• Verify the selected control logic wiring (impulse or contactor).</li> <li>• Verify the connector connections.</li> </ul>
The fault / manuel LED is ON.	<ul style="list-style-type: none"> <li>• The FAULT/MANUAL LED is on when in manual mode (this is normal) and in AUT Mode when there is an internal fault in the product. To reset a fault condition switch the product from AUT to Manu and back to AUT. Should the fault LED remain on you will need to localize and clear the fault prior to reset.</li> <li>• The FAULT/Manual LED will also be on when contact 313 is closed with 317. (Force the product to off position). This is a normal condition.</li> <li>• Should the Fault LED remain on abnormally, contact hager.</li> </ul>
Impossible to padlock.	<ul style="list-style-type: none"> <li>• Verify that the front selector switch is in manual position.</li> <li>• Verify that the emergency handle for manual operation is not inserted into the product manual slot.</li> <li>• Verify that the product is in O position (Padlocking is only possible in O position for standard products).</li> </ul>

Product introduction

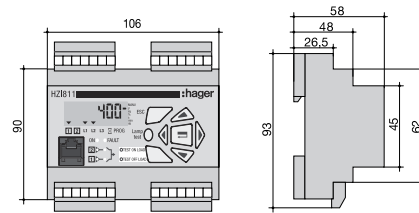


Mounting

> DIN rail mounting



Dimensions

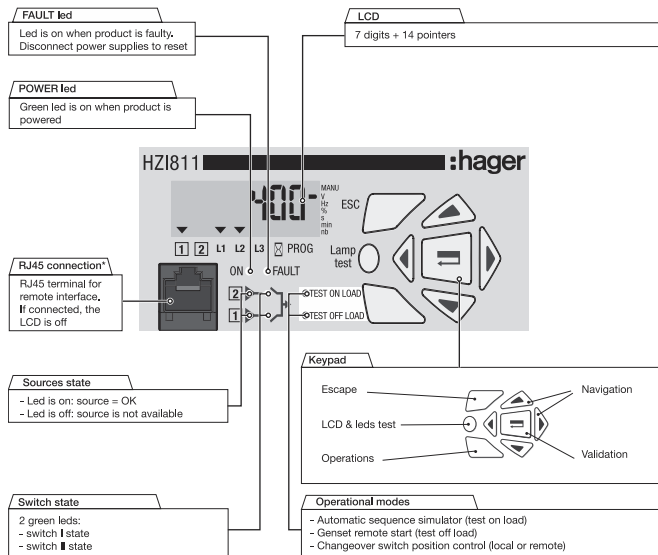


Characteristics

- > IP: IP2 and class II on front face
- > Operation:
  - Temperature : -20 °C to +60 °C
  - Humidity : 80 % at 55 °C, 95 % at 40 °C
- > Consumption: 7,5 VA max
- > Measurement category: Cat III

Presentation

- The product allows :
- sources control,
  - automatic transfer control in AUT mode,
  - parameters configuration,
  - voltage and frequency metering,
  - system state display,
  - alarm or fault indication.



\* only on HZI 811

SOFTWARE VERSION

Displayed after reset.  
(3 minutes power off action to allow reset).



Operational modes

VISUALISATION

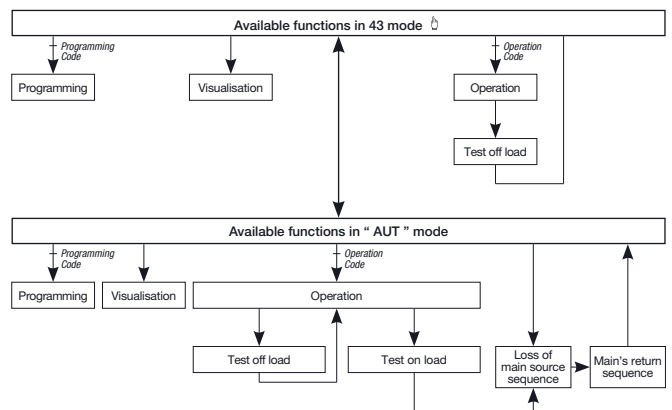
Measured values & parametered timers display. Always accessible without code.

PROGRAMMING

Parameters configuration. Password access (code 1000 from factory). The manual mode must be programmed on an input if required.

OPERATION

Test sequences, Password access (code 4000).



PHASES ROTATION CONTROL

Function available only on source 1 incase of 3NBL, 4NBL and 41NBL network. If a fault is detected, the source 1 is not indicated as available.



displayed according to faulty source.

## Programming

This mode allows product parameters configuration Always accessible  $\Delta$  /in mode (when programmed on an input). Always accessible in AUT mode, changeover switch on priority source, priority source being available N of accessible when "test off load", "test on load" functions are active or during automatic sequence.

Parameters requiring programming before use :

- type of network
- nominal voltage
- nominal frequency
- control logic.
- number of auxiliary contact.

**> Navigation dans les menus**

- Parameters access: Press "up", "down", "left" & "right" push buttons
- Parameter modification: "left" & "right" push button to access the parameter to modify Press "up" and "down" push buttons to modify the parameter and "validate"
- Return to main menu: press "ESC" push button Value is only modified after validation

**> Programming access**

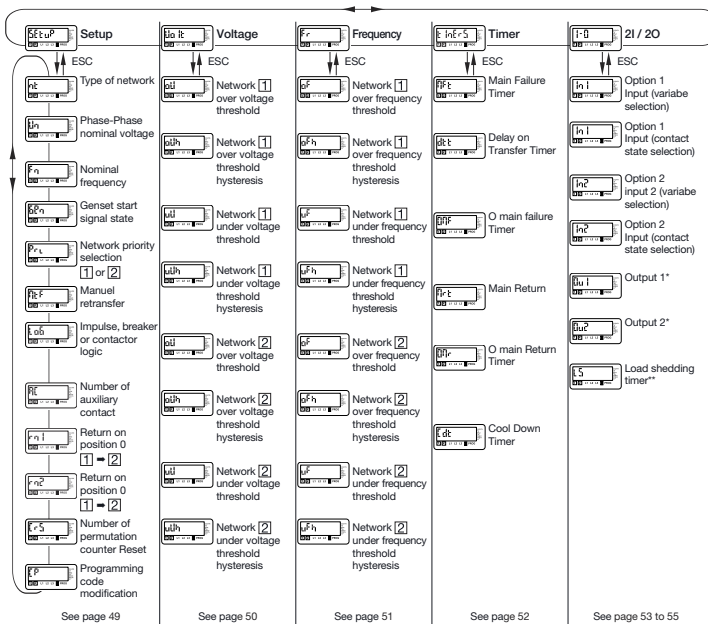
- Step 1 : press and hold for 5 s "validation" push button
- Step 2 : enter code (factory code = 1000) using navigation push buttons
- Step 3 : press validation

**> Programming exit**

- Press and hold for 5 s "validation" push button

## Programming

### PROGRAMMING MENU ARCHITECTURE

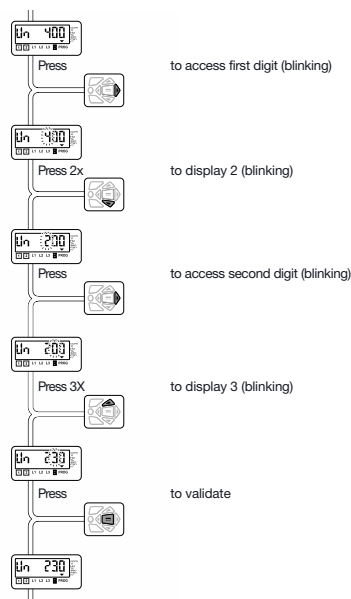


\* Availability of output functions depending on control logic selection (impulse, breaker or contactor logic)  
 \*\* Displayed if LS variable has been selected.

## Programming

### PARAMETER MODIFICATION

**> Example :**  
 Modify network [1] nominal voltage from 400 to 230V.



## Programming

### PARAMETERS CHARACTERISTICS

**> Menu setup :**

LCD	Denomination	Definition	Setting range	Default values
	Type of network*	Number of active conductors of controlled network (refer to annexes)	1BL, 2BL, 2NBL, 3NBL, 4NBL, 41 NBL	4NBL
	Network nominal voltage	Phase-Neutral voltage for 1BL & 41NBL Phase-Phase voltage for others	from 100V to 400V	400V
	Network nominal frequency	Network nominal frequency	50 Hz or 60 Hz	50 Hz
	Genset start signal state	Normally opened or closed	NO or NC	NO
	Network priority selection	Keypad selection (1 or 2) Also possible via external contact using option 0: no network has priority	1, 0 or 2 ([1] or [2])	1([1])
	Manual Retransfer	Activation of the feature	Yes or No	No
	Type of control logic selection	Impulse, contactor or breaker.  It might be necessary for some breakers not to set up OMR and OMF timers to 0 (2 sec. for example).	Imp, con, brE	Imp
	Number of auxiliary contact	Depending on the number if available auxiliary contacts (switch, contactor, breaker)	0, 2, 3	2
	Parameter 1, return in position 0	Allows to go to position 0 in case of voltage or frequency outage (out if the defined U, f range)	Yes ou No	No
	Parameter 2 return in position 0	Allows to go to position 0 in case of voltage or frequency outage (out if the defined U, f range)	Yes ou No	No
	Number of 1 2 permutation counter Reset	Allows source [1] $\rightarrow$ source [2] automatic sequences counter reset	Yes ou No	No
	Programming code modification	Possible to change the programming code	from 0000 to 9999	1000

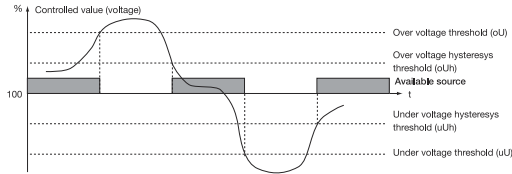
\* Refer to annexes



## Programming

> Volt menu

Threshold detection starts from the loss of source or source return sequence.



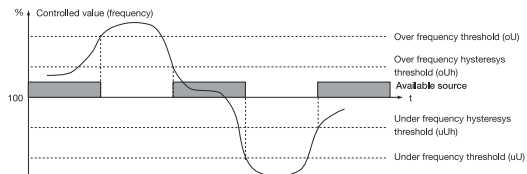
LCD	Denomination/Definition	Setting range	Default values
	Network [1] over voltage threshold	From 102 to 120 %	115 %
	Network [1] over voltage threshold hysteresis	From 101 to 119 % (< oU)	110 %
	Network [1] under voltage threshold	From 80 to 98 %	85 %
	Network [1] under voltage threshold hysteresis	From 81 to 99 % (> uO)	95 %
	Network [2] over voltage threshold	From 102 to 120 %	115 %
	Network [2] over voltage threshold hysteresis	From 101 to 119 % (< oU)	110 %
	Network [2] under voltage threshold	From 80 to 98 %	85 %
	Network [2] under voltage threshold hysteresis	From 81 to 99 % (> uU)	95 %

Values definition: % of nominal values.  
Hysteresis values range is limited by thresholds values.

## Programming

> Frequency Menu

Threshold detection starts from the loss of source or source return sequence.



LCD	Denomination/Definition	Setting range	Default values
	Network [1] over voltage threshold	From 101 to 120 %	105 %
	Network [1] over voltage threshold hysteresis	From 100,5 to 119,5 % (< oF)	103 %
	Network [1] under voltage threshold	From 80 to 99 %	85 %
	Network [1] under voltage threshold hysteresis	From 80,5 to 99,5 % (> uF)	97 %
	Network [2] over voltage threshold	From 101 to 120 %	105 %
	Network [2] over voltage threshold hysteresis	From 100,5 to 119,5 % (< oF)	103 %
	Network [2] under voltage threshold	From 80 to 99 %	95 %
	Network [2] under voltage threshold hysteresis	From 80,5 to 99,5 % (> uF)	97 %

Values definition: % of nominal values.  
Hysteresis values range is limited by thresholds values.

## Programming

> Menu Timer

LCD	Dénomination	Description	Plage de réglage	Valeurs par défaut
	Main Failure Timer	Delays priority network failure detection	From 0 to 60 s	5 s
	Delay on transfer Timer	Standby network stability validation before transfer	From 0 to 60 s	5 s
	O Main failure Timer	Rest in O position when transferring from main network to secondary network	From 0 to 20 s	0 s
	Main return Timer	Main network stability validation before re-transfer	From 0 to 30 min	2 min
	O main return Timer	Rest in O position when re-transferring from standby network to main network	From 0 to 20 s	0 s
	Cool down Timer	Allows generator cooling down period after load's retransfer from standby source (generator) to Main source	From 0 to 10 min	4 min

## Programming

> Inputs/Outputs Menu

Output relays are NO type (construction) and can not be configured as NC.

Input state can be configured: NC or NO.

LCD	Denomination/Definition	Setting range	Default values
	Input 1	Ft1, Ft2, Ft3, Ft4, Pri, Mtf, / S2A, MAN, Cts, tol, tft, EJP	/
	Input 1 state	NO, NC, /	No
	Input 2	Ft1, Ft2, Ft3, Ft4, Pri, Mtf, / S2A, MAN, Cts, tol, tft, EJP	/
	Input 2 state	NO, NC, /	No
	output 1	S1A, S2A, LS, /	/
	output 2	S1A, S2A, LS, /	/

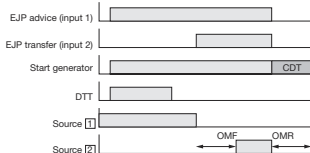
## Programming

### > Inputs/Outputs Menu Inputs

Variable	Description
Ft1	Fault input 1. The fault led is blinking as soon as the input is active and Ft1 is displayed on LCD. Reset when the input is de-activated
Ft2	Fault input 2. The fault led is blinking as soon as the input is active and Ft2 is displayed on LCD. Reset when the input is de-activated
Ft3	Fault input 3. The fault led is blinking as soon as the input is active and Ft3 is displayed on LCD. The transfer switch is immediately driven in 0 position (only in contactor mode). Keypad action (Validation) necessary to Reset the fault
Ft4	Fault input 4. The fault led is blinking as soon as the input is active and Ft4 is displayed on LCD. The transfer switch is immediately driven in 0 position (only in contactor mode). Keypad action (Validation) necessary to Reset the fault
Pri <sup>(1)</sup>	Priority network selection. Network 1 has priority when input is not activated. Network 2 has priority if input is active
Mtf	Remote manual re-transfer. Feature identical to manual transfer on keypad. Re-transfer from priority network to backup network is allowed from input activation (1s front). The Mtf variable in the setup menu must be selected (Yes) to allow input recognition
S2A	Information source [2] available (Genset) used instead of voltage/frequency measurement (inhibited when S2A is selected)
Man	Information transfer system in manual mode. All automatic commands (+ test on load) are inhibited as soon as the input is activated
CTS	Remote transfer control. Possible to initiate transfer from priority source to backup source before DTT ends. If DTT is set to its maximum value (60s), the transfer is initiated as soon as the input is activated (1s front)
tol	Remote test on load. Started from input activation. Re-transfer is blocked until input de-activation
tfl	Remote test off load. Started from input activation (remote genset start / stop)
EJP	2 inputs are automatically affected to EJP <ul style="list-style-type: none"> <li>input 1 for EJP advice, to start generator</li> <li>input 2 to transfer on emergency source</li> </ul> Retransfer is activated when input 2 disappears

(1) This information is the only considered in case of option configuration. Programming variable Pri is then inhibited.

#### • EJP cycle



## Operation

### PRESENTATION

This mode allows in manual mode (not padlocked) to start a test off load. In automatic mode, it allows to start a test, on or off load.

#### Enter operation mode:

- **Step 1:** press and hold the "Test" push button for 5s
- **Step 2:** enter the operation code (CE) using navigation push buttons (code 4000)
- **Step 3:** press "validation" push button

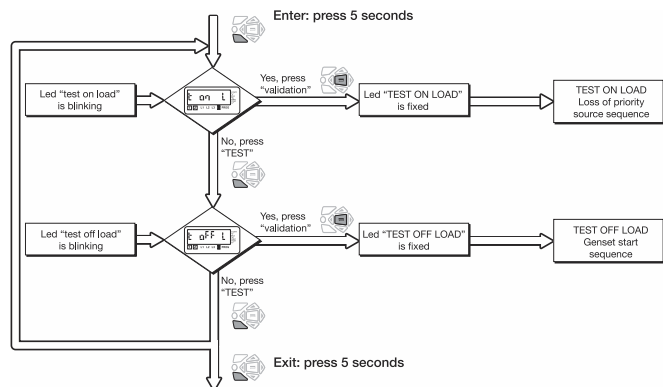
#### Exit operation mode:

- Press and hold the "Test" push button for 5s or automatic exit without action during around 2 min

#### Navigate in operation mode:

- Press "Test" push button to access different features
- Press "validation" push button to activate required function

### OPERATION MODE ARCHITECTURE



## Programming

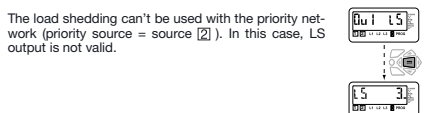
### > Inputs/Outputs Menu Outputs

Variable	Description
S1A	Source [1] available. Output activated as soon as source [1] is considered available (similar to front led source [1])
S2A	Source [2] available. Output activated as soon as source [2] is considered available (similar to front led source [2])
LS	Load shedding relay. LS timer corresponds to time available to disconnect the shed loads. The relay is activated before permutation on standby network according to LS timer. The relay is de-activated after retransfer on mains network and LS timer countdown

In case of LS function selection, it is required to configure associated LS timer.

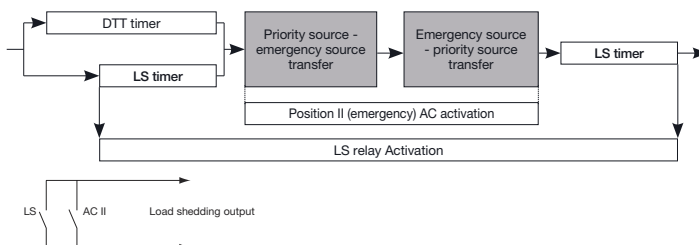
Output	Function	Setting range	Default Value
	S1A, S2A, LS, /	For LS: 0 to 60 s (± DTT)	For LS: 3 s

#### • Example : LS configuration (output relay Ou1, 3 seconds):



The load shedding can't be used with the priority network (priority source = source [2]). In this case, LS output is not valid.

#### • Load shedding cycle



The output is de-activated in case of loss of power. It may then be required to put in parallel with the load shedding output relay, position 2 auxiliary contact. This would avoid taking back the load in case of loss of emergency source in emergency position.

## Operation

### TEST OFF LOAD (ACCESSIBLE IN AUT / MODES)

It can be activated from:

- operation mode
- interface man/machine
- programming input (TFL) if selected.

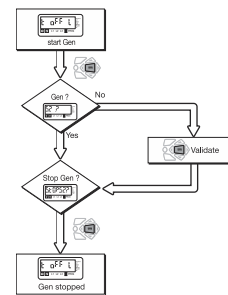
This test is made for applications where emergency source [2] is typically a genset (priority source must be source [1]). This test can be activated, in automatic mode, changeover switch in position [1], source [1] available.

#### > Description

- This mode will start and stop remotely genset operation without load transfer
- Genset is started and stopped
- The test is not possible during an automatic sequence

#### > Keypad activation

After operation mode access, press mode push button to make the test off load led blinking and validate to start the sequence.



### TEST ON LOAD (ACCESSIBLE IN AUT MODE)

It is activated from:

- operation mode
- interface man/machine
- programming input (TOL) if selected.

Automatic cycle keeps priority.

#### > Description

This test simulates a loss of priority source situation. The sequence generates load transfer from priority source to ceaterbackupsourcstartarupoperation (in case of genset). The return sequence always keeps manual re transfer feature activated (from priority source availability).

- All timers are counted down.

#### > Keypad activation

After operation mode access, press mode push button to make test on load led blinking and validate to start a cycle. The test is only possible in automatic mode, the changeover switch in priority source position, priority source being available.

#### > Keypad or remote operation

Manual retransfer to validate on keypad. In retransfer sequence from emergency source to priority source, the MRT count down is set to 10 seconds (maximum), unless a lower value has been programmed.

#### > Remote activation via specific input

It is also possible to start a test on load remotely with the programming input TOL if selected. The cycle is started from contacts closure. The re-transfer is initiated from contacts opening.

The re-transfer from emergency source to priority source is blocked and only authorized after manual retransfer validation

Start gen relay is closed if source [2] has priority.

## Visualisation

### PRESENTATION

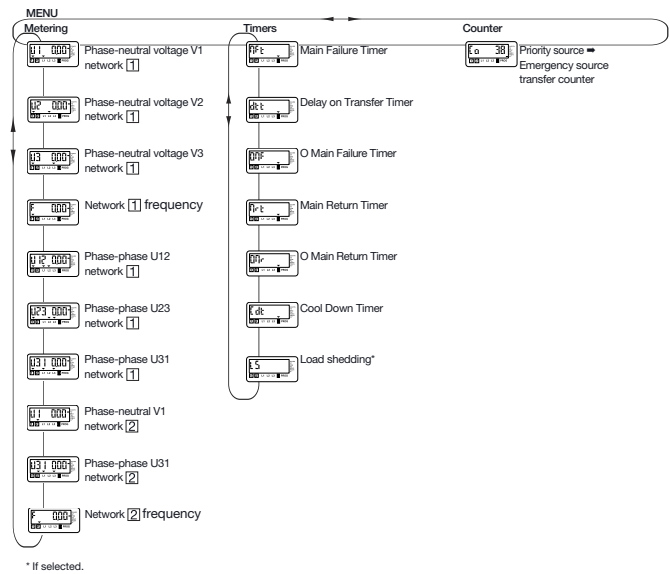
- This mode allows parameters to be displayed independently from mode  $\Delta$  /AUT switch position (if programmed on input)
- No code required to access parameters visualisation
- Without any action during 5 seconds on the keypad, the LCD displays voltage available on active network. In case of changeover switch on 0 position, priority network voltage is displayed.

### Navigation in visualisation mode:

- Press "up" and "bottom" push buttons to access required parameter
- Press "left" and "right" push buttons to navigate in the different menus

## Visualisation

### VISUALISATION ARCHITECTURE MODE



All values indicated might not be available according to programmed network. Refer to annexes.

## Automatic sequences

### MANUAL MODE / AUTOMATIC MODE

#### > Manual mode - Automatic mode permutation / power supply reappearance

- As soon as man input disappears (if selected), the automatic mode is active
- Voltages and frequencies are verified to define new stable position of the changeover switch

- The same table can be taken into account after complete power supply loss (the product must be completely discharged to reset = 3 minutes.)

#### > New stable position of the changeover switch

Refer to timer menus for MFT, MRT or DTT timers definition.

Changeover switch initial position	Sources availability	New position
Priority source	Priority source available, emergency source available or unavailable	Priority source
Priority source	Priority source unavailable for MFT time period, emergency source available or unavailable	Emergency source. If emergency source unavailable start emergency source first and wait for DTT timer period before transfer
Emergency source	Emergency source available, priority source unavailable	Emergency source
Emergency source	Emergency source available, priority source available for MRT time period	Priority source
Emergency source	Emergency source not available, priority source available	Priority source
Position 0	Priority source available, emergency source unavailable	available source to count down MRT before transfer to priority source
Position 0	Priority source available, emergency source unavailable	Priority source
Position 0	Priority source unavailable, emergency source available	Emergency source
Position 0	Priority source unavailable, emergency source unavailable	o action (because no supply). When supply becomes available change to priority source or emergency source

The switch transfers to new stable position as soon as Automatic mode is active.

### LOSS OF PRIORITY SOURCE AUTOMATIC SEQUENCE

This sequence is started as soon as the switch is in automatic mode and in priority position (position I - source [1]):

- source [1] is available
- transfer switch is in position I
- source [2] is available or unavailable

#### > Available source

Source being within programmed voltage and frequency settings, phases rotation being correct.

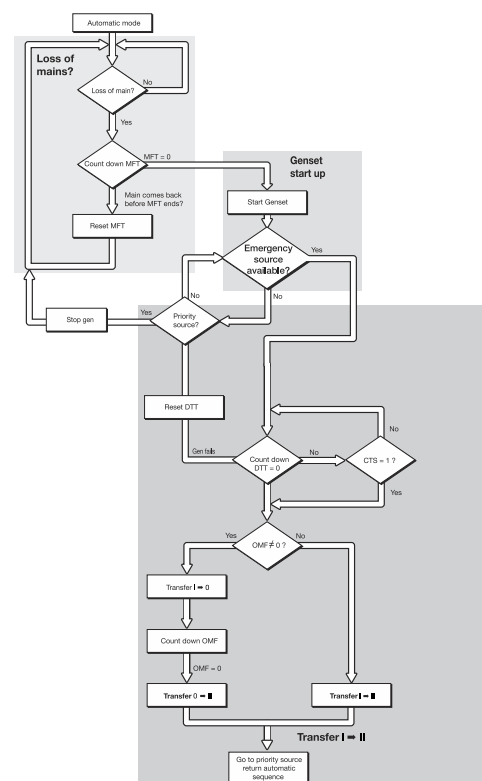
#### > Specific feature: remote transfer control

It is possible to transfer from main source to emergency source before DTT finishes up and to allow transfer with CTS option if selected on an input. DTT is automatically 2 set up to its maximum value as soon as CTS is selected.

## Automatic sequences

### > Sequence description

Example:  
position I = priority source ([1])  
position II = emergency source types Genset ([2])



## Automatic sequences

### RETURN TO PRIORITY SOURCE

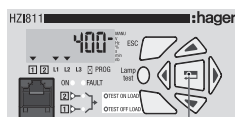
This sequence is activated as soon as the changeover switch is in automatic mode and in emergency position (position II) :

- the priority source [1] is not available

- the changeover switch is in emergency position (ex: genset)
- the emergency source is [2] available.

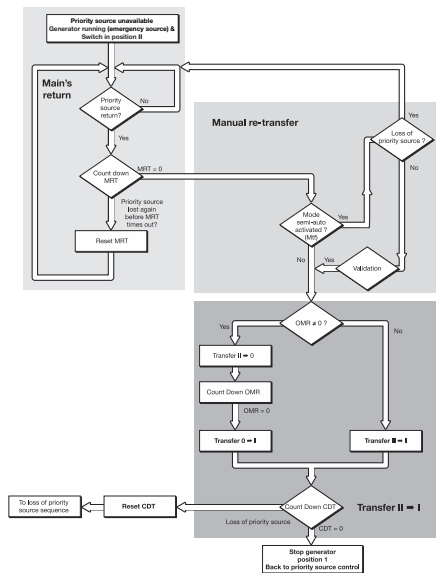
### > Specific feature: manual re-transfer

- When priority source comes back, it can be required not to automatically retransfer and wait for a more adequate moment.
- It is possible, validating manual retransfer feature (referto programming), to block the re-transfer. It is initiated from:
  - Validation push button locally or on remote interface
  - Via a programming input if MTF option is selected.



Manual retransfer = validation press OR optional input activation, Mtf feature

### > Sequence description



Problem	Action to be performed	Expected results
1 Product is OFF (display and LEDs are off).	Check that the connections are as indicated in the technical documentation provided with the product. Specific case: Single-phase application: - Connect the incoming supply cables to terminals 104 (Neutral) and 106 (Phase). - Bridge terminals 103 and 104. - Configure the network type to 1BL in the SETUP menu.  Directly check that voltage is present across the terminals with a voltmeter: - Voltage presence on Priority source => terminals 104-106 (U>100Vac) - Voltage presence on Emergency source => terminals 203-205 (U>100Vac)	Controller is on: "ON" LED is lit. If the product is still OFF it should be returned to
2 Product is faulty (fault is active) FT1, FT2, FT3, FT4	<ul style="list-style-type: none"> <li>Disconnect power supply to try to reset the fault</li> <li>In case of programming inputs FT1 or FT2, verify if external fault is not active (automatic reset).</li> <li>In case of programming inputs FT3 or FT4, verify if external fault is not active. The fault must be reset or keypad (validation push button)</li> </ul>	Default out
3 "SOURCE 1 availability" LED is off.	Press the "Lamp test" button.  Message "PROT1" is shown => reverse terminals 104 and 105.  Check the following parameters in the SETUP menu (programming mode): - network type => NETWORK : 4NBL, 2NBL, 2BL, 1BL, 3NBL..... - nominal voltage => Un : voltage across the terminals should be verified with a multimeter. - frequency => Fn : 50 or 60Hz  Check the threshold and hysteresis of the nominal voltage and frequency in the VOLT and FREQUENCY menus and adjust if necessary.	The display and all LEDs are on.  "SOURCE 1 availability" LED is on.
4 "SOURCE 2 availability" LED is off.	Press the "Lamp Test" button  Note: An unloaded generator can produce a voltage and frequency > than its nominal values: - Check threshold and hysteresis settings for the nominal voltage (VOLT menu). - Check threshold and hysteresis settings for the nominal frequency (FREQUENCY menu).  Check parameter Un in the SETUP menu (programming mode). This setting should correspond to the value measured across terminals 203 & 205 with a multimeter.	The display and all LEDs are on.  "SOURCE 2 availability" LED is on.
5 Retransfer is not achieved after the priority source has been restored.	Check the status of the "SOURCE 1 availability" LED. If this LED is not on, refer to the appropriate section above ("SOURCE 1 availability" LED is off). Item 3  Check that the product is in automatic mode: - Auto mode on controller must not be inhibited. Check that a programmable input, if configured, has not been activated (verify that the MANU indicator is not displayed). - When utilising with change over switch verify the handle has been removed and that the selector is in the automatic position.  Check status of source 1 stability timer (Mrt). Priority source is not considered available until this timer has finished counting down.  Check to see whether "MTF" (manual retransfer) has been activated in the SETUP menu (YES=enabled).	"SOURCE 1 availability" LED is on.  Automatic mode is selected.  Retransfer is achieved after Mrt delay.  "MTF" = NO (manual retransfer disabled). If "MTF" = YES, Confirm retransfer. Automatic transfer is achieved.

Problem	Action to be performed	Expected results
6 Return to priority source has been achieved but source 2 (Generator) is still running.	Check status of genset cool down timer (cdt).  Check the status of the Gen-start contact (terminals 13-14): - If in the SETUP menu, GEN=NO (Normally Open) : Contact 13-14 Closed=Start GENSET Contact 13-14 Open=Stop GENSET - If in the SETUP menu, GEN=NC (Normally Closed): Contact 13-14 Closed=Stop GENSET Contact 13-14 Open=Start GENSET	The cool down timer (2CT) will begin when transfer to position 1 (priority source) has been achieved. (2CT time delay duration can be between 0 and 60s).  The Generator stops running and "SOURCE 2 availability" LED goes OFF.
7 ON LOAD and OFF LOAD tests cannot be started using the keypad.	Verify that the operating mode password (factory code 4000) has been entered correctly to enable access to the test functions.  Check on the display that the selectable MAN input has not been activated (IN/OUT menu).	The "TEST ON LOAD" or "TEST OFF LOAD" LED is lit, in accordance with the selected mode.  The MANUAL indicator is no longer displayed.
8 Product remains OFF after loss of the priority source.	Check that the configurable MAN input has not been activated (verify that the MANU indicator is not displayed). Check there is no external fault, Ft1 or Ft2, activated through a configured input => "Fault" LED is on. With a multimeter, verify that voltage (>100VAC) is present across terminals 203 & 205 (emergency source connection). Check the status of the Gen-start contact (terminals 13-14): - If in the SETUP menu, GEN=NO (Normally Open): Contact 13-14 Closed=Start GENSET Contact 13-14 Open=Stop GENSET - If in the SETUP menu, GEN=NC (Normally Closed): Contact 13-14 Closed=Stop GENSET Contact 13-14 Open=Start GENSET	The product is on ("ON" LED is lit) and "SOURCE 2 availability" LED is lit.

Problem	Action to be performed	Expected results
9 Transfer is not achieved after loss of priority source.	Verify that the controller and the transfer device have an available power supply: controller: Terminals 203-205 => >100 VAC (source 2). change over switch: Terminals 101-102 = 230VAC  Check that the product is in automatic mode: - Auto mode on the product must not be inhibited. Check that a programmable input, if configured, has not been activated (verify that the MANU indicator is not displayed). - When utilising with a controller verify the handle has been removed and that the selector is in the automatic position.)  Check the status of the "SOURCE 2 availability" LED. If this LED is not on, refer to the appropriate section above ("SOURCE 2 availability" LED is off) Item 4  Check the below settings in the TIMER menu: - for time delay MFT (Main Failure timer) => countdown when the product is OFF - for time delay dtt (delay transfer timer) => source 2 must be available for this duration before transfer is achieved.	Is on: "ON" LED is lit.  Automatic mode is selected.  "SOURCE 2 availability" LED is on.  The "AUT" LED is on. Message 2AT xxx is displayed before transfer (xxx accounts for the time delay duration, which can be between 0 and 60s)
10 Motorised transfer of switch does not correspond to control commands I, O, II	Check cabling for control commands. Verify the selected control logic mode LoG in the SETUP menu (pulse, contactor or circuit breaker). Check RN1 and RN2 settings in the SETUP menu.	The breaker will pause in position 0, during transfer, for the configured duration.  Transfer corresponds to the control commands.
11 Message "FLT POS" (position fault) is displayed.	In the SETUP menu, check that the number of ACs selected corresponds to the number of auxiliary contacts connected. If it does not, modify this setting accordingly. If the problem still exists, modify the AC setting to 0. If, after pressing the ENTER key (fault reset), the message FLT POS is no longer displayed, the problem emanates from the auxiliary contact circuit (auxiliary contact of transfer device or connection error). Check the mechanical position of the transfer switch/breakers.	Error message FLT POS is no longer displayed
12 Error message Err XXXX is displayed.	Failure cannot be solved - Product internal failure.	To be returned to the factory Hager for technical analysis.

### Description

- Automatic performs the changeover operation to back up Genset supply on Main supply failure.
- Switches from back up Genset supply to Mains when the main supply resumes.
- Performs the current limiting function with 5 Switch OFF-ON cycles in case the Load current exceeds back up supply rating.

### Features

- Indicates the LED for Mains ON, Genset ON and Genset Overload.
- Different LED colors for clear differentiation between functions.
- Blinking LED for overload and permanent LED for overload Trip.
- Modular design
- Convenient and simple wiring terminal design.
- Auto reset if Main supply resumes on genset trip.
- RoHS compliant, CE Marking

### Technical Data

- Standard: IEC 60947 - 3, IEC 60947 - 6
- Type: SPN Modular
- Voltage: 150VAC to 300VAC
- Mains Rating: 30A
- Genset Rating: 1.5 to 30A
- Utilization category: AC21A (IEC 60947-3), AC 31B (IEC 60947-6)
- Short Circuit Withstand: 3kA
- Electrical Endurance: 6000 Operations
- Terminal Size: Flexible: 10sqmm, Rigid: 16sqmm
- Terminals: IP 2X finger touch proof



EKS301B

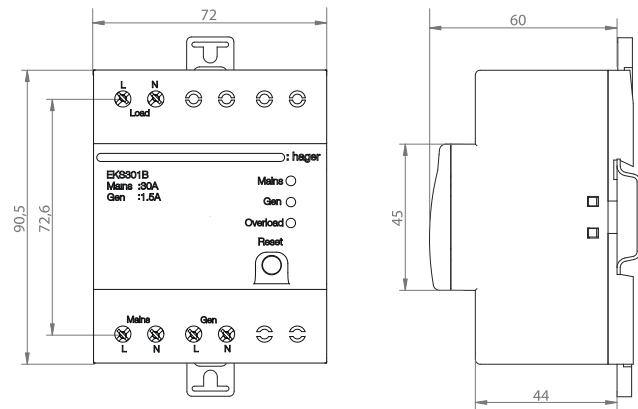
Description	Characteristics	Modules	Cat Ref.
<b>ACCL SPN Version</b>	Mains 30A, Genset 1.5A	4	<b>EKS301B</b>
	Mains 30A, Genset 2.5A	4	<b>EKS302B</b>
	Mains 30A, Genset 3A	4	<b>EKS303B</b>
	Mains 30A, Genset 4A	4	<b>EKS304B</b>
	Mains 30A, Genset 5A	4	<b>EKS305B</b>
	Mains 30A, Genset 6A	4	<b>EKS306B</b>
	Mains 30A, Genset 9A	4	<b>EKS309B</b>
	Mains 30A, Genset 12A	4	<b>EKS312B</b>
	Mains 30A, Genset 15A	4	<b>EKS315B</b>
	Mains 30A, Genset 20A	4	<b>EKS320B</b>
	Mains 30A, Genset 30A*	4	<b>EKS330B</b>

\* without Current Limiter

## Technical characteristics

Mains Rating	Genset Rating	Cat. Reference
30 A	1.5 A	EKS301B
30 A	2.5 A	EKS302B
30 A	3 A	EKS303B
30 A	4 A	EKS304B
30 A	5 A	EKS305B
30 A	6 A	EKS306B
30 A	9 A	EKS309B
30 A	12 A	EKS312B
30 A	15 A	EKS315B
30 A	20 A	EKS320B
30 A	30 A	EKS330B

## Dimensions



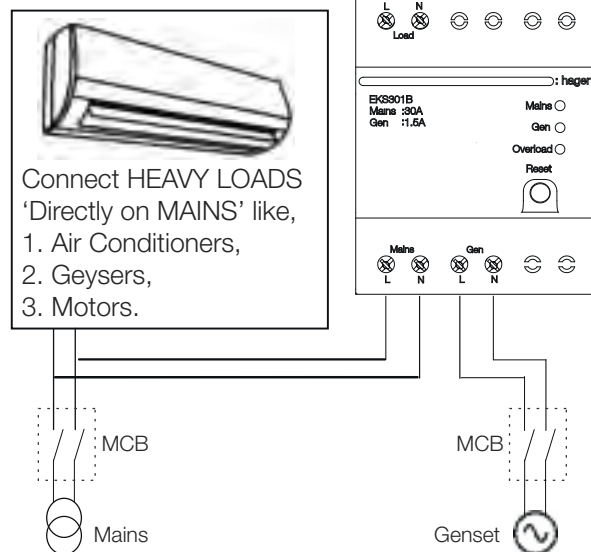
## Recommended MCB Ratings

ACCL Ratings		MCB Ratings	
Mains	Genset	On Mains Side	On Genset Side
30 A	1.5 A	32 A	2 A
30 A	2.5 A	32 A	3 A
30 A	3 A	32 A	3 A
30 A	4 A	32 A	4 A
30 A	5 A	32 A	6 A
30 A	6 A	32 A	6 A
30 A	9 A	32 A	10 A
30 A	12 A	32 A	16 A
30 A	15 A	32 A	16 A
30 A	20 A	32 A	20 A
30 A	30 A	32 A	30A

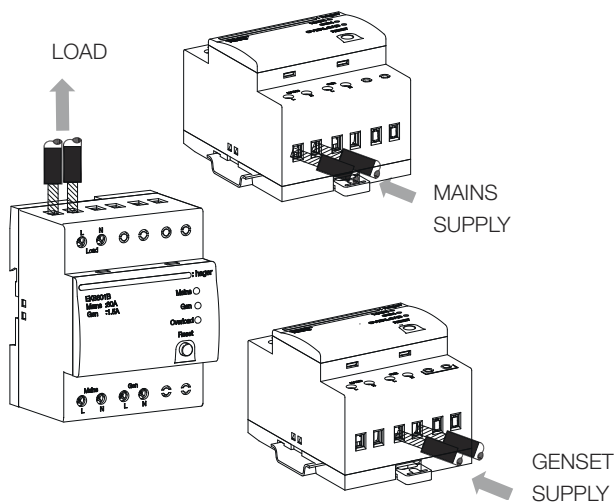
## Recommended Load Connections

Connect **NECESSARY LOADS** like,

1. Tube Lights / CFL's,
2. Television,
3. Mixer, Juicer etc.



## Installation



### Description

- ACCL performs the changeover operation between electricity board and generator supply based on electricity board power availability. ACCL is also equipped with current limiting function which limits the load on generator power to preset value.
- ACCL shall trip if device is overloaded than rated value after monitoring for 5 switch OFF-ON cycles.

### Features

- Generator auto start stop & Remote Reset for current limiting.
- Single Phase protection as selectable option.
- Auto reset on Mains return during Generator overload trip.
- LED status Indication through blinking & permanent ON.
- Modular front fascia design.
- RoHS compliant environment friendly product.

### Technical Data

- IEC Standard: 60947-6-1
- Type : TPN / TPN & TPN / SPN
- Supply voltage: 3Phase, 415VAC

- Line Voltage: 150VAC to 300VAC
- Main Rating 40A, 63A
- Genset rating : 6 to 63A
- Utilization category: AC31A
- Conditional short circuit: 10kA
- Electrical Endurance: 10,000
- Terminal Size: 10 sq. mm. for 40A, 16 sq. mm. for 63A, 2.5 sq. mm. for GSS & RR
- Terminals: IP2X finger touch proof
- Time Delay: Mains to
  - Generator: 10-12 secs
  - Genset to Mains: 4 secs
  - Mains to Generator
    - (if Gen is ON): 4 secs
- Overload cycles: 5 nos
- Overload switch OFF time: 8 secs
- Overload switch ON time: 5 secs

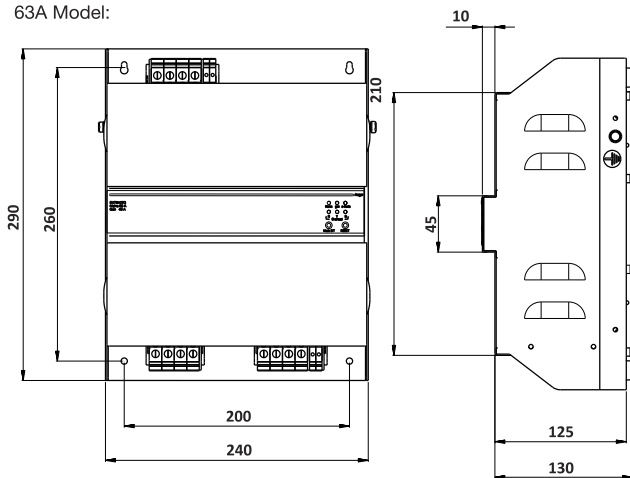
Description	Characteristics	Cat.Ref.
 <p>EKT406SG</p>	<b>TPN / SPN</b>	Mains 40A, Genset 6A EKT406SG
		Mains 40A, Genset 10A EKT410SG
		Mains 40A, Genset 16A EKT416SG
		Mains 40A, Genset 20A EKT420SG
		Mains 40A, Genset 25A EKT425SG
		Mains 40A, Genset 32A EKT432SG
		Mains 63A, Genset 10A EKT610SG
		Mains 63A, Genset 16A EKT616SG
		Mains 63A, Genset 20A EKT620SG
		Mains 63A, Genset 25A EKT625SG
		Mains 63A, Genset 32A EKT632SG
		Mains 63A, Genset 40A EKT640SG
	<b>TPN / TPN</b>	Mains 40A, Genset 10A EKT410TG
Mains 40A, Genset 16A EKT416TG		
Mains 40A, Genset 20A EKT420TG		
Mains 40A, Genset 25A EKT425TG		
Mains 40A, Genset 32A EKT432TG		
Mains 63A, Genset 10A EKT610TG		
Mains 63A, Genset 16A EKT616TG		
Mains 63A, Genset 20A EKT620TG		
Mains 63A, Genset 25A EKT625TG		
Mains 63A, Genset 32A EKT632TG		
Mains 63A, Genset 40A EKT640TG		
<b>TPN / TPN</b>	(without current limiting) Mains 40A, Genset 40A EKT440TG	
	Mains 63A, Genset 63A EKT663TG	

## Technical characteristics

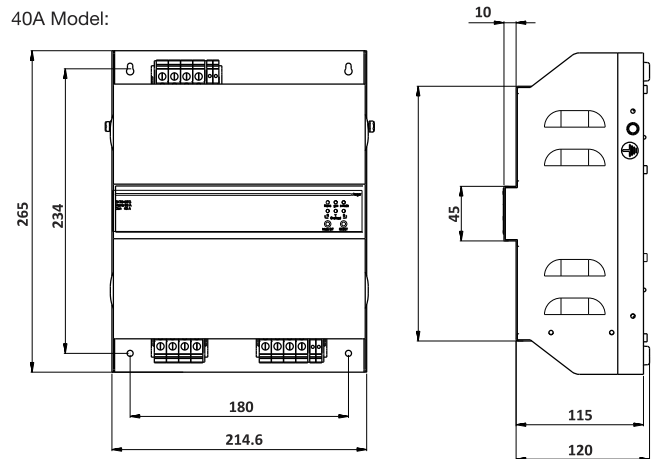
Supply voltage	415VAC (P-P),230VAC(P-N)
Supply Frequency	Hz(±3Hz)
Power Consumption	Mains:12VA,@240VAC Generator:12VA,@240V
Number of poles	3P+N
Current monitoring	Available on Generator
Mains current rating	40A/63A
Genset current rating	6A to 63A
Utilization Category	AC1 Resistive & AC3 Motor duty as per IEC 60947-4-1
Timing accuracy	±5%
Trip accuracy	±5%
Duty	100%
Mains to Generator	4 sec (If Generator is already ON)
Mains to Generator	10-12 sec (For Generator turn ON)
Generator to Mains	4 sec
Overload warning	8 sec OFF & 5 sec ON
Warning cycle	5 ON-OFF
Over voltage cut off	315VAC (+/-20V)
OV recovery	270VAC (+/-20V)
OV trip time	500ms to 4 sec
OV recovery time	10 to 30 sec
Electrical life	10,000

## Dimensions

63A Model:



40A Model:



## Contact Rating

Ratings	AC-1 (Resistive Load) @ 400VAC & 40 °C	AC-3 (Motor duty) @ 400VAC & 40 °C
02A	02A	02A
06A	06A	06A
10A	10A	10A
16A	16A	12A
20A	20A	12A
25A	25A	12A
30A	30A	12A
40A	40A	15.5A
63A	60A	26A

## Contact Rating

Ratings	AC-1 (Resistive Load) @ 400VAC & 40 °C	AC-3 (Motor duty) @ 400VAC & 40 °C
02A	02A	02A
06A	06A	06A
10A	10A	10A
16A	16A	12A
20A	20A	12A
25A	25A	12A
30A	30A	12A
40A	40A	15.5A
63A	60A	26A



**Description**

- For use as isolators in electrical circuits
- Provides isolation to downstream circuits

**Technical data**

- Conforms to IS/IEC 60947 - 3
- Ratings - 25A - 125A
- No. of poles - 2P, 3P & 4P
- Utilization category - AC 22
- Suitable for isolation as per IEC 60947

**Features & benefits**

- Wide range
- Finger proof (IP2X) terminal
- CE & RoHS compliant, "Green" product
- Front product labeling




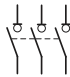
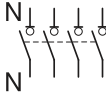
**Connection**

In : 25, 32A  
16sq mm rigid conductor  
10sq mm flexible conductor

In : 40, 63A  
35sq mm rigid conductor  
25sq mm flexible conductor

In : 100A  
35sq mm rigid conductor 35sq mm flexible conductor

In : 125A  
50sq mm rigid conductor  
35sq mm flexible conductor

	Description	Rating In	Modules	Cat. Ref.
 SBN225N	<b>Double pole</b> 	25A	1	<b>SBN225N</b>
		32A	1	<b>SBN232N</b>
		40A	2	<b>SBN240N</b>
		63A	2	<b>SBN263N</b>
		100A	2	<b>SBN290N</b>
		125A	2	<b>SBN299N</b>
		 SBN440N	<b>Triple pole</b> 	32A
40A	3			<b>SBN340N</b>
63A	3			<b>SBN363N</b>
100A	3			<b>SBN390N</b>
125A	4			<b>SBN399N</b>
	<b>Four pole</b> 	32A	2	<b>SBN432N</b>
		40A	4	<b>SBN440N</b>
		63A	4	<b>SBN463N</b>
		100A	4	<b>SBN490N</b>
		125A	4	<b>SBN499N</b>


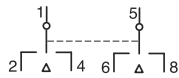
**2 way centre-off changeover switches**

**Description**

- To switch from one source to another source of supply
- Compact DIN channel mounted device

**Technical data**

- Conforms to IEC 60947-1
- Ratings - 25A & 40A
- No. of poles - 2P & 4P
- 3 positions (I - O - II) with centre off
- Utilization category - AC 22A
- Mounting - on 35mm DIN channel

	Description	Rating In	Modules	Cat. Ref.	
 SFT240N	<b>Double pole</b> 	25A	2	<b>SFT225N</b>	
		40A	2	<b>SFT240N</b>	
		40A	4	<b>SFT440N</b>	
		<b>Four Pole</b>	40A	4	<b>SF440</b>
			63A	8	<b>SF463</b>

# Miniature Circuit Breakers

Comprehensive range offering reliable solution for protection of installations against overcurrent.



## Advantages for you:

---

- Positive Contact Isolation ensuring complete protection to user
- Ergonomically designed toggle for comfort switching
- Insulated safety shutter for finger touch proof terminal
- Laser marking to ensure permanent information
- Front product labeling for displaying of load information
- Energy Limiting Class 3 to ensure low let through energy to limit thermal & mechanical stress on cables
- Direct mounting of wide range of accessories like OV, UV, ST, AX, AL, OV + UV release

## Technical data:

---

- Conforms to IS / IEC 60898-1:2002, IEC 60898 - 1995
- Ratings: 0.5 to 125 A
- No. of poles: 1P, 2P, 3P & 4P
- Tripping characteristics: B, C & D curves
- Breaking capacity: 10kA (as per IS/IEC 60898)
- ISI Marking

# Expert tips



1

Front product labeling for displaying of load information



2

Ergonomically designed toggle for comfort switching



3

Laser marking to ensure permanent information



4

Insulated safety shutter for finger touch proof terminal



5

Direct mounting of wide range of accessories like OV, UV, ST, AX, AL, OV + UV release



6

Energy Limiting Class 3 to ensure low let through energy to limit thermal & mechanical stress on cables

# Miniature circuit breakers 10kA

## type NBN, NCN, NDN

### Description

- Protects circuits against over-load & short circuit faults
- Provides isolation to downstream circuits

### Technical data





- Conforms to IEC 60898-1:2002, IS/IEC 60898-1:2002
- ISI marking
- CE marking
- Ratings - 0.5 to 63 A
- No. of poles - 1P, 2P, 3P & 4P
- Tripping curves - B, C & D
- Breaking capacity - 10kA (as per IEC 60898-1)
- Suitable for isolation as per IEC 60947

### Features & benefits

- Positive Contact Isolation ensuring complete protection to user
- Ergonomized toggle for comfort switching
- Insulated safety shutter for finger touch proof terminal
- Laser marking to ensure permanent information
- Front product labeling for displaying of load information
- Energy Limiting Class 3 to ensure low let through energy to limit thermal & mechanical stress on cables
- Direct mounting of wide range of accessories like OV, UV, ST, AX, AL, OV + UV release

### Connection

- 25sq mm rigid cables
- 16sq mm flexible cables

	Description	Modules	In (Amp)	B Curve	C Curve	D Curve
 NCN110N	1P	1	0.5		NCN100N	NDN100N
		1	1		NCN101N	NDN101N
		1	2		NCN102N	NDN102N
		1	3		NCN103N	NDN103N
		1	4		NCN104N	NDN104N
		1	6	NBN106N	NCN106N	NDN106N
		1	10	NBN110N	NCN110N	NDN110N
		1	16	NBN116N	NCN116N	NDN116N
		1	20	NBN120N	NCN120N	NDN120N
		1	25	NBN125N	NCN125N	NDN125N
		1	32	NBN132N	NCN132N	NDN132N
		1	40	NBN140N	NCN140N	NDN140N
		1	50	NBN150N	NCN150N	NDN150N
1	63	NBN163N	NCN163N	NDN163N		
 NCN220N	2P	2	0.5		NCN200N	NDN200N
		2	1		NCN201N	NDN201N
		2	2		NCN202N	NDN202N
		2	3		NCN203N	NDN203N
		2	4		NCN204N	NDN204N
		2	6	NBN206N	NCN206N	NDN206N
		2	10	NBN210N	NCN210N	NDN210N
		2	16	NBN216N	NCN216N	NDN216N
		2	20	NBN220N	NCN220N	NDN220N
		2	25	NBN225N	NCN225N	NDN225N
		2	32	NBN232N	NCN232N	NDN232N
		2	40	NBN240N	NCN240N	NDN240N
		2	50	NBN250N	NCN250N	NDN250N
2	63	NBN263N	NCN263N	NDN263N		
 NCN316N	3P	3	0.5		NCN300N	NDN300N
		3	1		NCN301N	NDN301N
		3	2		NCN302N	NDN302N
		3	3		NCN303N	NDN303N
		3	4		NCN304N	NDN304N
		3	6	NBN306N	NCN306N	NDN306N
		3	10	NBN310N	NCN310N	NDN310N
		3	16	NBN316N	NCN316N	NDN316N
		3	20	NBN320N	NCN320N	NDN320N
		3	25	NBN325N	NCN325N	NDN325N
		3	32	NBN332N	NCN332N	NDN332N
		3	40	NBN340N	NCN340N	NDN340N
		3	50	NBN350N	NCN350N	NDN350N
3	63	NBN363N	NCN363N	NDN363N		
 NCN432N	4P	4	0.5		NCN400N	NDN400N
		4	1		NCN401N	NDN401N
		4	2		NCN402N	NDN402N
		4	3		NCN403N	NDN403N
		4	4		NCN404N	NDN404N
		4	6	NBN406N	NCN406N	NDN406N
		4	10	NBN410N	NCN410N	NDN410N
		4	16	NBN416N	NCN416N	NDN416N
		4	20	NBN420N	NCN420N	NDN420N
		4	25	NBN425N	NCN425N	NDN425N
		4	32	NBN432N	NCN432N	NDN432N
		4	40	NBN440N	NCN440N	NDN440N
		4	50	NBN450N	NCN450N	NDN450N
4	63	NBN463N	NCN463N	NDN463N		

**Description**

- Protects circuits against over-load & short circuit faults
- Provides isolation to downstream circuits

**Technical data**

- Conforms to IEC 60947
- CE marking
- Ratings – 80A, 100A & 125A
- No. of poles - 1P, 2P, 3P & 4P
- Tripping curve - C
- Breaking capacity - 10kA (as per IEC 60947)
- Suitable for isolation as per IEC 60947






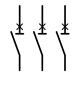

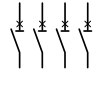
**Features & benefits:**

- MCBs handle can be locked in "off" position
- Large terminal capacity - upto 70 sq mm
- Steel reinforcement plate to improve terminal strength
- Serrations on jaws to provide better grip on cables
- Line-load reversible
- RoHS compliant, "Green" product
- Wide range of accessories are available

**Connection capacity**

- 35 sq mm flexible wire (50 sq mm possible with some cable end-caps)
- 70 sq mm rigid wire

IP2X terminals

	Description	In (Amp)	Modules	Cat. Ref.
 <p>HLF199S</p>	1P	80	1.5	HLF180S
		100	1.5	HLF190S
		125	1.5	HLF199S
 <p>HLF299S</p>	2P	80	3	HLF280S
		100	3	HLF290S
		125	3	HLF299S
 <p>HLF399S</p>	3P	80	4.5	HLF380S
		100	4.5	HLF390S
		125	4.5	HLF399S
 <p>HLF499S</p>	4P	80	6	HLF480S
		100	6	HLF490S
		125	6	HLF499S

# Miniature circuit breakers 6kA SP&N type ML

## Description

- Protect circuits against over-load & short circuit faults
- Provides isolation to downstream circuits

## Technical data

- Conforms to IEC 60898-1
- CE marking
- Ratings – 6A to 40 A
- No. of poles - 1 Pole + switched neutral in one module
- Tripping curve - C

## Features & benefits

- Compact design, SPN MCB in one mod (17.5mm) only
- Switched neutral provides complete isolation to downstream circuits
- Line-load reversible
- RoHS compliant, “Green” product
- Wide range of accessories are available

## Connection

- 16sq mm rigid cables
- 10sq mm flexible cables
- Prong type busbar.

IP2X terminals



ML516J

Description	Modules	In (Amp)	Cat. Ref.
SP & N MCB	1	6	ML506J
	1	10	ML510J
	1	16	ML516J
	1	20	ML520J
	1	25	ML525J
	1	32	ML532J
	1	40	ML540J

Characteristics	ML	NBN	NCN	NDN	HLF
Poles	SP+N	SP DP TP FP	SP DP TP FP	SP DP TP FP	SP DP TP FP
Rated operational voltage $U_e(V)$	230	SP 240/415 DP, TP, FP 415	SP 240/415 DP, TP, FP 415	SP 240/415 DP, TP, FP 415	SP 240/415 DP, TP, FP 415
Nominal Current	6-40A	6-63A	0.5-63A	0.5-63A	80-100-125A
Breaking capacity to IEC 60 898	6kA	10kA	10kA	10kA	10kA
Breaking capacity to IEC 60 947-2	-	-	-	-	10kA
Rated insulation voltage $U_i(V)$	500V	500V	500V	500V	500V
Rated impulse voltage $U_{imp} (kV)$	4000V	4000V	4000V	4000V	6000V
Electrical endurance					
0.5 to 32A	10000	20000	20000	20000	
40 to 63A		10000	10000	10000	
80 to 125A					4000

### Power loss

The power loss of MCB's is closely controlled by the standards and is calculated on the basis of the voltage drop across the main terminals measured at rated current. The power loss of Hager circuit breakers is very much lower than that required by the Standard, so in consequences run cooler and are less affected when mounted together.

The table below gives the watts loss per pole at rated current

MCB rated current (A)	0.5	1	2	3	4	6	10	16	20	25	32	40	50	63	80	100	125
Watts loss per pole (W)	1.3	1.5	1.7	2.1	2.4	2.7	1.8	2.6	2.8	3.3	3.9	4.3	4.8	5.2	5	5.5	8

### For use with DC

Because of their quick make and break design and excellent arc quenching capabilities Hager circuit breakers are suitable for DC applications.

The following parameters must be considered.

- system voltage:  
Determined by the number of poles connected in series
- short-circuit current:
- tripping characteristics:
  - the thermal trip remains unchanged
  - the magnetic trip will become less sensitive requiring derating by  $\sqrt{2}$  the ac value.

No. of poles	1 pole		2 poles in series	
	Max voltage	Breaking capacity L/R=15ms	Max voltage	Breaking capacity L/R=15ms
NBN, NCN	60V	10kA	125V	10kA
NDN	60V	15kA	125V	15kA
HLF	60V	15kA	125V	15kA

NBN, NCN, NDN						
Characteristic curve	B		C		D	
Magnetic trip	50Hz	dc	50Hz	dc	50Hz	dc
I <sub>rm1</sub>	3 I <sub>n</sub>	4.5 I <sub>n</sub>	5 I <sub>n</sub>	7.5 I <sub>n</sub>	10 I <sub>n</sub>	15 I <sub>n</sub>
I <sub>rm2</sub>	5 I <sub>n</sub>	7.5 I <sub>n</sub>	10 I <sub>n</sub>	15 I <sub>n</sub>	20 I <sub>n</sub>	30 I <sub>n</sub>

HLF (IEC 60-898)		
Characteristic curve	C	
Magnetic trip	50Hz	dc
I <sub>rm1</sub>	5 I <sub>n</sub>	7.1 I <sub>n</sub>
I <sub>rm2</sub>	10 I <sub>n</sub>	14.1 I <sub>n</sub>

Latest national & international standards covering Low Voltage Circuit Breakers provide the user with a better assurance of quality and performance by taking into account the actual operating conditions of the breaker. New definitions and symbols have been introduced which should be committed to memory. Some of those most frequently used are:

- $U_e$  : rated service voltage
- $U_i$  : rated insulation voltage ( $>U_{emax}$ )
- $U_{imp}$  : rated impulse withstand
- $I_{cm}$  : rated short circuit making capacity
- $I_{cn}$  : rated short circuit capacity
- $I_{cs}$  : rated service short circuit breaking capacity
- $I_{cu}$  : rated ultimate short circuit breaking capacity
- $I_{dn}$  : rated residual operating current (often called residual sensitivity)
- $I_n$  : rated current = maximum value of current used for the temperature rise test.
- Dt** : trip delay of residual current devices

In addition, IEC 60898 sets out to provide a greater degree of safety to the uninstructed users of circuit breakers. It is interesting to note that the description "miniature circuit breaker" or MCB is not used at all in the standard, but no doubt both manufacturers and users will continue to call circuit breakers complying with IEC 60898 miniature circuit breakers or MCBs for some time to come.

The scope of this standard is limited to ac air break circuit breakers for operation at 50Hz or 60Hz, having a rated current not exceeding 125A and a rated short-circuit capacity not exceeding 25kA.

A rated service short-circuit breaking capacity  $I_{cs}$  is also included which is equal to the rated short-circuit capacity  $I_{cn}$  for short-circuit capacity values up to and including 6kA, and 50% of  $I_{cn}$  above 6kA with a minimum value of 7.5kA. as the circuit-breakers covered by this standard are intended for household and similar use,  $I_{cs}$  is of academic interest only. The rated short-circuit capacity of a MCB ( $I_{cn}$ ) is the alternating component of the prospective current expressed by its r.m.s. value, which the MCB is designed to make, carry, for its opening time and to break under specified conditions.  $I_{cn}$  is shown on the MCB label in a rectangular box with the suffix 'A' and is the value which is used for application purposes.  $I_{cn}$  (of the MCB) should be equal to or greater than the prospective short-circuit current at the point of application.

You will see from the curves that the inverse time delay characteristic which provides overload protection is the same on all three. This is because the standards required the breaker to carry 1.13 times the rated current without tripping for at least one hour and when the test current is increased to 1.45 times the rated current, it must trip within one hour, and again from cold if the last current is increased to 2.55 times the rated current the breaker must trip between 1 and 120 seconds. The inverse time delay characteristic of all MCBs claiming compliance with IEC 60898 must operate within these limits.

The difference between the three types of characteristic curves designated 'B', 'C' and 'D' concerns only the magnetic instantaneous trip which provides short-circuit protection.

- \* For type 'B' the breaker must trip between the limits of 3 to 5 times rated current
- \* For type 'C' the breaker must trip between the limits of 5 to 10 times rated current, and
- \* For type 'D' the breaker must trip between the limits of 10 to 20 times rated current

Often manufacturers publish their MCB tripping characteristics showing the limits set by the standard and guarantee that any breakers that you purchase will operate within these limits. So great care should be taken when working with characteristics curves showing lower and higher limits - on no account should you take a mean point for application design purposes.

For cable protection applications you should take the maximum tripping time and some manufacturers publish single line characteristics curves which show the maximum tripping time. If the design problem is nuisance tripping then the minimum tripping time should be used and for desk top co-ordination studies, both lower and upper limits have to be taken into account.

## Energy limiting

Energy is measured in Joules. \*James Prescott Joule proved that thermal energy was produced when an electric current flowed through a resistance for a certain time, giving us the formula :-

$$\text{Joules} = I^2 \times R \times t \text{ or because we know that watts} = I^2 R$$

$$\text{Joules} = \text{watts} \times \text{seconds}$$

Therefore we can say that :

$$\text{One Joule} = \text{one watt second}$$

$$\text{or energy} = \text{watts} \times \text{seconds} = I^2 R t$$

If the resistance (R) remains constant or is very small compared with the current (I) as in the case of short-circuit current, then energy becomes proportional to  $I^2 t$ . Which is why the energy let-through of a protective device is expressed in ampere squared seconds and referred to as  $I^2 t$ .

$I^2 t$  (Joule Integral) is the integral of the square of the current over a given time interval ( $t_0, t_1$ )

The  $I^2 t$  characteristic of a circuit breaker is shown as a curve giving the maximum values of the prospective current as a function of time.

Manufacturers are required by the Standard to produce the  $I^2 t$  characteristic of their circuit breakers.

The energy limiting characteristics of modern MCBs greatly reduce the damage that might otherwise be caused by short-circuits. They protect the cable insulation and reduce the risk of fire and other damage. Knowledge of the energy limiting characteristic of a circuit breaker also helps the circuit designer calculate discrimination with other protective devices in the same circuit.

Because of the importance energy limiting characteristic the Standards for circuit breakers for household and similar installations suggests three energy limiting classes based on the permissible  $I^2 t$  (let-through) values for circuit breakers up to 32A; class 3 having the highest energy limiting performance.

All Hager MCBs are well within the limits of energy let-through set by IEC 60898 for energy limiting class 3.

The circuit breaker can have the line/load connected to either top or bottom terminals.



## Temperature Derating

MCBs are designed and calibrated to carry their rated current and to operate within their designated thermal time/current zone at 30°C. Testing is carried out with the breaker mounted singly in a vertical plane in a controlled environment. Therefore if the circuit breaker is required to operate in conditions which differ from the reference conditions, certain factors have to be applied to the standard data. For instance if the circuit breaker is required to operate in a higher ambient temperature other than 30°C it will require progressively less current to trip within the designated time/current zone,

## Temperature correction

In(A)	30°C	35°C	40°C	45°C	50°C	55°C	60°C
0.5	0.5	0.48	0.46	0.44	0.42	0.40	0.38
1	1	0.96	0.92	0.88	0.84	0.80	0.76
2	2	1.92	1.84	1.76	1.68	1.60	1.52
3	3	2.88	2.76	2.64	2.52	2.40	2.28
4	4	3.84	3.68	3.52	3.36	3.20	3.04
6	6	5.76	5.52	5.28	5.04	4.80	4.56
10	10	9.60	9.20	8.80	8.40	8.00	7.60
16	16	15.36	14.72	14.08	13.44	12.80	12.16
20	20	19.20	18.40	17.60	16.80	16.00	15.20
25	25	24.00	23.00	22.00	21.00	20.00	19.00
32	32	30.72	29.44	28.16	26.88	25.60	24.32
40	40	38.40	36.80	35.20	33.60	32.00	30.40
50	50	48.00	46.00	44.00	42.00	40.00	38.00
63	63	60.48	57.96	55.44	52.92	50.40	47.88
80	80	77.60	75.10	72.60	70.00	67.20	64.40
100	100	96.60	93.10	89.40	85.60	81.60	77.50
125	125	121.90	118.90	115.70	112.40	109.10	105.60

## Grouping factors

Consideration should also be given to the proximity heating effect of the breakers themselves when fully loaded and mounted together in groups. There is a certain amount of watts loss from each breaker depending on the trip rating which may well elevate the ambient air temperature of the breaker above the ambient air temperature of the enclosure.

Grouping factor (rated current reduce by factor K)

No. of Units	K	HLF	
n = 1		1	1
2n < 4	0.95		1
4n < 6	0.9		1
6n		0.85	1

## Effects of frequency change

thermal - unchanged

magnetic - value multiplied by coefficient K

F(Hz)	17Hz-60Hz	100Hz	200Hz	400Hz
K	1	1.1	1.2	1.5

## Example

Five circuit breakers are to be installed inside an enclosure in a switch-room which has an average ambient air temperature of 35°C. Each circuit breaker will be required to supply a continuous current of 20A.

From table, we would select a circuit breaker which has a rated current of 25A at 30°C and 23.5A at 35°C. This takes care of the switchroom ambient air temperature of 35°C, but we also have to take into account the grouping factor of live continuously loaded breakers mounted together in one enclosure. Table gives us a grouping factor K of 0.9. We then apply this grouping factor to the rated current at 35°C which gives us a circuit breaker rated current of 23.5 x 0.9 = 21.15A in the specified conditions

## Lighting circuits

Although the MCBs prime function is the protection of lighting circuits, they are often used as local control switches as well, conveniently switching on and off large groups of luminaries in shops and factories. The MCB is well able to perform this additional task safely and effectively. Hager MCBs have an electrical endurance of 20,000 on/off operations for MCBs up to and including 32A and 10,000 on/off operations for 40, 50 and 63A MCBs.

For the protection of lighting circuits the designer must select the circuit breaker with the lowest instantaneous trip current compatible with the inrush currents likely to develop in the circuit.

High Frequency (HF) ballasts are often singled out for their high inrush currents but they do not differ widely from the conventional 50Hz. The highest value is reached when the ballast is switched on at the moment the mains sine wave passes through zero. However, because the HF system is a "rapid start" system whereby all lamps start at the same time, the total inrush current of an HF system exceeds the usual values of a conventional 50Hz system. Therefore where multiple ballasts are used in lighting schemes, the peak current increases proportionally.

Mains circuit impedance will reduce the peak current but will not affect the pulse time.

The problem facing the installation designer in selecting the correct circuit breaker is that the surge characteristic of HF ballasts vary from manufacturer to manufacturer. Some may be as low as 12A with a pulse time of 3ms and some as high as 35A with a pulse time of 1 ms. Therefore it is important to obtain the expected inrush current of the equipment from the manufacturer in order to find out how many HF ballasts can safely be supplied from one circuit breaker without the risk of nuisance tripping.

This information can then be divided into the minimum peak tripping current of the circuit breaker as shown in the Table below.

## Minimum peak tripping current

Circuit breaker type	Circuit breaker rated current								
	6A	10A	16A	20A	25A	32A	40A	50A	63A
B	26	43	68	85	106	136	170	212	268
C	43	71	113	142	177	223	283	354	446
D	85	142	226	283	354	453	566	707	891

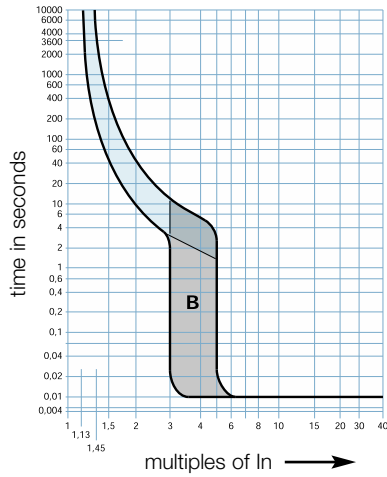
### Example:

How many HF ballasts, each having an expected inrush of 20A can be supplied by a 16A type C circuit breaker? From table above, 16A type C we have a minimum peak tripping current of 113A.

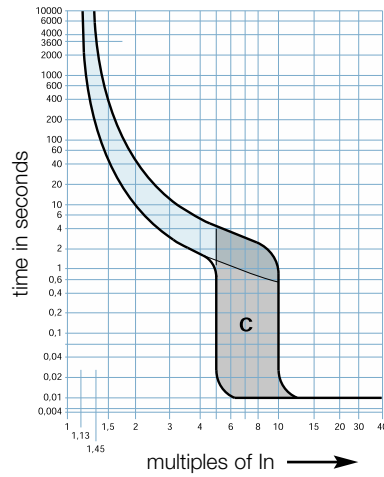
Therefore, 113 / 20 = 5

i.e. 5 ballasts can be supplied by a 16A type C circuit breaker.

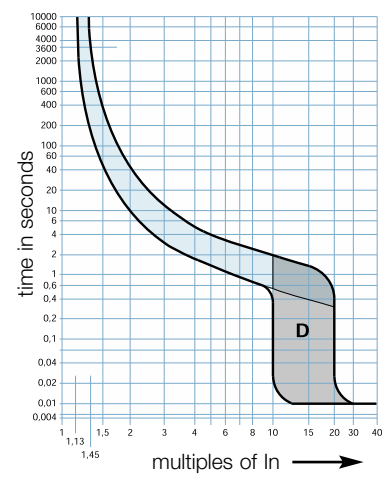
**'B' curve** (IEC 60898)  
MCBs: NBN rated 6-63A



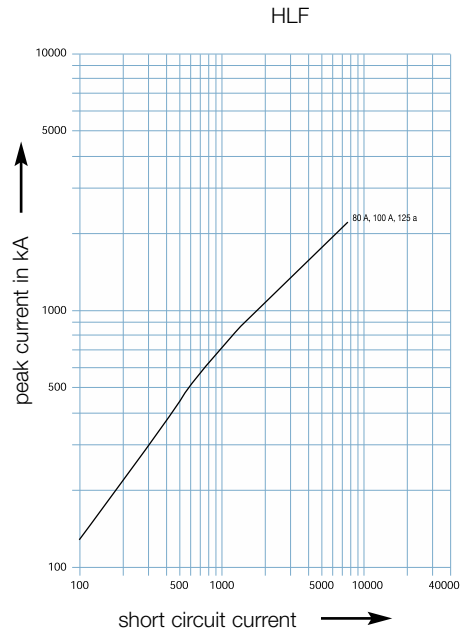
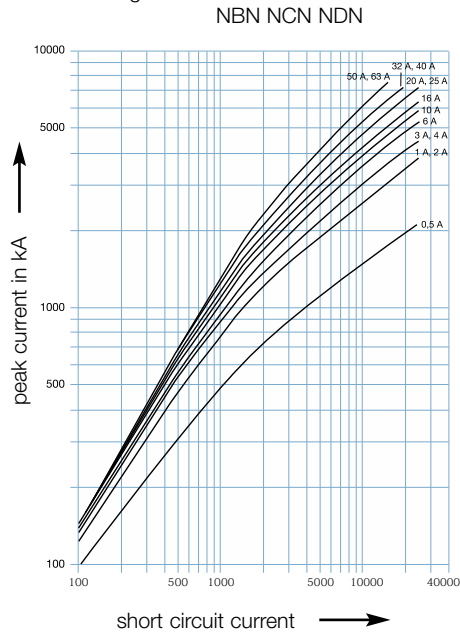
**'C' curve** (IEC 60898)  
MCBs: NCN rated 0.5-63A  
HLF rated 80-125A



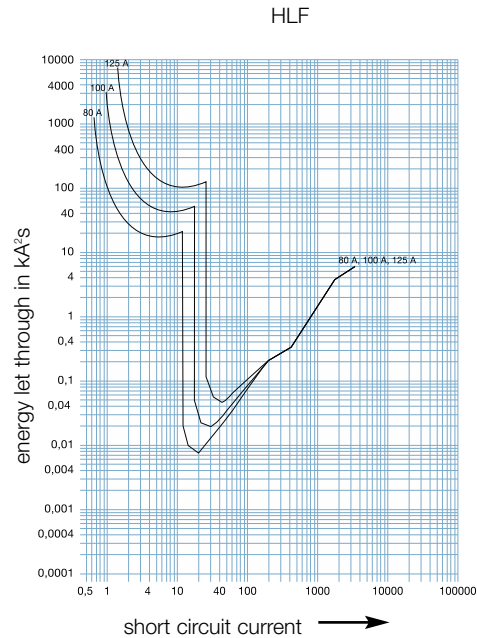
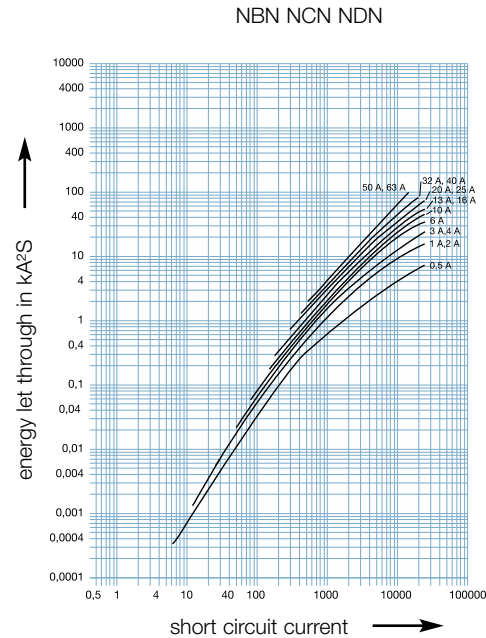
**'D' curve** (IEC 60898)  
MCBs: NDN rated 0.5-63A



current limiting at 400V



$I^2t$  characteristics



# h3 Miniature circuit breakers

Comprehensive range offering reliable solution for protection of installations against overcurrent.



# Residual Current Circuit Breakers

contemporary range with user friendly features to ensure earth leakage protection



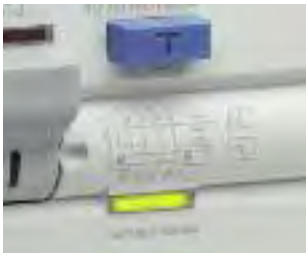
## Advantages for you:

- Earth fault Indicator on front face for easy fault diagnosis
- Contact position indication on front face
- Bi-connect terminals for simultaneous termination of bus bar & wires
- Unique pull up terminals with safety shutters for enhanced safety of users
- IEC, CE & RoHS compliance
- Hi version for disturbed electrical networks having pulsated, DC currents, harmonics and transient voltage

## Technical data:


- IS 12640-1, IEC 61008
- ISI marking
- Ratings - 16A, 25A, 40A, 63A, 100A
- No. of poles - 2P & 4P
- Sensitivity - 10mA, 30mA, 100mA & 300mA
- Trip class - class AC and class Hi
- Earth fault trip indicator on front face
- Protection against nuisance tripping caused by switching transients

# Expert tips



## 01

Earth fault indication on front face

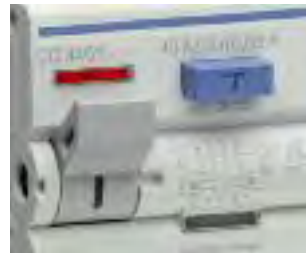
-  Grey : normal condition
  -  Yellow : tripping on earth fault
- yellow flag provides visual indication on earth fault



## 02

User friendly terminal design

- bi-connect terminal
- pull-up design
- safety shutter (IP 2X)
- line - load reversible



## 03

Positive contact indicator

-  Red : ON
  -  Green : OFF
- more safety to the user
- positive contact indication
- indicates actual contact position



## 04

Special Hi RCCBs for commercial application

- ideal earth leakage protection solution for offices, IT parks & BPOs
- avoid nuisance tripping in electrical networks with electronic loads
- ensure tripping in networks with pulsated DC components

# Residual current circuit breakers (RCCBs)

## Description

- Automatically trips in event of earth leakage fault
- Provides protection against direct & indirect contact with live parts

## Technical data

- IS 12640-1, IEC 61008
- ISI marking
- CE marking
- Ratings - 16A, 25A, 40A, 63A, 100A
- No. of poles - 2P & 4P
- Sensitivity - 10mA, 30mA, 100mA & 300mA
- Trip class - class AC

## Features & benefits

- Positive contact indicator on front face
- Earth fault indicator on front face
- Bi-connect terminals with pull-up design
- Finger proof (IP2X) terminal with safety shutters
- Protection against nuisance tripping due to switching transients
- CE & RoHS compliant, "Green" product
- Wide range of accessories are available

## Connection

- 25-63A: 25sq.mm rigid / 16sq.mm flexible
- 100A: 50sq.mm rigid / 35sq.mm flexible

	Sensitivity IDn	Rating In	Modules	Cat. Ref.
 CD240Y	<b>Double Pole (1P + N)</b>			
	10mA	16A	2	<b>CC216Y</b>
		25A	2	<b>CC225Y</b>
	30mA	25A	2	<b>CD225Y</b>
		40A	2	<b>CD240Y</b>
		63A	2	<b>CD263Y</b>
		100A	2	<b>CD284Y</b>
	100mA	25A	2	<b>CE225Y</b>
		40A	2	<b>CE240Y</b>
		63A	2	<b>CE263Y</b>
		100A	2	<b>CE284Y</b>
	300mA	25A	2	<b>CF225Y</b>
		40A	2	<b>CF240Y</b>
63A		2	<b>CF263Y</b>	
 CD440Y	<b>Four Pole</b>			
	30mA	25A	4	<b>CD425Y</b>
		40A	4	<b>CD440Y</b>
		63A	4	<b>CD463Y</b>
		100A	4	<b>CD484Y</b>
	100mA	25A	4	<b>CE425Y</b>
		40A	4	<b>CE440Y</b>
		63A	4	<b>CE463Y</b>
		100A	4	<b>CE484Y</b>
	300mA	25A	4	<b>CF425Y</b>
		40A	4	<b>CF440Y</b>
		63A	4	<b>CF463Y</b>
		100A	4	<b>CF484Y</b>

**Description**

- Automatically trips in event of earth leakage fault
- Provides protection against direct & indirect contact with live parts
- Suitable for electrically disturbed networks with pulsated DC, transients & harmonics
- Avoids "nuisance tripping" & "blinding"

**Technical data**

- Conforms to IEC 61008
- Ratings - 25A, 40A, 63A
- No. of poles - 2P & 4P
- Sensitivities - 30mA & 300mA
- Trip Class - class Hi

**Features & benefits**

- Positive contact indicator on front face
- Earth fault indicator on front face
- Bi-connect terminals with pull-up design
- Finger proof (IP2X) terminal with safety shutters
- Protection against nuisance tripping due to switching transients & harmonics
- Avoids "blinding" due to pulsated DC currents
- RoHS compliant, "Green" product
- Wide range of accessories are available

**Connection**

- 25sq.mm rigid
- 16sq.mm flexible



CH225J



CQ440J

Sensitivity IDn	Rating In	Modules	Cat. Ref.
<b>Double Pole (1P + N)</b>			
30mA	25A	2	<b>CH225J</b>
	40A	2	<b>CH240J</b>
	63A	2	<b>CH263J</b>
300mA	25A	2	<b>CQ225J</b>
	40A	2	<b>CQ240J</b>
	63A	2	<b>CQ263J</b>
<b>Four pole</b>			
30mA	25A	4	<b>CH425J</b>
	40A	4	<b>CH440J</b>
	63A	4	<b>CH463J</b>
300mA	25A	4	<b>CQ425J</b>
	40A	4	<b>CQ440J</b>
	63A	4	<b>CQ463J</b>

# Residual circuit breakers (RCBOs)

## 2P, 2 module with overcurrent protection

### Description

- Provides protection on over-load, short-circuit & earth leakage faults
- Compact 2 pole, 2 module device, saves space

### Technical data

- Conforms to IEC 61009
- Ratings - 6 to 40 A
- No. of poles - 2 pole (in 2 modules)
- Sensitivity - 30mA, 100mA & 300mA
- Tripping curve - C
- Trip Class - class AC
- Breaking capacity – 6kA as per IEC 61009

### Features & benefits:

- Earth fault indicator on front face
- Bi-connect terminals with pull-up design
- Finger proof (IP2X) terminal with safety shutters
- Energy let thru Class 3 reduces stress on cables & insulators
- RoHS compliant, "Green" product
- Wide range of accessories are available

### Connection

- 25sq.mm rigid
- 16sq.mm flexible



AD956Y

Sensitivity IDn	Rating In	Modules	Cat. Ref.
<b>Double Pole (1P + N)</b>			
30mA	6A	2	<b>AD956Y</b>
	10A	2	<b>AD960Y</b>
	16A	2	<b>AD966Y</b>
	20A	2	<b>AD970Y</b>
	25A	2	<b>AD975Y</b>
	32A	2	<b>AD982Y</b>
	40A	2	<b>AD990Y</b>
100mA	6A	2	<b>AE956Y</b>
	10A	2	<b>AE960Y</b>
	16A	2	<b>AE966Y</b>
	20A	2	<b>AE970Y</b>
	25A	2	<b>AE975Y</b>
	32A	2	<b>AE982Y</b>
	40A	2	<b>AE990Y</b>
300mA	6A	2	<b>AF956Y</b>
	10A	2	<b>AF960Y</b>
	16A	2	<b>AF966Y</b>
	20A	2	<b>AF970Y</b>
	25A	2	<b>AF975Y</b>
	32A	2	<b>AF982Y</b>
	40A	2	<b>AF990Y</b>



**Description**

- Provides protection on overload, short-circuit & earth leakage faults
- Suitable for electrically disturbed networks with pulsated DC, transients & harmonics

**Technical data**

- Conforms to IEC 61009
- Ratings - 6 to 40A
- No. of poles - 2P
- Sensitivities - 30mA & 300mA
- Tripping curve - C
- Trip class - class Hi
- Breaking capacity – 6kA as per IEC 61009

**Features & benefits**

- Earth fault indicator on front face
- Bi-connect terminals with pull up design
- Finger proof (IP2X) terminal with safety shutters
- Protection against nuisance tripping due to switching transients & harmonics
- Avoids “blinding” due to pulsated DC currents
- RoHS compliant, “Green” product
- Wide range of accessories are available

**Connection**

- 25sq.mm rigid
- 16sq.mm flexible



ADH956

Sensitivity IDn	Rating In	Modules	Cat. Ref.
<b>Double Pole (1P + N)</b>			
30mA	6A	2	<b>ADH956</b>
	10A	2	<b>ADH960</b>
	16A	2	<b>ADH966</b>
	20A	2	<b>ADH970</b>
	25A	2	<b>ADH975</b>
	32A	2	<b>ADH982</b>
	40A	2	<b>ADH990</b>
300mA	6A	2	<b>AFH956</b>
	10A	2	<b>AFH960</b>
	16A	2	<b>AFH966</b>
	20A	2	<b>AFH970</b>
	25A	2	<b>AFH975</b>

## Description

- Provides protection on over-load, short-circuit & earth leakage faults
- 2 pole RCBO-4 module width
- 4 pole RCBO-7.5 module width

## Technical data



- ISI Marked
- Conforms to IEC 61009/IS 12640-2
- Ratings - 6 to 63 A
- No. of poles - 2 pole and 4 pole
- Sensitivity - 30mA, 100mA & 300mA
- Tripping curve - C
- Trip Class - class AC
- Breaking capacity - 10kA

## Features & benefits:

- No of Poles: 2P, 4P
- Current Rating: 6A to 63A
- Sensitivity: 30, 100, 300mA
- Breaking Capacity: 10kA
- RCD Type: Type AC
- MCB Trip Curve: C
- Trip Indication: Blue colour on toggle
- Terminal Cover: Yes
- Accessories: Yes (on the left side)

## Connection

- 25sq.mm rigid
- 16sq.mm flexible

	Sensitivity IDn	Rating In	Modules	Cat. Ref.	
	<b>Double Pole</b>	30mA	6A	4	<b>ADC206Y</b>
			10A	4	<b>ADC210Y</b>
			16A	4	<b>ADC216Y</b>
			25A	4	<b>ADC225Y</b>
			32A	4	<b>ADC232Y</b>
			40A	4	<b>ADC240Y</b>
			63A	4	<b>ADC263Y</b>
	100mA	6A	6A	4	<b>AEC206Y</b>
			10A	4	<b>AEC210Y</b>
			16A	4	<b>AEC216Y</b>
			25A	4	<b>AEC225Y</b>
			32A	4	<b>AEC232Y</b>
			40A	4	<b>AEC240Y</b>
			63A	4	<b>AEC263Y</b>
300mA	16A	16A	4	<b>AFC216Y</b>	
		25A	4	<b>AFC225Y</b>	
		32A	4	<b>AFC232Y</b>	
		40A	4	<b>AFC240Y</b>	
		63A	4	<b>AFC263Y</b>	
	<b>Four Pole</b>	30mA	16A	7.5	<b>ADC416Y</b>
			25A	7.5	<b>ADC425Y</b>
			32A	7.5	<b>ADC432Y</b>
			40A	7.5	<b>ADC440Y</b>
			63A	7.5	<b>ADC463Y</b>
	100mA	16A	16A	7.5	<b>AEC416Y</b>
			25A	7.5	<b>AEC425Y</b>
			32A	7.5	<b>AEC432Y</b>
			40A	7.5	<b>AEC440Y</b>
			63A	7.5	<b>AEC463Y</b>
	300mA	16A	16A	7.5	<b>AFC416Y</b>
			25A	7.5	<b>AFC425Y</b>
			32A	7.5	<b>AFC432Y</b>
			40A	7.5	<b>AFC440Y</b>
			63A	7.5	<b>AFC463Y</b>

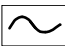
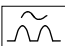
## Residual current devices

A residual current device is the generic term for a device which simultaneously performs the functions of detection of the residual current, comparison of this value with the rated residual operating value and opening the protected circuit when the residual current exceeds this value.

For fixed domestic installations and similar applications we have two types :-

- Residual current operated circuit-breaker without integral over-current protection (RCCB) which should comply with the requirements of IEC 61008
- Residual current operated circuit-breaker with integral over-current protection (RCBO) which should comply with the requirements of IEC 61009

Both RCCBs and RCBOs are further divided into types depending on their operating function:

-  Type AC for which tripping is ensured for residual sinusoidal alternating currents, whether suddenly applied or slowly rising.
-  Type A for which tripping is ensured for residual sinusoidal alternating currents and residual pulsating direct currents, whether suddenly applied or slowly rising.
- Type S for selectivity, with time-delay.

**S** RCCBs must be protected against over-current (overload & short-circuit) by means of circuit-breakers or fuses

RCBOs have their own in built short-circuit protection, up to its rated breaking capacity

## RCCBs - domestic installation

RCCBs can be installed in two ways:

1. whole house protection
2. per phase isolation (PPI)

Whole house protection is provided typically by a consumer unit where the RCCBs serves as the main switch. Although very popular this suffers from a disadvantage: all circuits are disconnected in the event of fault. Selective protection can be provided by associating the RCCBs with identified high risk circuits by adopting one or more of the following:

- Split busbar consumer unit:
 

All circuits are fed via an overall isolator and selected circuits fed additionally via the RCCBs. Typical circuits fed direct are lighting, freezer, storage heating; and circuits fed via the RCCBs are socket outlets, garage circuits. This concept minimises inconvenience in the event of fault.
- Per phase isolation (PPI):
 

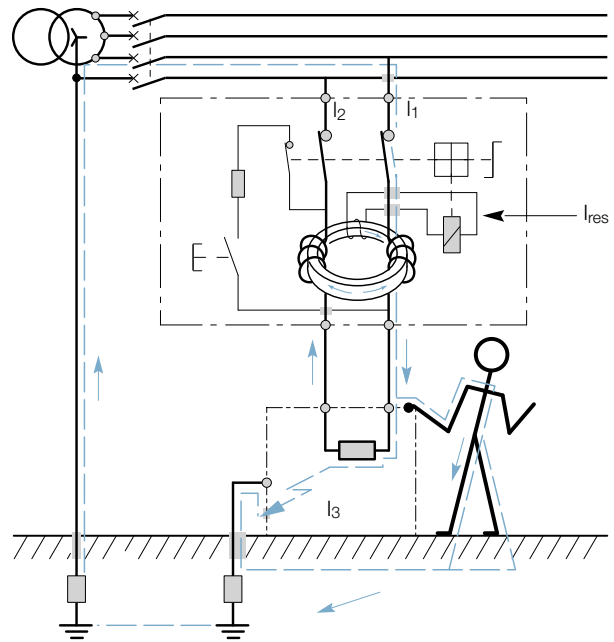
A 30mA RCD is used as sub-incomer for each individual phase. In event of a fault, only faulty phase is disconnected and supply to remaining healthy phases is not affected.

## Nuisance tripping

All Hager RCCBs incorporate a filtering device preventing the risk of nuisance tripping due to transient voltage (lightning, line disturbances on other equipment) and transient currents (from high capacitive circuit).

Two opposing diodes placed in parallel to secondary coil prevent voltage surges from reaching the secondary and hence the delay.

## Working principle of RCCBs



Current flowing through toroid in healthy circuit

$$\vec{I}_{res} \propto \vec{I}_1 + \vec{I}_2 = 0$$

Current flowing through toroid in circuit with earth fault  $I_3$

$$\vec{I}_{res} \propto \vec{I}_3 = \vec{I}_1 + \vec{I}_2$$

The drawing above shows how a toroid is located around the line and neutral conductors to measure the magnetic fields created by the current flowing in these conductors. The sum of the magnetic fields set up by these currents (which takes into consideration both the magnitude and phase relationship of the currents) is detected by the toroid.

In a normal healthy circuit the vector sum of the current values added together will be zero. Current flowing to earth, due to a line earth fault, will return via the earth conductor, and regardless of load conditions will register as a fault. This current flow will give rise to a residual current ( $I_{res}$ ) which will be detected by the device.

It is most important that the line and neutral conductors are passed through the toroid. A common cause of nuisance operation is the failure to connect the neutral through the device.

RCCBs work just as well on three phase or three phase and neutral circuits, but when the neutral is distributed it must pass through the toroid.

## Use of RCCBs

RCCBs offer excellent protection against earth leakage currents, the main areas of application being as follows:

- $Z_s$  value too high to allow disconnection in the required time

Where the overcurrent protection or a circuit breaker cannot provide disconnection within the specified time because the earth fault loop impedance is too high, the addition of RCCB protection may well solve the problem without any other change in the system. Because of its high sensitivity to earth fault current and its rapid operating time, in most cases the RCCB will ensure disconnection within the specified time. This is achieved without any detriment to overcurrent discrimination because, unlike the situation in a fuse based system, the increased sensitivity is obtained without increasing sensitivity to overcurrent faults. Use of RCCBs in this way can be particularly useful for construction sites and bathrooms where disconnection times are more stringent than for standard installations. (Construction sites - 0.2s at 220-277V, bathrooms - 0.4s).

The limitation to this technique is the requirement that the rated residual operating current multiplied by  $Z_s$  should not exceed 50V. This is to avoid the danger of exposed conductive parts reaching an unacceptably high voltage level.

Residual current protection can even be added to a completed distribution system where the value of  $Z_s$  is excessive, either because of a design oversight or subsequent wiring modification.

- Protection against shock by direct contact

So far we have considered shock by indirect contact only. Direct contact is defined thus:

Direct contact - contact of persons or livestock with live parts which may result in electric shock. The consideration here is not the hazard of parts becoming live as a result of a fault but the possibility of touching circuit conductors which are intentionally live.

RCCBs, although provides good protection against the potentially lethal effects of electric shock, must not be used as the sole means of protection against shock by direct contact. The other measures that should be taken are :

- insulation of live parts
- barriers or enclosures
- obstacles
- placing live parts out of reach

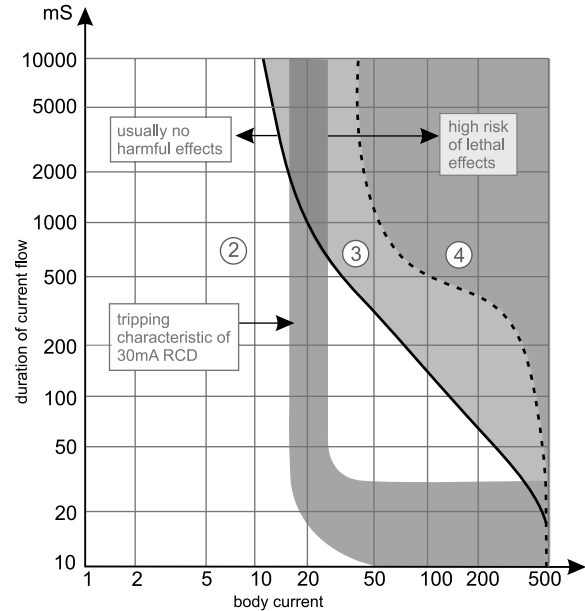
Additionally an RCCB used for this purpose should have:

- a sensitivity of 30mA
- an operating time not exceeding 40mS at a residual current of 150mA

The specified sensitivity is based on research that has been carried out to estimate the effect of various levels and duration of current can have on the human body. This experience is summarised in a graph shown in 'IEC 60479-1: Effects of current passing through the human body'. A simplified version of this graph is shown. It shows that very small currents can be tolerated for reasonably long periods and moderate currents for very short periods. It can be seen, for instance, that 100mA for 100mS or 20mA for 500mS will not normally cause any harmful effect. 200mA for 200mS or 50mA for 500mS which are in Zone 3, would be more dangerous; and shock levels in Zone 4 carry a risk of lethal consequences.

The tripping characteristic for a 30mA RCD is also shown in the graph. It shows the level of current required to cause the RCD to trip, for example; 50mA will cause a trip but not 10mA. Comparing its characteristic with the various zones on the graph it can be seen that the 30mA RCD gives a very good measure of protection against the hazards associated with electric shock. Where a higher level of protection is required, for example in laboratories, 10mA devices are available.

Note:



Although RCDs are extremely effective devices they must never be used as the only method of protection against electric shock. With or without RCD protection all electrical equipment should be kept in good condition and should never be worked on live.

Various national & international regulations make it mandatory to use RCCBs in electrical installation. For ex - IEC-60364 standard also deals with protection against electric shocks resulting from direct & indirect contacts with electrically parts in electrical installations. IS-12640 part I & part II and IEC-61008 & IEC-61009 gives guidelines for residual current devices for protection against electric shocks.

RCCBs are an efficient protection device for ensuring people's protection against electrical shocks resulting from direct and indirect contact with electrically live parts in any installation.

RCCBs are used for various applications depending upon different current sensitivities.

- 30mA RCCB - for protection against direct contacts
- 100mA RCCB - for protection against indirect contact / in large or old installations where natural leakage is high
- 300mA RCCB - for protection against fire, insulation faults in commercial & industrial installations

### High Immunity (Hi) RCCBs

Increased use of semi-conductors in electronic instruments in commercial application such as computers, printer, photocopiers and other non-linear loads and in industrial applications such as VFD, thristors, inverters, speed controllers have increased problems of pulsated DC currents, harmonics and transients in electrical networks. These electrical disturbances (pulsated DC currents, harmonics and transients) distorts the pure sine waveform of alternating current and lowers the overall power quality.

RCCB being a very sensitive device may trip due to these electrical disturbances in the system, which deforms/distort the sine wave.

These disturbances can be due to:

- External disturbance - High voltage network disturbance, natural lightening
- Internal disturbances - Harmonics - non linear loads like VFD, electronic loads  
Pulsated DC currents – Thyristors, SMPS, electronic loads  
Switching surges – switching of induction motors, transformers

IEC 61008 defines RCCB as per following class:

- Class AC - for normal AC supply networks with no harmonics
- Class A - for disturbed AC supply networks having pulsated DC currents
- Class B - for pure DC networks

Effect of network disturbances of working of RCCBs  
Pulsated DC currents

Electrical networks feeding power to devices like SMPS, thyristors, dimmers, VFDs, power electronics etc. would generate pulsated DC components in the leakage currents.

As per Faraday's law, the rate change of flux generated at the core due to the leakage current with pulsated DC components is not proportional to the magnitude of the leakage current. The tripping relay then would not have sufficient power to trip the RCCB, thereby compromising on safety. This phenomena is know as "Blinding" of RCCBs.

### Harmonics

In a normal alternating current power system, the voltage varies sinusoidally at a specific frequency, 50 hertz for India. When a linear electrical load is connected to the system, it draws a sinusoidal current at the same frequency as the voltage (though usually not in phase with the voltage).

When a non-linear load, such as a rectifier, is connected to the system, it

draws a current that is not necessarily sinusoidal. The current waveform can become quite complex, depending on the type of load and its interaction with other components of the system. It is possible to decompose it into a series of simple sinusoidal waveforms, with each waveform having a frequency which is an integer multiple of fundamental frequency. These current waveforms which have frequency which is integer multiple of main power frequency current is known as harmonic current. Some common examples of non-linear loads include common office equipment such as computers and printers, and also variable speed drives.

These high frequency harmonic current negatively affects the performance of RCCBs. Harmonic current increases the impedance of the secondary circuit (given by  $X_L = 2 \pi fL$ ) of the RCCB CBCT. This increase in impedance of secondary circuit hampers the power transfer to the tripping relay. It leads to non-tripping of RCCBs which is also known as "blinding" of RCCBs.

### Transients

Transient over voltages when present in a network generally exceeds the insulation voltage of an installation. This leads to momentary puncture of the insulation, thereby generating leakage current, causing nuisance tripping of AC class RCDs. AC class RCDs cannot differentiate between a transient and permanent leakage current.

### Effects of electronic loads on RCCBs

Electronic devices like computers, printers, copiers, medical equipments like x-ray machines, to comply with EMC directives, are equipped with interference filters. These interference filters generate permanent leakage current to the tune of 1.5 mA. When a few such loads are connected in a network, the summation of the leakage currents may cross the tripping threshold, and trip the AC class RCD. The risk is high when the installed RCD is AC class with sensitivity of 30 mA.

### Effect of harmonic filters on RCCBs

Harmonics generated and circulating in the networks is harmful and needs to be eliminated by employing filtering condensers between phase / neutral & earth, i.e Harmonic filters. This is essential to facilitate proper functioning of other equipments connected in the network.

AC class RCDs installed in such networks cannot differentiate between a high frequency harmonic leakage current bypassed to the earth and a normal 50 HZ leakage current and trips.

In summary, electrical disturbance in power supply interferes with the operation of RCCBs connected to network. These disturbances have following effects on the working of residual current devices:

#### ❑ Nuisance Tripping

- RCCB may trip without a genuine earth leakage.
- Continuity of supply is affected, though no compromise in people's safety.

#### ❑ Blinding

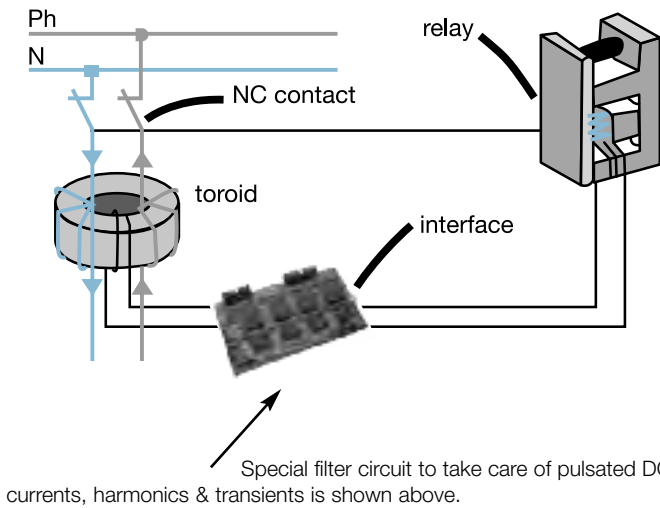
- RCCB may not trip on a genuine earth leakage
- People's safety is no longer guaranteed

In both above cases, either continuity of supply or people's safety is compromised which is not desirable.

To take care of “blinding” & “nuisance tripping” problems, Hager offers special “Hi RCCB” which can withstand the disturbances which causes nuisance tripping or blinding in normal (class AC & class A) RCCBs.

Hager Hi RCCBs have following design features which make it superior than Class A or AC RCCBs for electrically disturbed networks:

- specially designed toroid which solves the problem of non-activation of relay in case of leakage of pulsated DC current.
- electronic filter circuits for treatment of tripping signals to improve the performance compared to standard RCCBs.
- Improved tripping band of 80 - 100% of rated sensitivity which is much narrower than a normal class AC RCCBs (50-100%).



Special filter circuit to take care of pulsated DC currents, harmonics & transients is shown above.

Hager Hi (High Immunity) RCCBs provides reliable earth leakage protection in electrically disturbed networks (electrical networks having pulsated DC components, harmonics & switching transients).

Comparison of Hager Hi RCCBs with Class A & Class AC RCCBs generally available

Following table shows the comparison between Class AC, Class A & Hager Hi RCCBs.

RCCB type	Suitable for electrical networks with		
	Pulsated DC current	Harmonics	Switching surges
Class AC RCCB	No	No	No
Class A RCCB	Yes	No	No
Hager Hi RCCB	Yes	Yes	Yes

Class A RCCB may not work satisfactorily in electrical networks disturbed by harmonics & switching transients and may give nuisance tripping.

Hager Hi (High Immunity) RCCBs are suitable for earth leakage protection in electrically disturbed networks (electrical networks having pulsated DC components, harmonics & switching transients).

Hager Hi RCCBs employs special filter circuits to avoid “nuisance tripping” (tripping without any genuine fault) and ensure tripping on genuine earth faults (avoids blinding).

Various disturbances causing nuisance tripping or blinding

Following table shows the common loads in commercial & industrial application which generate pulsated DC components or harmonics.

Disturbance	Nuisance Tripping	Blinding	Loads / Factors
50 Hz constant leakage currents	⚠		Charged Cables
HF Transient leakage currents / Equipped with filters	⚠	⚠	Electronic Ballasts, Dimmers, SMPS, Power Electronic Equipments
Leakage currents with pulsed DC components		⚠	DC Motors, SMPS, Variable Speed Drives
Devices with interference filters for EMC compliance	⚠		Computers, Printers, Copiers, X rays, Medical equipments
Lightning surges	⚠		Natural lightning
Switching surges	⚠		Motors, Transformers, Neon Lights

### Technical Specifications

Standards	IEC 61008-1, IS 12640 (Part 1)
Rated Current In	25, 40, 63 & 100A
No. of poles	2P & 4P
Sensitivity	10, 30, 100 & 300mA
Class	Class AC & Class Hi (high immunity)
Rated Voltage	230V (2P) - for 25-3A, 240V for 100A 230/400V (4P) - for 25-63A, 240/415V for 100A
Rated Frequency	50Hz
Rated Residual Making & Breaking Capacity <b>IDm</b>	1500A(2P), 630A(4P)
Rated Making & Breaking Capacity <b>IDm</b>	1500A(2P), 630A(4P)
Short Circuit Withstand: with fuse back up	10kA for 25, 40A; 6kA for 63A
with MCB 10kA back up	10kA for 25, 40A; 9kA for 63A
Rated Impulse Withstand Voltage 1.2/50µs	4KV
Electrical Endurance at pf = 0.9	10000 operations
Rated Insulation Voltage Ui	500V
Dielectric Voltage	2500V
Degree of Protection	IP2X
Contact Flag Indication	Red for ON, Green for OFF
Fault Indication	Yellow flag indication
Ambient Temperature	-25 to +40°C
Storage Temperature	-55 to +70°C
Mounting Position	Horizontally, vertically or flat
Bus Bars	KDNxxx

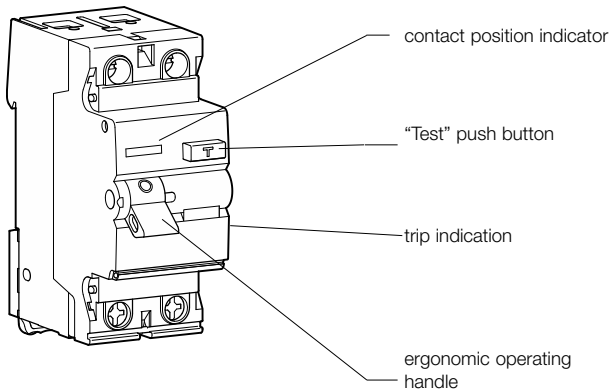
### Residual current circuit breaker with over current protection (RCBO)

RCBO gives combined protection against earth leakages as well as against overloads and short circuits.

#### Technical Specifications

Standards	IEC 61009-1, EN 61009-1
Rated Current In	6,10,16,20,25,32 & 40 A
No. of Poles	2P
Sensitivity	30, 100 & 300mA
Class	Class AC & Class Hi (high immunity)
Tripping curve	C curve (5 - 10 in)
Energy Limiting Class	3
Rated Voltage	240V AC
Rated Frequency	50Hz
Rated Residual Making and Breaking Capacity <b>IDm</b>	1500A
Electrical Endurance at pf = 0.9	10000
Rated Insulation Voltage Ui	500V
Dielectric Voltage	2500V
Degree of protection	IP2X
Fault Indication	Yellow flag indication
Ambient Temperature	-25°C to + 30°C
Storage Temperature	-55°C to + 70°C
Mounting Position	Horizontally, Vertically or Flat
Bus bars	KDNxxx

## Product presentation



### Contact position indicator

The mechanical indicator on the front of RCCB shows the physical position of the contacts.

- Red indication for closed contacts
- Green indication for open contacts

The green indication is the guarantee that the contacts are open and that the terminals are not live.

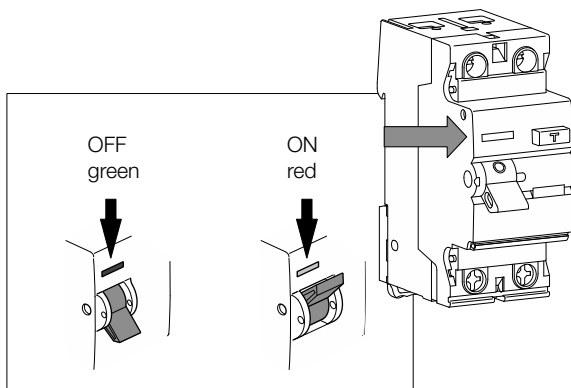
### Trip indicator

The status of the RCCB can be visualised by the colour of the trip indicator in addition to the position of the operating lever.

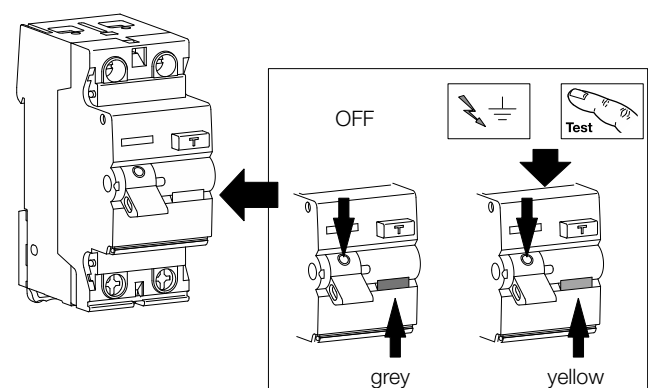
- Grey indication for normal conditions (even when operating lever is in ON/OFF position)
- Yellow indication for tripped condition, operating lever in OFF position

Similar condition exists when TEST button is pushed or RCCB is remotely tripped via protection auxiliaries.

### Positive contact indication



### Earth leakage fault indication

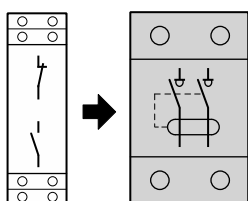


## Mounting of auxiliaries

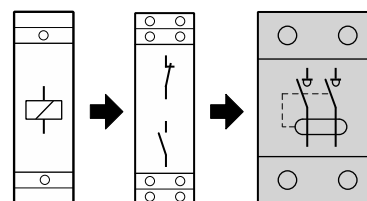
It is possible to mount two auxiliaries on RCCB.

- Auxiliary CZ 001 for ON/OFF status and TRIP indication is mounted first on the left hand side of the RCCB.
- Additional protection auxiliary MZ 203 to MZ 209 can be mounted besides CZ 001.

### Auxiliaries association possibilities



CZ 001  
(CA+SD)



MZ 203... + CZ 001  
MZ 206 (CA+SD)  
MZ 209



**Description**

- RCD Add on blocks (RCD AoB) suitable for 80, 100 & 125A HLF MCBs
- Fits on right side of 3P & 4P HLF MCBs
- Protection against fire caused by insulation faults – 300mA, 500mA, 1A
- Protection against electric shocks – 30mA
- Combined unit (HLF MCB+RCD AoB) provides protection against over-loads, short-circuits & earth leakage faults

**Technical Data**

- Conforms to IEC 61009, IEC 60947-2
- Rating – 125A
- No. of poles - 3P & 4P
- Sensitivity –
  - Fixed - 30mA & 300mA
  - Adjustable – 300, 500mA, 1A
- Trip time
  - Fixed - instantaneous
  - Adjustable – 0, 60, 150 msec
- Trip class –
  - AC for normal circuits
  - Hi for electrically disturbed networks
- Breaking capacity – 10kA (with HLF MCBs)

**Feature & benefits**

- Common rating for 80,100 & 125A HLF MCBs
- Choice of fixed or adjustable sensitivity
- Choice of instantaneous trip or trip time delay version
- Class AC and class Hi versions

**Connection**

- 35 sq mm flexible wire (50 sq mm possible with some cable end-caps),
- 70 sq mm rigid wire

IP2X terminals



BTH380E



BDC480E

	Rating	Sensitivity / Trip time	Modules	Cat. Ref.
<b>Type AC</b>				
3P	125A	30mA, instantaneous trip	6	<b>BDC380E</b>
	125A	adjustable sensitivity – 300/500mA/1A Trip time – Inst, 60msec, 150 msec	6	<b>BTC380E</b>
4P	125A	30mA, instantaneous trip	6	<b>BDC480E</b>
	125A	300mA, instantaneous trip	6	<b>BFC480E</b>
	125A	adjustable sensitivity – 300/500mA/1A Trip time – Inst, 60msec, 150 msec	6	<b>BTC480E</b>
<b>Type Hi</b>				
3P	125A	30mA, instantaneous trip	6	<b>BDH380E</b>
	125A	adjustable sensitivity – 300/500mA/1A Trip time – Inst, 60msec,150 msec	6	<b>BTH380E</b>
4P	125A	30mA, instantaneous trip	6	<b>BDH480E</b>
	125A	300mA, instantaneous trip	6	<b>BFH480E</b>
	125A	adjustable sensitivity – 300/500mA/1A Trip time – Inst, 60msec,150 msec	6	<b>BTH480E</b>

RCBO offers three in one protection against earth leakages, over-loads and short-circuits.

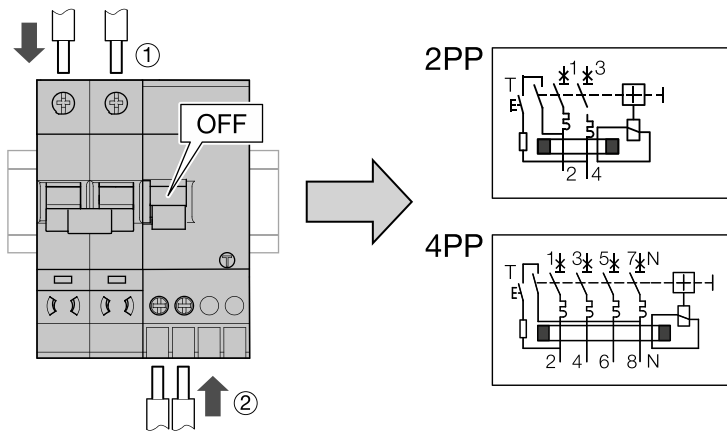
Technical Specifications	
Standards	IEC 60947-2, IEC 61009-1
Rated Current In	6A to 63A
No. of Poles	2P & 4P
Sensitivity	30, 100 & 300mA
Class	Class AC
Tripping curve	C type
Energy Limiting Class	3
Breaking capacity	10 KA
Rated Voltage	230V AC (2 pole) 230/400V AC (4 pole)
Rated Frequency	50Hz
Rated Residual Making and Breaking Capacity I $\Delta$ m	1500A
Degree of protection	IP2X
Terminal Cover	yes
Accessories	Aux, trip, ST, OV, UV
Fault Indication	Mechanical Fault Indication* (on handle)
Ambient Temperature	-25°C to + 40°C
Storage Temperature	-55°C to + 70°C
Mounting Position	Horizontally, Vertically or Flat

\* Earth leakage trip indicator: blue printing on the AOB handle.

## RCDA add on block - 125A (for HLF MCBs)

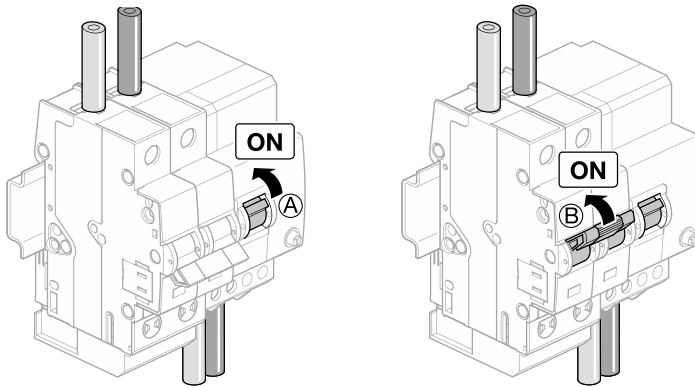
Technical Specifications	
Standards	IEC 60947-2, IEC 61009
Rated Current In	125A
No. of Poles	3P & 4P
Sensitivity	Fixed - 30mA, 300 mA adjustable - 300mA, 500mA, 1A
Class	Class AC & Class Hi (high immunity)
Tripping time	Fixed - instantaneous adjustable - Inst. 60msec, 150msec
Tripping curve	Depending on MCB
Energy Limiting Class	Depending on MCB
Rated Voltage	230V - 2P, 415 V - 4P
Rated Frequency	50Hz
Rated Residual Making and Breaking Capacity I $\Delta$ m	1500A
Degree of protection	IP2X
Fault Indication	Mechanical Fault Indication* (on handle)
Ambient Temperature	-25°C to + 40°C
Storage Temperature	-55°C to + 70°C
Mounting Position	Horizontally, Vertically or Flat

### Electrical connection

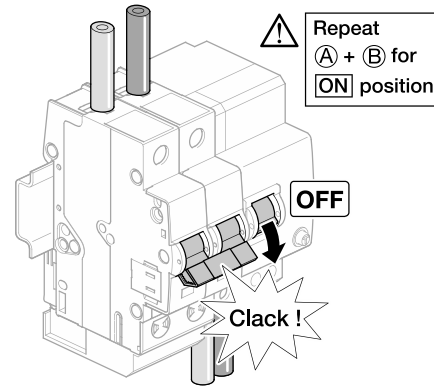


	6 to 25 A	40 to 63 A
(mm <sup>2</sup> )	10 □	25 □
(mm <sup>2</sup> )	6 □	16 □
	12 mm	
	PZ2	
	2,5 Nm	
	2,2 Nm	2,9 Nm

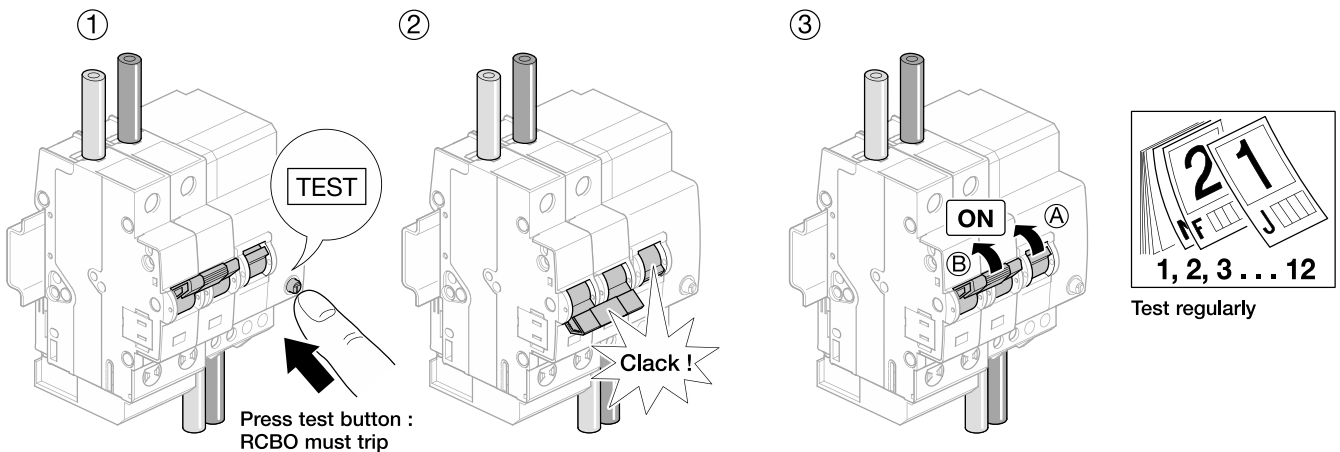
### Operating ON



### Operating OFF



### TEST



### Auxiliaries association possibilities (see catalogue for more details)

- Auxiliary contacts
- Alarm contacts
- Shunt trip
- Undervoltage release
- Overvoltage release
- Locking kit

All auxiliaries are common to multi-pole circuit breakers. These auxiliaries are fitted to the left hand side of devices.


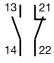
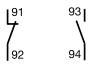



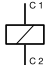


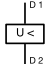


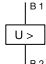
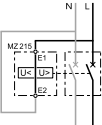
	25, 40 & 63A	25A	40 & 63A
No. of poles	2	4	4
No. of modules	4	6	7.5
Weight (g)	154g	174 g	250g
Qty per pack	1	1	1

## Description

- Auxiliaries are common to both single / multi-pole circuit breakers
- These auxiliaries are fitted to the left hand side of devices
- Use of MZ203, MZ204, MZ205, MZ206 and MZ209 on RCCBs requires the use of interface auxiliary CZ 001

## Connection capacity

- 6sq. mm. rigid cables
- 4sq. mm. flexible cables

	Description	In (Amp)	Modules	Cat. Ref.
	<b>Auxiliary contacts</b> 	1NO + 1NC auxiliary contact indication of main contact status. 6A - 230V~ Use with MCB / RCBOs	1/2	<b>MZ201</b>
	<b>Alarm contacts</b> 	trip alarm contact is used to indicate tripping of connected device on fault (e.g. MCB tripped on overload or short circuit). 1NO + 1NC 6A - 230V~ Use with MCB / RCBOs	1/2	<b>MZ202</b>
	<b>Auxiliary + alarm switch (for RCCBs)</b> 	indicates the position of the associated RCCB on, off, tripped. Also acts as RCCB interface with standard MCB auxiliaries MZ203, MZ204, MZ205, MZ206 & MZ209 2 NO + 2 NC 6A - 230V~ Use with RCCBs)	1	<b>CZ001</b>
	<b>Shunt trip</b> 	allows remote tripping of the connected device.  230V - 415V AC 110V - 130V DC	1	<b>MZ203</b>
		24V - 48V AC 12V - 48V DC	1	<b>MZ204</b>
		<b>Under voltage release</b> 	allows MCB to be closed only when voltage is above 70% of Un MCB will automatically trip when voltage falls by 35% of Un	
		48V DC	1	<b>MZ205</b>
		230V AC	1	<b>MZ206</b>
	<b>Over voltage release</b> 	monitors the Ph-N voltage supplied over the network. Causes automatic tripping of protection device and prevents reclosing in case of permanent over voltage Un > 280V AC. Tripping indication by red flag.	1	<b>MZ209</b>
	<b>Over / low voltage release</b> 	continuously monitors voltage between Phase and Neutral to disconnect when voltage is high or low. Over voltage: >267 V AC Low voltage: 60V AC < U < 170V AC	1	<b>MZ215</b>
	<b>Over voltage release 3Ph+N</b>	continuously monitors voltage between 3 Phase and Neutral to disconnect when voltage is high. Over voltage: U > 275 V AC Suitable for 3Ph+N	1	<b>MZ216</b>
	<b>Locking kit (for operating knob)</b>	allows locking of the device in the on/off position. will accept padlocks with hasps of 4.75mm diameter max.		<b>MZN175</b>

### Functions

Tripping and indication auxiliary contacts are common to the range of multi-pole MCBs. They should be mounted on the left hand side of the device.

#### Auxiliary contact MZ201

Allows remote indication of the status of the device contacts to which it is associated.

#### Alarm contact MZ202

The alarm contact will provide indication if the breaker trips under fault conditions.

#### Shunt trip MZ203 - MZ204

Allows tripping of the device by feeding the coil. It is fitted with internal contacts which allows it to be fed by an impulse or latched feed.  
 MZ 203 - 230V to 415V AC / 110V to 130V DC  
 MZ 204 - 24V to 48V AC /12 to 48V DC

#### Under voltage release MZ205 - MZ206

Allows the MCBs to trip when the voltage drops or by pressing a remote off switch (i.e. emergency stop)  
 MZ 205 - 48V DC  
 MZ 206 - 230V AC

#### Over voltage release MZ209

The over voltage auxiliary causes remote opening of the electrical circuit by tripping the protection device, if there is an over voltage on the network.  
 MZ 209 - 230V AC

#### Over voltage release MZ216

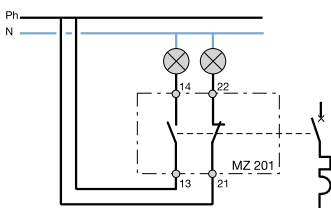
The over voltage auxiliary causes remote opening of the electrical circuit by tripping the protection device, if there is an over voltage on the network. It monitors 3Ph+N voltage and is in single module  
 MZ 216 - 3Ph+N - 230V AC

#### Over & Low voltage release MZ215

Continuously monitors voltage between Phase and Neutral to disconnect when vottage is high or low.  
 MZ215 - 230V AC

### Wiring diagram

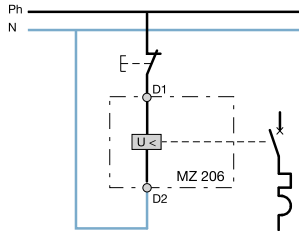
MZ201 auxillary contact



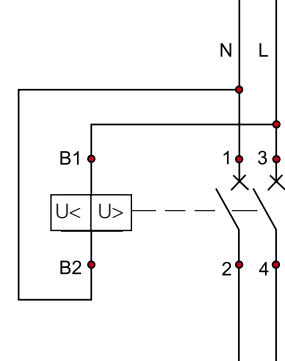
MZ202 auxillary contact



MZ205/MZ206 under release

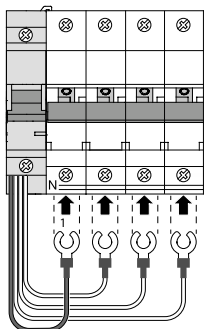


MZ209 OV release / MZ215 OV & UV release

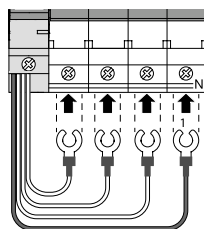


#### MZ216 Wiring connection

Neutral on the left (MCB)



Neutral on the right (MCB)



\* U< - For MZ215 release

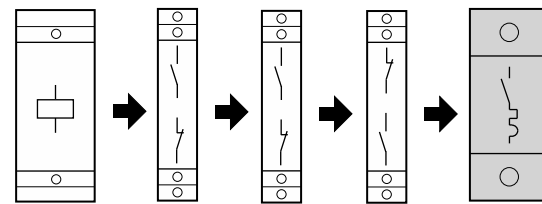
#### Mounting of auxiliaries

No tool is necessary for the mounting of the auxiliaries. The auxiliaries click onto the left side of the breakers and are held in place with special designed fixing points. The whole operation is performed within seconds.

#### Combination of auxiliaries with MCBs and RCBOs

It is possible to combine 4 auxiliaries with miniature circuit breakers however the following must be observed:

- only one protection auxiliary is allowed
- the trip contact MZ202 must be mounted first
- all auxiliaries are left mounted



MZ203 + MZ201 + MZ201 + MZ202 + circuit breaker  
 MZ206 + MZ201 + MZ201 + MZ201

Electrical characteristics	MZ201	MZ202	MZ203	MZ204	MZ205	MZ206	MZ209	MZ215	MZ216
Contact	1NO+1NC	1NO+1NC							
Rating of contact	6A 230V AC	6A 230V AC							
Col voltage Un	-	-	230 to 415 VAC 110 to 130V DC	24 to 48 VAC 12 to 48V DC	48VDC	230 VAC	230 VAC	230 VAC	230V AC 3Ph+N
Energising power	-	-	8VA	8VA	-	-	0.7VA	0.7VA	0.7VA
Voltage tolerances	-	-	-15% of Un	-15% of Un	-	-	U > 267V - 290VAC	U > 267V	U > 275V
Under voltage	-	-	-	-	0.35 - 0.7 Un	0.35 - 0.7 Un	-	60VAC < U < 170VAC	-

# Earth leakage relays

## Description

- Provides protection against insulation faults
- Suitable for higher rated circuits

## Technical data

- Conforms to IEC 60947-2 annexe B, IEC 61008, IEC 61543
- Supply voltage - 230V AC
- Sensitivity
  - Fixed - 30mA, 300mA
  - Adjustable – 30mA, 300mA, 500mA, 1A, 3A, 10A
- Trip time
  - Fixed - instantaneous
  - Adjustable – 0.1, 0.2, 0.3, 0.4, 0.5, 1, 3 sec
- Contact rating- 16A, AC-1, 1 changeover
- Max distance between relay & torroid - 20 meters

## Features & benefits

- Test button for simulation of fault
- Inbuilt protection against nuisance tripping like class A device
- LED for power supply indication
- Choice of fixed or adjustable trip time
- Choice of fixed or adjustable sensitivity
- Positive security - relay trips in case of break in relay & CT link

## Connection

- for HR510
  - rigid 1.5 to 10 sq mm
  - flexible 1 to 6 sq mm
- for HR500 and HR502
  - rigid 1.5 to 4 sq mm
  - flexible 1 to 2.5 sq mm

Description	Characteristics	Modules	Cat. Ref.
-------------	-----------------	---------	-----------



HR502

### Earth leakage relays

standard output 1 C/O	Instantaneous tripping fixed sensitivity IDn : 30mA	1	<b>HR500</b>
standard output 1 C/O	Instantaneous tripping fixed sensitivity IDn : 300mA	1	<b>HR502</b>



HR510

### Earth leakage relays

standard output 1 C/O	adjustable sensitivity IDn : 0.03 - 0.1 - 0.3 - 0.5 - 1 - 3 - 5 - 10A adjustable time delay : 0 - 0.1 - 0.2 - 0.3 - 0.4 - 0.5 - 1 - 3s Hi Type	3	<b>HR510</b>
-----------------------	--	---	--------------

## Torroids for Earth leakage relay

### Description

- Torroids suitable for HR range of earth leakage relays

### Technical data

- Available in 35mm, 70mm, 105mm, 140mm & 210mm diameter
- Max length of wire between relay & torroid – 20 meters

### Mounting

- Either directly on cable or metal strip
- Or on perforated kits

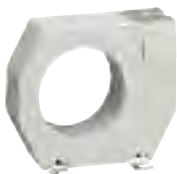
### Connection

- rigid - 1.5 to 4mm<sup>2</sup>
- flexible - 1 to 6mm<sup>2</sup>

Description	Characteristics (diameter)	Cat. Ref.
-------------	----------------------------	-----------

### Circular section torroids

Ø 35mm	<b>HR741</b>
Ø 70mm	<b>HR742</b>
Ø 105mm	<b>HR743</b>
Ø 140mm	<b>HR744</b>
Ø 210mm	<b>HR745</b>



HR742

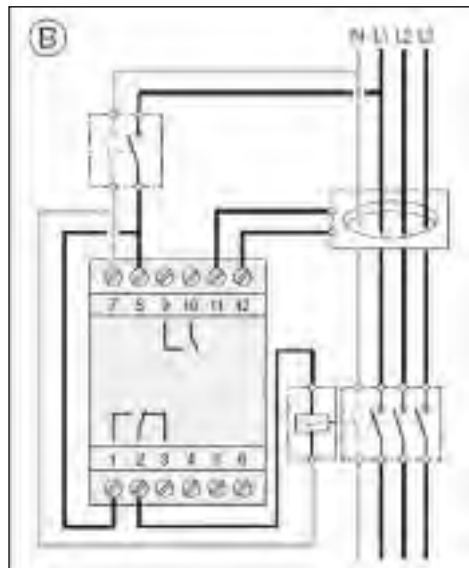
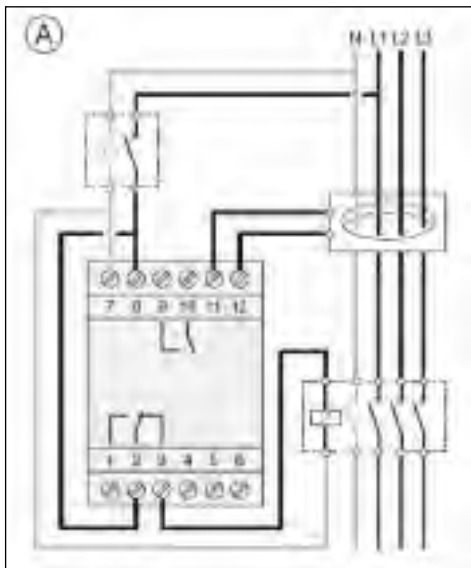
### Technical Specifications

	Non adjustable		Adjustable
	HR500	HR502	HR510
Voltage Supply	230V AC		
Frequency	50/60 Hz		
Power Consumption	5 VA		
Output	Volt free contact		
Contact Rating	1 NO (6A, 230V, AC1)		
Sensitivity $I_{\Delta n}$	30mA	300mA	0.03 / 0.1 / 0.3 / 0.5 / 1 / 3 / 10 A adjustable
Instantaneous/time delay	Instantaneous	Instantaneous	0-0.1-0.2-0.3-0.4-0.5-1-3 sec
Torroid withstand capacity	5 kA / 1,5 s - 14 kA / 1 s - 100 kA / 0,05 s		
Distance between torroid and relay	20 meter maximum		
Relay cable connection			
- Rigid	1.5 to 10 sq mm		
- Flexible	1 to 6 sq mm		
Torroid cable connection			
- Rigid	1.5 to 10 sq mm		
- Flexible	1 to 6 sq mm		
Relay			
- Working temperature	- 25 to + 70 °C		
- Storage temperature	- 10 to + 55 °C		
Torroid			
- Working temperature	- 25 to + 70 °C		
- Storage temperature	- 10 to + 55 °C		

### ELR - Wiring Diagrams

A - Wiring diagram for contactor

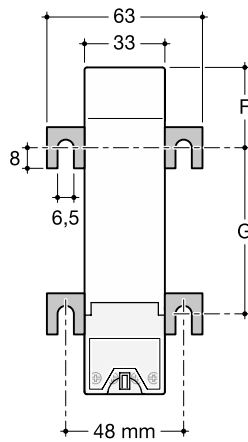
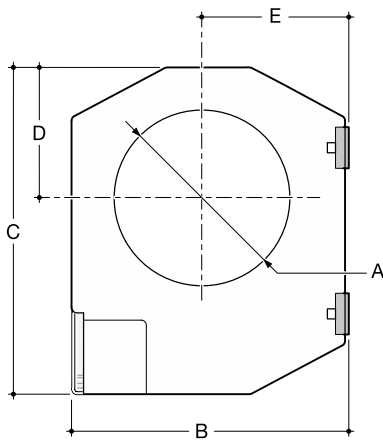
B- Wiring diagram for MCB + shunt



# Torroids for earth leakage relay

HR741, HR742, HR743, HR744, HR745  
(Suitable for HR500, HR502, HR510)

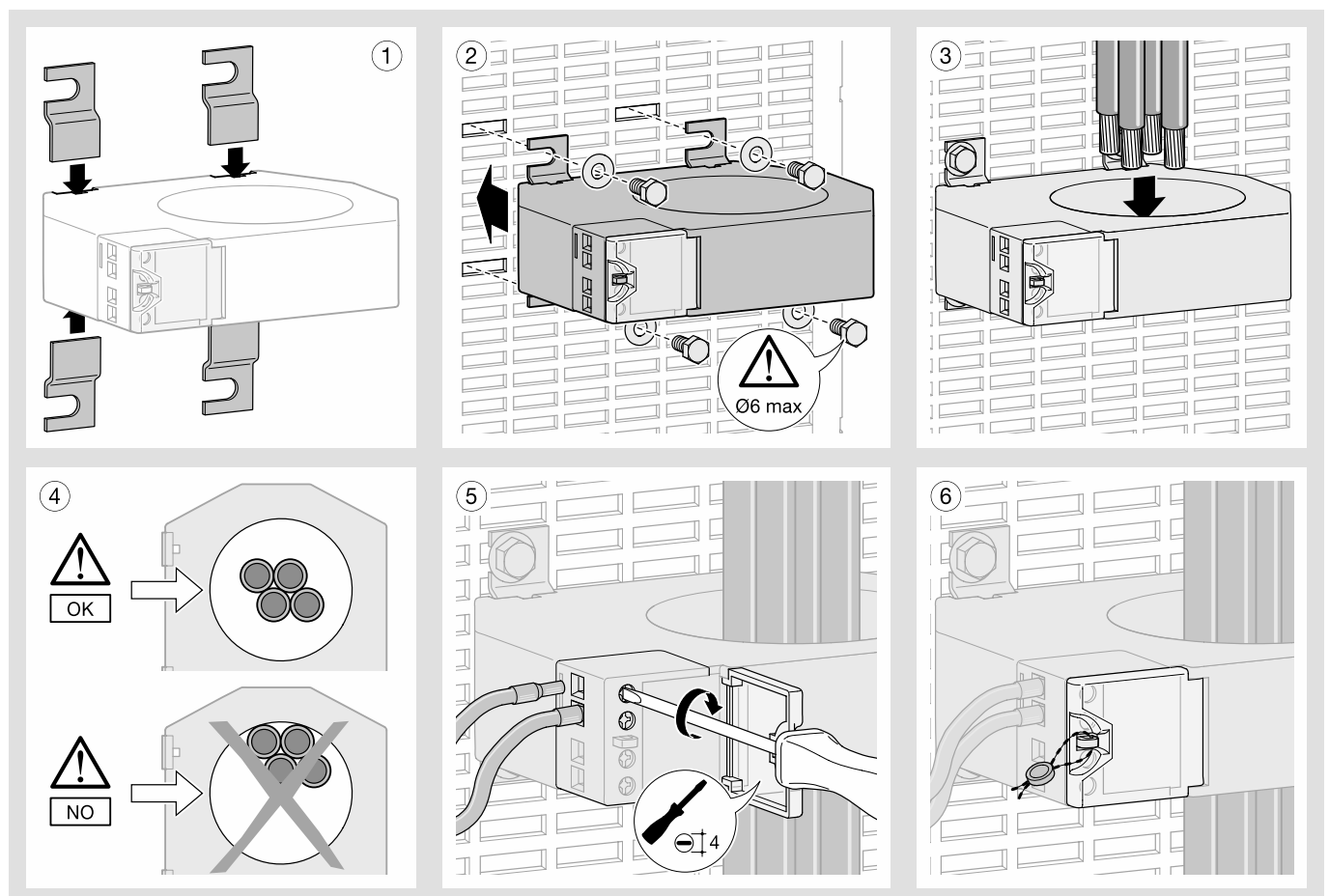
Dimension details



	HR 741	HR 742	HR 743	HR 744	HR 745
A (mm)	Ø 35	Ø 70	Ø 105	Ø 140	Ø 210
B (mm)	79	110	146	196	284
C (mm)	100	130	170	220	299
D (mm)	35	52	72	97	141
E (mm)	43	57	73	98	142
F (mm)	26	32	38	48.5	69
G (mm)	48.5	66	94	123	161

All dimensions are in mm

Installation Instructions







# Surge Protection Devices : type 2 (Class-C) for fine protection

## Description

- Type-2 fine SPD for protection of very sensitive electronic devices
- To complements type-1 & type-2 SPDs for maximum protection

## Technical data

- Conforms to IEC 61643-11
- No of poles - 2P & 4P
- Discharge current, I max - 8kA
- Discharge current waveform - 8/20 micro sec
- Voltage protection level, Up < 800 V (mains + fine protection)

## Features & benefits

- End of life LED indicator on front face
- Up level < 800V, offers best protection to devices on surges
- Can be used in coordination with type-1 & type-2 SPDs

## Connection

- 6 mm<sup>2</sup> flexible conductor
- 10 mm<sup>2</sup> rigid conductor

IP2X terminal



SPN403N

Description	Characteristics	Modules	Cat. Ref..
<b>SPD with low voltage protection level</b>	2 poles 1 Ph + N Up : <1,25 kV at In	2	<b>SPN203N</b>
Un : 230/400 V ~ 50/60 Hz	4 poles 3 Ph + N Up : <1 kV at In	3	<b>SPN403N</b>
	Voltage protection level with a type-2 main + fine protection : Up < 800 V		

## SPDs for telephone lines

### Description

- SPDs for telephone lines
- For the protection of receiver against transient current surge vehicled by telephone lines (fax, modem, etc...)
- In-line connection on telephone line with receiver to be protected.

### Technical data

- Conforms to IEC 61643-21
- Discharge current, I max - 10kA
- Discharge current waveform - 8/20 micro sec

### Connection :

- 0.5 to 2.5 mm<sup>2</sup> flexible conductor
- 0.5 to 2.5 mm<sup>2</sup> rigid conductor

IP2X terminal





SPN505

Description	Characteristics	Modules	Cat. Ref..
<b>Voltage surge protection for analog telephone lines</b>	Un : 130 V Up : 600 V	2	<b>SPN505</b>
<b>Voltage surge protection for digital telephone lines</b>	Un : 40 V Up : 600 V	2	<b>SPN504</b>

**Description**

- Cartridge allows simple replacement without the need to cut-off the power supply.
- Cartridges are available for all discharge currents (65 kA, 40kA, 15kA) with or without reserve protection indication.

- A keying system exists to prevent a line cartridge being interchanged by mistake with a neutral and vice versa.

Description	Cat. Ref..
	<b>Replacement cartridges</b>
SPN065R	for Phase : SPN165R, SPN265R, SPN465R <b>SPN065R</b>
	SPN140R, SPN240R, SPN440R <b>SPN040R</b>
	SPD140D, SPN240D, SPD440D <b>SPD040D</b>
	SPD215D, SPD415 <b>SPD015D</b>
	for Neutral : SPN265R, SPN465R, <b>SPN065N</b>
SPN065N	SPN240R, SPN440R, <b>SPN040N</b>
	SPDxxxD <b>SPD040N</b>

Remark : for replacement of cartridges, choose the same reference as the previous cartridge.

Voltage transients occur quite frequently and are caused by the switching on and off of current in the electrical distribution system, any by lightning activity in the vicinity of the installation.

Over-voltage transients caused by lightning

Lightning occurs due to a build up of an electrical charge within a cloud. Friction within the cloud caused by warm rising air and cold falling air separates electrical charges so that the positive charges go to the top of the cloud and the negative charges go to the bottom.

If we compare the situation in fig. to a capacitor it can be seen the negative charges in the cloud will attract an equal number of positive charges on the ground. When there is enough potential difference between either two clouds, or a cloud and the ground there will be a massive discharge, which will be seen as lightning.



A lightning discharge to earth will occur at the point where the lightning sees the easiest path, exactly in the same way as electrically takes the lowest resistance route within a circuit. If the ground is perfectly flat and the distribution of the negative charges in the cloud is homogenous (evenly spread), and the cloud base is of uniform height above the ground, then the chances of a discharge happening in any particular place will be equal.

However in reality any object that presents itself as an easier path to earth for the lightning is more likely to be struck. For example an average tree is about 10 meters high and contains water, this therefore reduces the distance the lightning has to travel and once struck also presents a lower resistance path to earth than the surrounding air.

(When lightning hits a tree, the current can be 100,000A plus, the resultant energy will be around, 1,000,000,000 Joules of energy and the turn the water to steam so fast, the expansion rips the tree apart)

The principle of presenting a low resistance path is the basis for lightning rods. In its most basic form a lightning rod is a metal pole pointing into the air and situated so that its tip is higher than the structure it is there to protect. The pole is connected to the ground by copper or aluminium tape. The top of the rod is usually pointed in design, as the electric charge density on an object increases as the radius of the object decreases. This increase of electric charge per unit area can ionize the air around it which again makes it easier for the lightning to get to ground.

If a building without any form of protection from direct lightning strikes (i.e. a lightning rod), received a direct strike then no form of electronic protection will help. The magnitude of the current and potential difference involved will cause massive destruction.

If the same building is protected by a lightning rod, the actual structure is safe but the electronic equipment within it needs extra protection because of the indirect effects caused by the lightning.

Below is a summary of the mechanisms by which transient over-voltages can appear in an electrical distribution system due to lightning strikes.

Direct strike to power lines

If lightning directly hits a power line, it will continue to earth taking most of the current with it. A proportion however will be left on the lines and potentially cause havoc on unprotected equipment connected to these lines.

Resistive coupling

If lightning strikes the ground the current injected will want to dissipate as quickly as possible. To do this it will choose the easiest path. If this means using the earth / neutral / live conductors of a distribution system in preference to the soil it will. It will then enter the system via the earthing arrangement.

Inductive coupling

When a current flows, whether in a cable or through the air, there is an associated magnetic field set up perpendicular to the direction of current. When lightning discharges either between clouds or from clouds to earth, a magnetic field can cut any conductors of the supply lines, thus inducing a voltage on it. This voltage then appears across any connected equipment.

The above principle applies for lightning striking a lightning rod. The full current passes down the lightning rod to ground, and sets up a magnetic field. As it does induces a voltage in the power and data lines running throughout the building.

Capacitive coupling

The negative charges accumulating on a cloud will induce a corresponding number of positive charges on to power lines. Once the induced voltage rises sufficiently, breakdown of insulation or destruction of devices can occur.

All four methods of transient coupling can damage equipment installed in a building.

Over-voltage transients caused by current switching

Whenever an electrical load containing components, other than purely resistive loads, is switched, there is a surge of current as the inductive and capacitive elements try to establish their steady state conditions.

An example of this is switching off fluorescent lights. The choke in the light fitting stores up energy while the lamp is running. On switch off, the energy stored in the choke tries to escape because the current that maintains it has been stopped, it does this by using the collapsing magnetic field to generate a voltage across its terminals. This voltage is dependant on the rate of change of current i.e.

$$V = -L \frac{di}{dt}$$

Depending on the current, the rate of change of the current, and the inductive effective of the system the voltage can rise to many times the nominal system voltage, this will appear across any devices connected to the system.

Motors, transformers and discharge lighting are common sources of transients.

It would appear that on power system the maximum transient voltage likely to be created is 6kV, with an associated maximum transient current of 10kA.

Risk assessment

Risk assessment for lightning strikes is the calculation necessary to decide the need for a particular level of protection. To be accurate with the assessment certain parameters need to be known such as the number of lightning strikes in the area and how exposed the installation is.

The assessment for transients is much more difficult as the switching of loads is always unpredictable, and in many instances the transient is caused by a switching action outside of the building where the problem is detected.

The cost of installing and protecting the installation correctly is extremely low compared with the damage / problems caused by the transient. When fitting a surge protective device not only should the above be considered but also the amount of disruption caused by lost of corrupt computer data, down time of process / manufacturing plant and the likelihood of danger to personnel due to equipment failure.

As you can see it is extremely difficult to accurately assess risk, so the surge protective device should be given strong consideration when designing an installation which supplies any type of electronic or sensitive equipment.

The correct selection of the device and installation method is essential when deciding the level of protection required and later we will see that the choice of surge protective device will depend upon the following :

1. The type of installation (domestic / commercial etc...)
2. The type of earthing system
3. The level of protection required

How much voltage cause equipment failure?

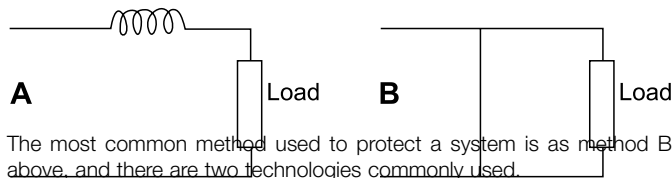
The European norm EN60-950 and the BS 7002, requires that equipment manufacturers test their products to susceptibility levels of 1.5kV, this means that if a higher voltage appears across the terminals then it would most probably be severely damaged or destroyed.

All equipments that complies with these standards ensures that no significant damage will occur if a transient over-voltage of upto 1.5kV is presented across the terminals.

How do voltage surge protectors work?

To stop large over-voltage transients appearing across equipment, we can take one of two steps.

1. Place a very high impedance in series with the equipment load
2. Place a very low impedance in parallel with the equipment load.



The most common method used to protect a system is as method B above, and there are two technologies commonly used.

### Varistor technology

The device which has been developed for this purpose is the voltage dependent resistor (VDR). This device can be manufactured to start opening when it sees a specific voltage and as most of the transient suppressors that we market use this method the following data will be based upon the principle.

Europe operates a broadly similar mains voltage range (230V rms nominal), and as such all VDR's for mains protection are designed to operate around this value, allowing for any likely variations (i.e.250V) single phase. This means that at 230V we want the suppressor to be open circuit, but at any voltage greater than 250V the device would become a short-circuit, when it enters this state it is known as its suppression mode.

Up to its maximum working voltage (250V) the VDR acts as an open circuit and above its maximum working voltage the device completely changes state and becomes a short circuit. In an ideal situation the device would have impedance and work effectively no matter how much current it passes and not break down. However in theory the VDR cannot be a perfect open circuit in one instance, and a perfect short-circuit in another; this means that there will be some leakage current through the VDR during normal operation, and some inherent resistance in the device during voltage suppression. A result of the internal resistance is that the VDR will have a maximum current limit, (before it start to heat up and melt due to  $I^2R$  watts losses). This is known as  $I_{max}$ . Probably more importantly, the product of the internal impedance and the current passing

through the VDR will give a voltage drop across the device. the p.d. is one of the most important parameters for a transient suppressor and is called the 'residual voltage'.

So for the duration of the transient over-voltage, typically 10-20ms, the device operates very quickly to a short-circuit and allows current to flow to earth. This has the effect of raising the neutral voltage to the same potential as the phase conductor, therefore there is no potential difference across the load and it is not damaged.

In practice, a surge protection device may contain more than one VDR and they will be configured in various ways between live/neutral, live/earth, and neutral/earth so as to protect all earthing options.

### Air Gap technology

This type of VSP uses a technology known as air gap. There is a physical gap between the positive and negative electrodes the gap and current the potential is large enough, it will jump across the gap and current flows. This technology should only be used in an installation where a lightning rod is present and forms apart of a building protection system. Because this technology is suitable for very large transients it leaves a high residual voltage across the installation. It is therefore essential to cascade this device with other VSP's to ensure full protection.

As with varistor technology air gap products are also configured in various ways between Live/Neutral, Live/Earth and Neutral/Earth so as to protect all earthing options.

Important parameters of voltage surge protectors. Below is a list and description of the important parameters that need to be understood when selecting a transient suppresser.

### Nominal working voltage - $U_n$

Must match the nominal voltage of the supply i.e. 230/400V

### Maximum working voltage - $U_c \text{ max}$

This is the voltage above which the device is going to start to change into the suppression mode i.e. in a shunt device, it will start to become a short-circuit.  $U_c \text{ max}$  must always be equal to or greater than nominal supply voltage.

### Nominal discharge current rating - $I_n$

This is the highest peak current at which the device will work, continue to accept subsequent transients, and still maintain its design let through voltage. For testing purposes the devices have to be able to withstand a minimum of 20 transients at  $I_n$ , the 20th must still maintain a let through voltage of  $U_p$ . All Hager surge protection devices are tested with over 80 transients at  $I_n$  and still maintain their design specification.

### Maximum discharge current rating - $I_{max}$

The maximum one-short current the device can withstand. Once it has seen this level of current it will need replacing.

### Residual voltage - $U_p$

In the previous section the let through voltage is defined as the voltage that is measured across the terminals of the device when its operating in suppression mode. The figure quoted, typically 1.5kV is measured when the device has its nominal current rating in flowing through it.

The importance of  $U_p$  is that the maximum potential difference that will be seen across the load as long as  $I_n$  is not exceeded.

# Surge protection devices

From the true characteristics curves of our transient suppressors, we can ascertain the let through voltage of the device at a specified current providing we know the magnitude of the transient. (This is highly unlikely)

On some of the devices two values for  $U_p$  will be stated, as there are two modes of operation, common mode and differential mode.

Common mode is the let through voltage  $U_p$  between live conductors and earth.

Differential mode is the let through voltage  $U_p$  between live conductors not between live conductors and earth.

The names are derived from the type of connection i.e. common mode - because earth is common or relative to the transient, and differential mode because there is no common conductor, as the transient flow between live and neutral.

Note : if protection below 1.5kV is required it is worth considering the relationship between  $U_p$  and  $I_n$ . The residual voltage will only reach 1.5kV when  $I_n$  is at its maximum. As  $I_n$  rarely reaches its maximum then  $U_p$  will usually be less than 1.5kV. also cascading devices can be considered to give a higher degree of protection.

### Principle of operation

The principle of operation, when installed in a circuit, is that the device will act as a short-circuit and divert the excess current to earth. As has been explained it is essential to reduce the voltage appearing across the installation to 1.5kV when a transient appears, any added inductance due to cables and connections will cause a rise in voltage across the load therefore reducing the protection to the equipment.

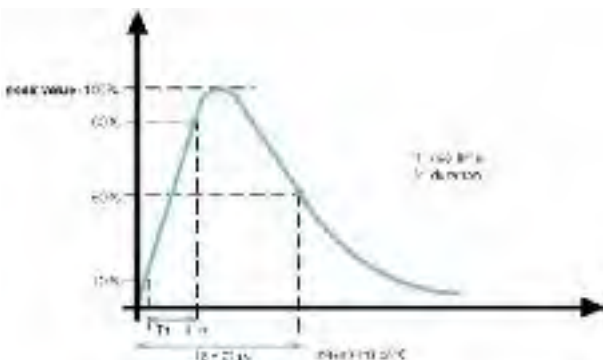
It is therefore very important that some basic rule are followed when installing the product to reduce inductance:

1. Shortest cable runs - always use the shortest cable runs to connect the surge protection device, this will reduce the back e.m.f.
2. Use the thickest possible cable - all cables used in alternating current circuits are subject to skin affect, (i.e. the resistance is greater in the centre of a conductor than around its circumference), therefore the larger the diameter cable the less the skin effect.
3. Use multi strand cables - also used to reduce skin effect.
4. Keep cables straight - this will ensure voltage drop, due to inductance is kept to a minimum

### Test waveforms

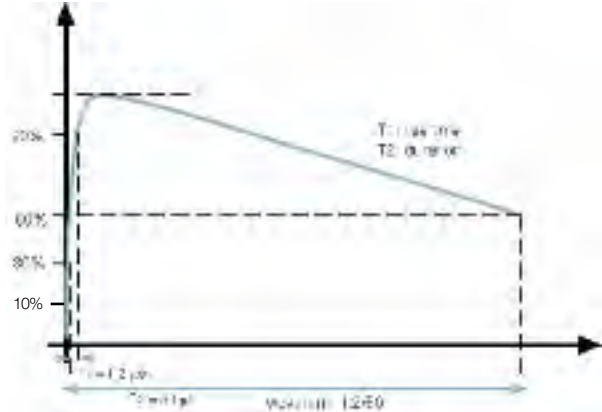
Test waveforms are used to simulate the effects of real world transients. There are three waveforms, which enable repeat, reliable testing.

8/20 : is a current waveform used for device which conduct on short-circuit. The first value is the rise time (from 10% to 90% of peak); the second value is the duration for the test transient to decrease to half of its peak value.

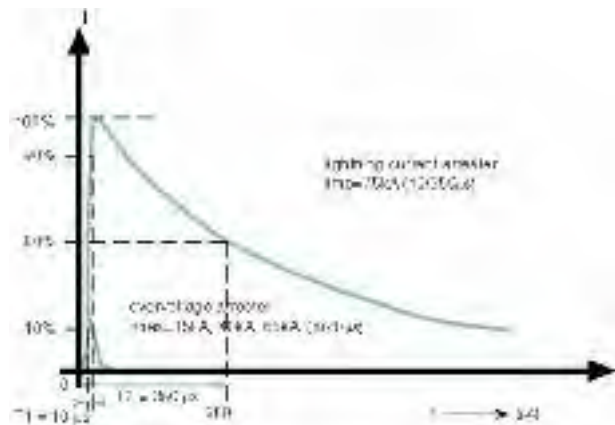


1.2/50 : a voltage waveform used for devices which are normally open circuit i.e. spark gap arresters.

A set level of potential must be reached before sparking or flashover occurs.



10/350 : is the resultant current waveform through a spark gap arrester during a direct lightning strike.



### Principle of surge protective devices

Equipment will be vulnerable if exposed to greater than 800V. Therefore our aim is to ensure than the voltage value is maintaining at 800V or less ( this is further explained under 'cascading')

SPD's work by minimising the potential difference between circuit conductors when transient over voltages appear :

They divert transient overcurrents down to earth, thus maintaining voltage levels at reasonable values. This is achieved by connecting SPD's to earth in parallel (shunt) and/or in series.

There are three different operating principles which the hager system employs to safeguard your equipment.

### Class 1

Spark gap arresters are robust devices which pass no current until the voltage across them increases to a point where flashover occurs. They can handle large amounts of energy than MOV's but leave a relatively high residual voltage of approximately 4kV. Test waveforms 1.2/50, 10/350.

### Class 2

The metal oxide varistor (MOV) is a robust and inexpensive device which can pass quite large amount of energy and leave a residual voltage of 1.2-1.5kV Test waveforms 8/20. If a class 1 devices is used in an installation, a class II device must be placed down stream from it to create a voltage drop across it.

All the class 2 medium devices have replaceable cartridges, and connection is bi-connect i.e. busbar can be used.

These devices are to be used in geographic sites that are exposed to indirect lightning and switching transients. Typically for commercial, rural and domestic application.

**Class 3**

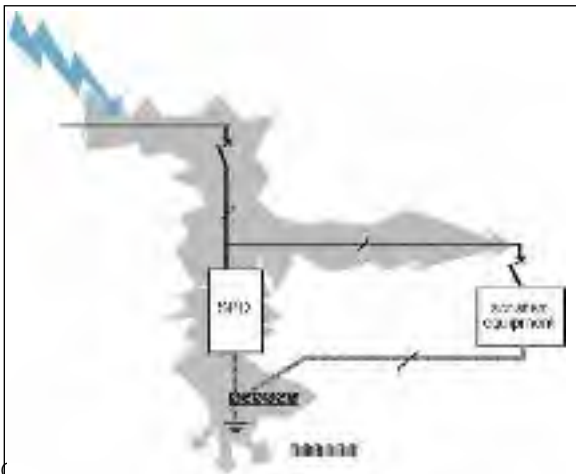
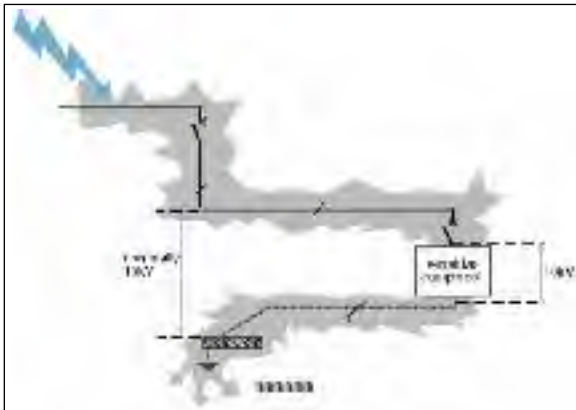
These devices actively monitor the AC since wave and have exceptionally fast response times (1ns). This limits the amount of let through current. They also eliminated high frequency interference which minimizes the risk of logic failures. Low to medium diverting capacity and excellent residual voltage (Imax upto 25kA, cascade residual voltage <800V).

These products are specifically designed for use in multiple tenancies.

high for our sensitive equipment so that the next step is to limit this voltage to 800V. This is achieved with the use class 2 fine device which have a lower current carrying capacity, but will limit the voltage to 800V.

Cascading increases the current diverting capacity of our SPD system whilst maintaining a low voltage to ensure the best protection for valuable equipment.

Main device	Imax	Residual voltage	Cascade	Final Residual voltage Up (L-PE)
SPD X 15D	15kA	1.5kV	SPN203N	800V
SPD X 40D	40kA	1.5kV	SPN203N	800V
SPN X 65R	65kA	1.5kV	SPN203N	800V



Cascading is the term used to describe the method of combining several levels of SPD's in the one installation.

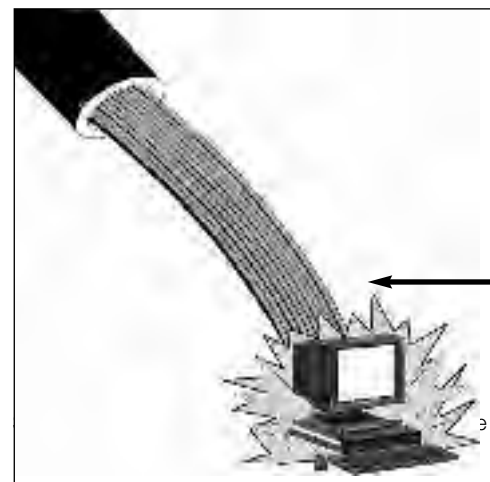
This takes advantage of the best features of each devices to make an installation highly secure. In a perfect would do the job. This theoretical device would have infinite impedance at low voltage levels, zero impedance at a set voltage and be capable of handling the biggest, direct strike, of course, no device can do this.

As a guideline, it is generally accepted that few electronic devices can withstand much more than twice the nominal voltage rating.

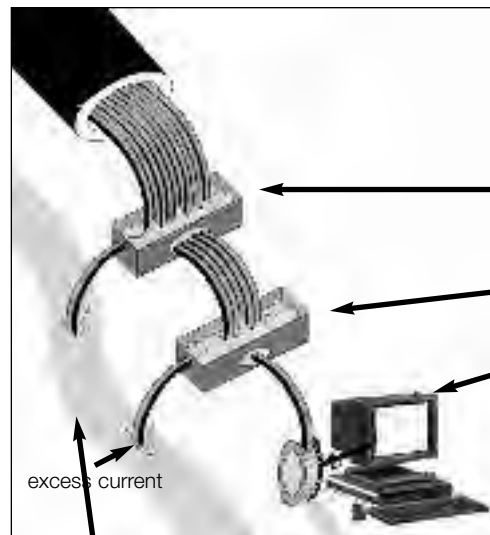
240V is an RMS value  $240 \times 1.414 = 339V$  peak  
 Plus 10% supply variations ~ 400V  
 Devices will be vulnerable if exposed to greater than 800V.

Therefore our aim is to ensure that the voltage value is maintained at 800V or less.

Hager recommends using a high current carrying capacity devices to divert the bulk of the transient overvoltage. In the case of the class 1 & 2 installation this would be either the spark gap arrester or a high current capacity MOV. The spark gap arrester will divert a surge upto 50kA leaving a residual voltage of 4kV. The MOV's will divert a surge upto 65kA leaving a residual voltage of 1.2-1.5kV. These voltage levels are still too



transient overvoltage can easily destroy sensitive equipment.



main protection  
 fine protection  
 normal current flow allowing correct operation.  
 divert current.

## Application and installation

To successfully protect a system using a surge protector, it is important that certain parameters are established and basic rules are followed

The key parameters are :

- shortest cable runs
- use the thickest possible cable
- use multi-strand cable
- keep the cables as straight as possible

It is also essential that the type of earthing system is established along with the number of phases to be protected so that the correct products for the system can be advised.

As you have previously seen lightning can affect the incoming conductors in many different ways. As a general consideration the surge arrester must protect between phase(s) and earth(s), neutral and earth and phase(s) and neutral.

If this is considered along with the earthing system, then the correct products can be suggested.

## Parallel connections

Where connection between the main circuit and the surge protection device exceeds 1m (i.e. 50cm for each conductor), it is essential that parallel conductors are used or cascading is considered. If parallel conductors are used then they must be bound together. If this is not done then the voltage rise due to the back emf induced in the connecting cables, will appear across the load.

All parallel conductors should be bound in groups with respect to their phase i.e. if  $6 \times 2.5 \text{mm}^2$  are required for the red, yellow, and blue phases plus neutrals, then one of each of the 3 phases and neutral conductor should be bound together.

## Insulation testing

VSP's must be disconnected when performing insulation tests.

## SPD standards (SPD classes)

The following are the documentations/drafts for further reference on SPD's :

IEC 61643-11 : (class 1, class 2) :

Low voltage surge protection devices - part 11:

Surge protection devices connected to low voltage power

Distribution systems - performance requirements and testing methods.

IEC 61643-12 : (class 1, class 2) :

Low voltage surge protection devices - part 12 :

Surge protective devices connected to low voltage power distribution systems - selection and application principles

IEC 61643-21 : low voltage surge protection devices - part 21 :

Surge protective devices connected to telecommunications and signaling networks - performance requirements and testing methods

IEC 61643-22 : low voltage surge protection devices - part 22 :

Surge protective devices connected to telecommunications and signaling networks - selection and application principles

In addition to above, the following national standards are followed :

France - NFC 61740/95 (class 1, class 2) : low voltage surge protection devices

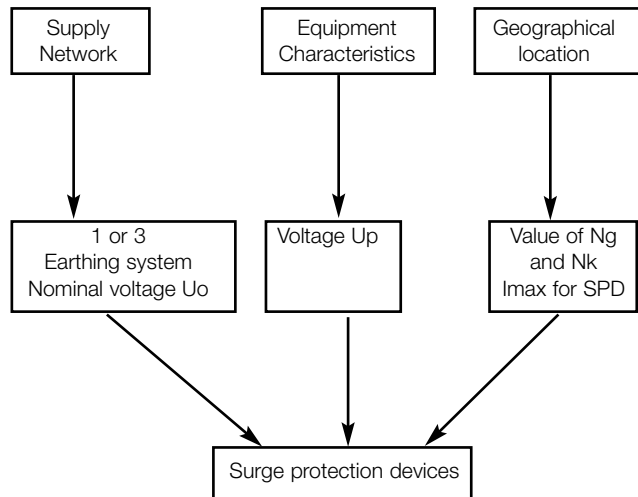
Germany : VDE (class 1 - VDE B), (Class 2 - VDE C) : low voltage surge protection devices

Application of SPD's in low voltage power distribution systems.

It is important to carry out risk assessment as mentioned above to determine the need for SPD protection. Some information necessary for correct risk assessment is as follows :

- what is the type of equipment?
- cost of the protection devices?
- what is the risk of downtime?
- is the protected equipment insured?
- is the region exposed to lightning?
- is there a lightning rod nearby the installation?

The following are the selection criteria for SPD's:



Supply network :

- what is the earthing system (TT, TN-S, TN-C, IT etc...)?
- the network characteristics (1, 2 or 3 phases, short-circuit current at point of installation)?
- The  $U_n$  (nominal voltage) of the network

Equipment characteristics:

- the peak voltage  $U_p$  the equipment to be protected can withstand

Geographical location:

Information on keraunic level (Nk) can be obtained from the local meteorological department.

The number of lightning flashes per square kilometer  $N_g$  can be estimated as  $N_k/10$  or 15.

The value of  $N_g$  corresponds to a maximum probable current  $I_{max}$  which may flow through the lightning arrester.

Choose SPD with the following parameters

$I_{max}$  : 15kA for  $N_g < 1.5$

40kA for  $N_g > 1.5$

$U_c$  : 1.1  $U_o$ , between L & N or between L & PE  
(for TT & TN-S systems)

:  $U_o$  between N & PE  
(for TT & TN-S systems)

$U_o$  : 240V

$U_p$  : Use  $U_p$  as low as possible to match equipment to be protected. If not possible use Class 2 main protection cascaded with Class 2 fine protection.

For areas exposed to lightning or installation with lightning rod :

- use class 1 products for main entry protection
- use decoupling elements if distance between the class 2 main protection and the class 1 device is less than 10m.



Installation of SPD :

Recommended modes of protection in an installation is dependent on the earthing system of the installation. The tables below shows the possible modes of protection for various LV Systems

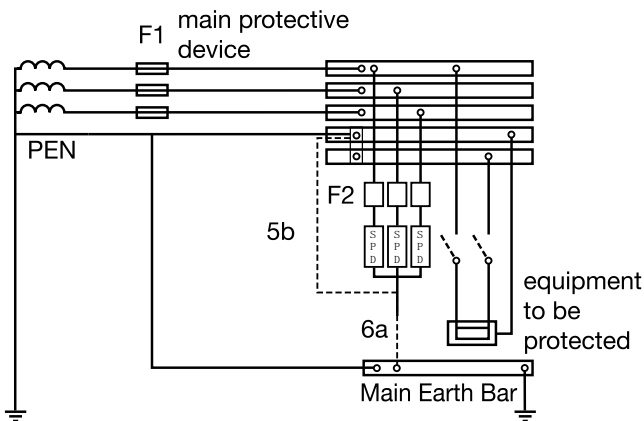
SPD Between	TT	TN-C	TN-S	IT
Line and neutral	x		x	x*
Line and PE	x		x	x
Line and PEN		x		
Neutral and PE	x		x	x*
Line and line	x	x	x	x

\* when the neutral is distributed

Installation rules :

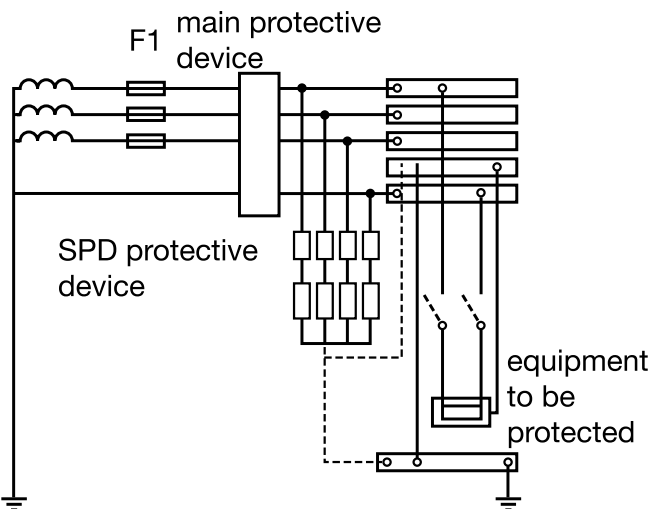
- Ensure that all loads and SPD are connected to the system Earth
- All extraneous conductive parts are bonded with shortest possible length of conductor
- The SPD should be installed at the point of entry (power supply)
- The lead lengths connecting the SPD should be as short as possible
- A protective device as per manufacturers recommendation must be installed upstream of SPD. If possible, this should be of disconnecting type to allow for easy replacement of cartridges
- Cable runs after SPD should be installed away from the cable runs into SPD to avoid pollution due to induction
- Limit the earth loop
- Ensure proper co-ordination in case of cascading

TN-C system



SPD'S in TN - systems

TT System



## Protection against over-voltage

The protection against over voltage covering the whole network is carried out with a concept of three safety levels. The necessary measures for the realization of the protection of the installations and the devices are as per the following levels :

### Level 1 :

Surge protective device for protection of the main supply of the network (main protection) according to the standard IEC 61643-11, this is Type 1 Protection.

### Level 2 :

Protection against over-voltages, installed in the low voltage panels/enclosures (medium protection) according to the standard IEC61643-11. This is type 2 Protection.

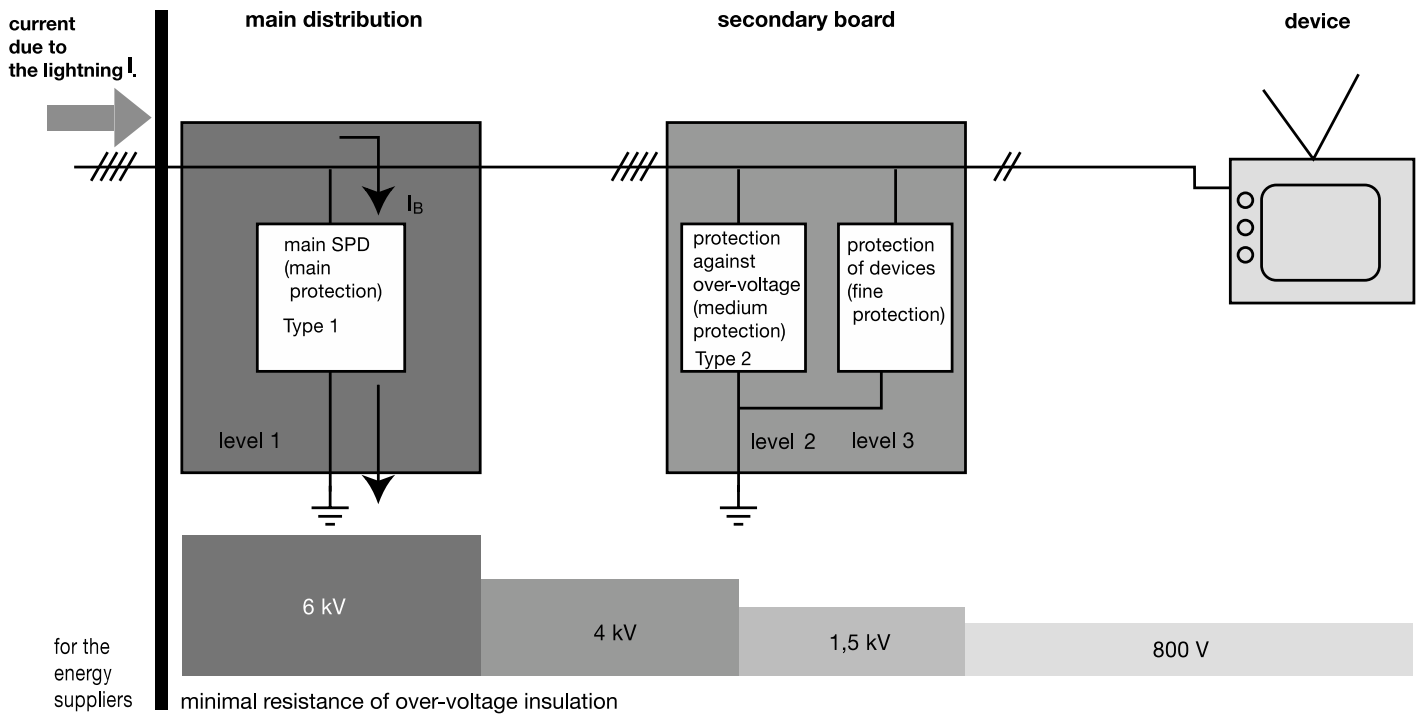
### Level 3 :

Protection against over-voltages, close to the loads/devices (fine protection). This is generally integrated in its supply or to the distribution of low voltage.

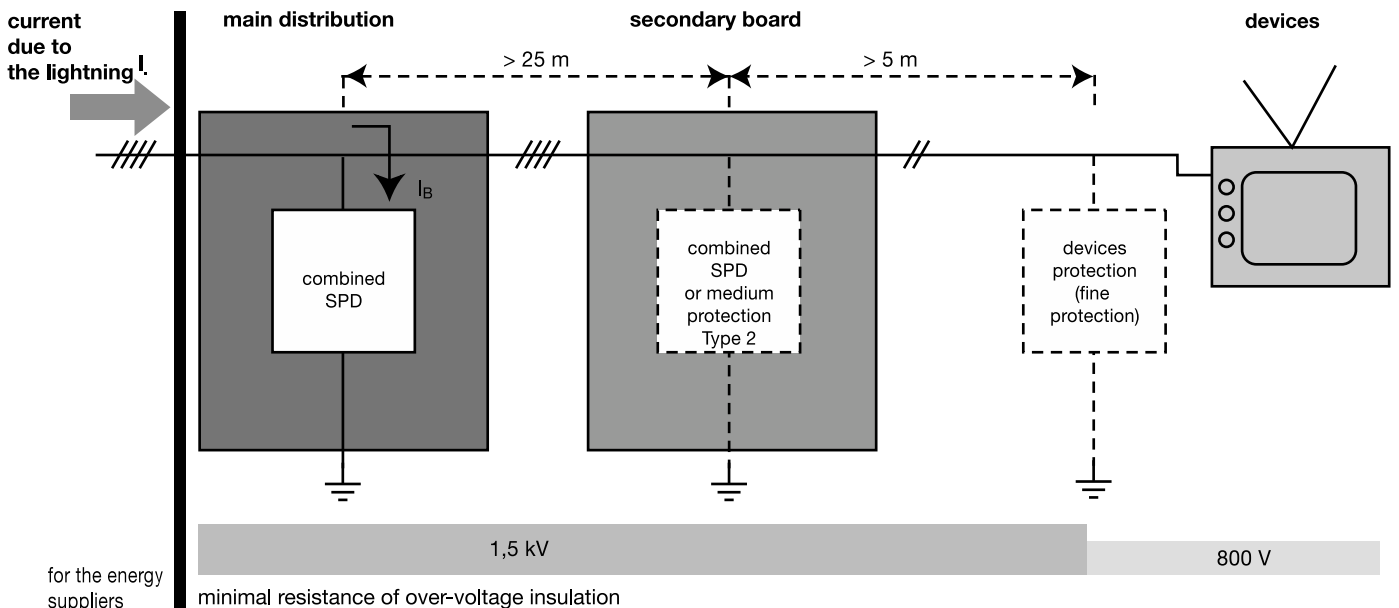
These 3 levels are mainly characterized by the current diverting capacity of SPDs (for example of the lightning) and by their limiting voltage across the load (residual voltage). This residual voltage must be less than Impulse withstand voltage of the parts of the installation to be protected. The levels must naturally complement each other, which implies that the surge protective devices must be uncoupled from/to each other. This decoupling causes the protection of devices of weak protection by a stronger surge protective device. The lines between the various levels act as decoupling inductivity.

Decoupling can also be carried out by inserted induction coils.

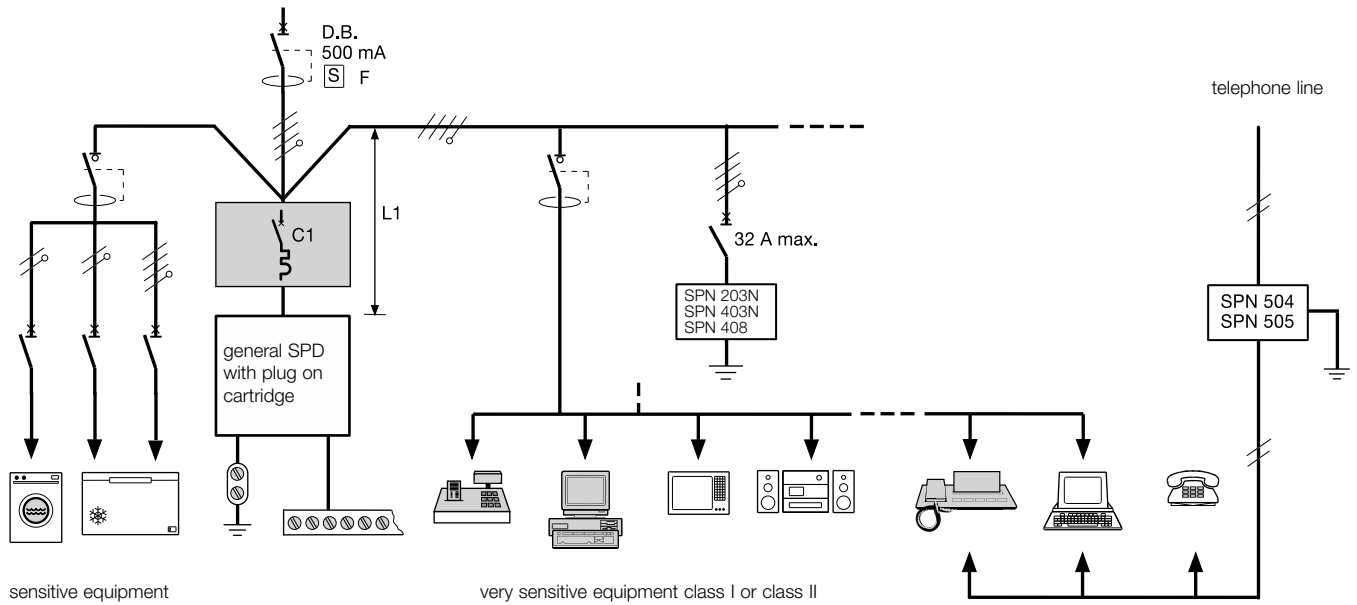
## Installation of the customer



## With combined surge protective device



Installation example



Some installation rules for SPDs

- General SPD protects the whole installation by diverting the lightning current to the earth. Fitted in directly downstream the type S differential function or delayed for system TT and TN-S.
- The cable length L1 must be reduced to less than 0.5m.
- The resistance of the earth connection must be weakest possible (approx. 10 Ω) and only one is requested by installation.
- SPDs SPN 203N and SPN 403N protect very sensitive devices of class I and class II.
- A cable length of at least 1m is requested between general and secondary SPD to ensure a minimum impedance in order to avoid the simultaneous bringing into conduction of both SPDs.
- SPDs SPN 504 and SPN 505 protect analog or digital telephone lines from very sensitive receivers.

Distressing of SPD

Successive discharging of current due to lightning reduces progressively the performance of SPD's, with the consequence of a possible short circuit for the installation.

For this reason, all our SPDs are fitted with an automatic thermic and dynamic disconnection device

LED on front indicates the good working of the device :

- for normal version : green = OK red = replacement
- for version with reserve indicator : green = OK yellow = caution red = replacement
- for version with electric LED for SPDs for fine protection green = OK LED off = replacement


Choice of disconnection device

The chosen device is an MCB

Warranty

Warranty can not be applied for SPDs as their life expectancy depends on the perturbation level absorbed to protect the electric installation.

Selection chart for disconnection device according to the SPD type

general SPD	 C1 (1)
SPN 165R SPN 265R SPN 465R	32 A curve C
SPD 140D SPN 240R - SPD 240D SPN 440R - SPD 440D	32 A curve C
SPN 215R SPN 415D SPN 115D	32 A curve C

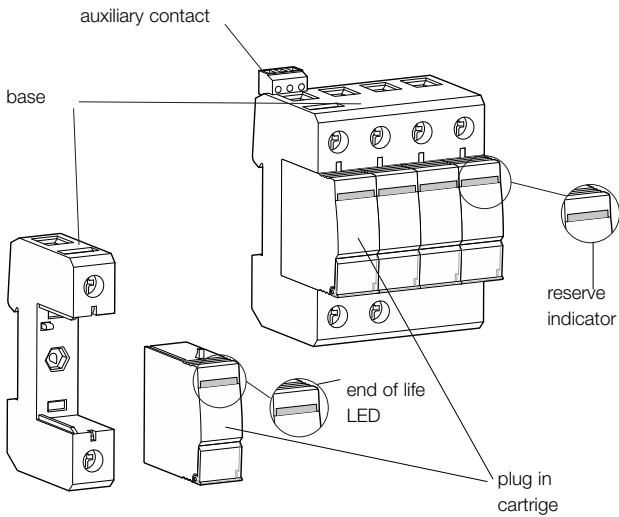
(1) The breaking capacity of MCB must be chosen according to the short-circuit intensity at the head of the installation and according to the number of poles (1,2 or 4)

# Surge protection devices

SPDs with plug in cartridge

Presentation of 1 pole and multi pole SPDs :  
available in two versions :

- base with an auxiliary contact and cartridges with reserve indicator
- base without auxiliary contact and cartridges with end of life LED

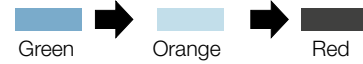


Keying system for fitting of neutral and phase cartridge

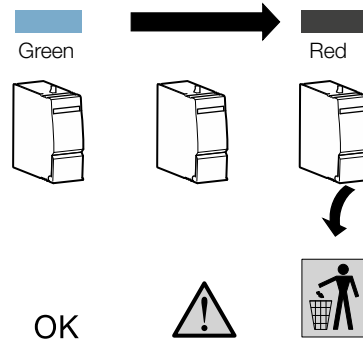
Neutral plug in cartridges cannot be fitted in slots for phase cartridges and vice versa

On the front of the cartridge, a mechanical LED indicates the state of SPD

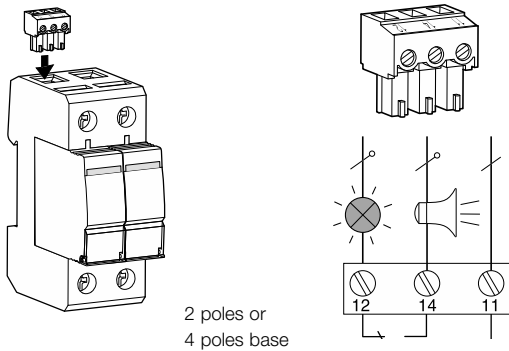
with reserve indicator



end of life LED



Auxiliary contact for signalling and remote monitoring

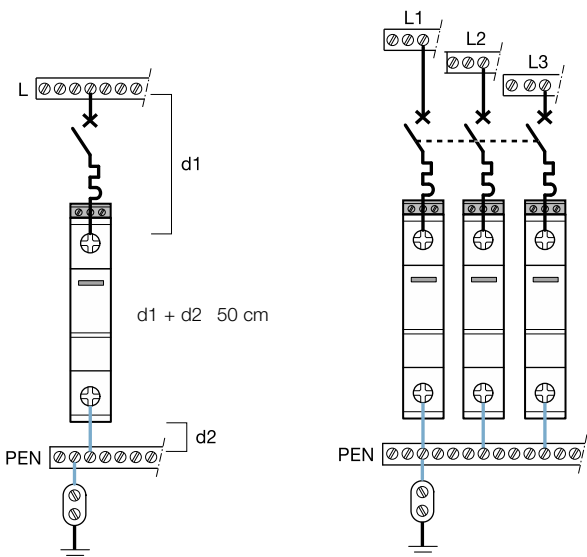


auxiliary contact connection capacity	mini maxi	0.5 mm <sup>2</sup> 1.5 mm <sup>2</sup>
remote signalling	voltage nominal current	230 V~ 1 A    250 V~ 0,1 A

Connection diagrams

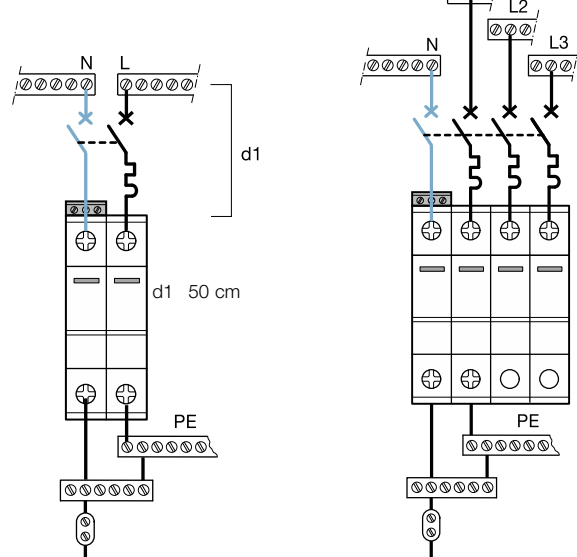
Single pole SPDs : SPN1xx - SPD1xx  
protection only in common mode

IT / TN-C



Multi pole SPDs : SPN2xx - SPN4xx - SPD2xx - SPD4xx  
protection is assured in both common and differential modes  
without adding devices

TT / TN-S

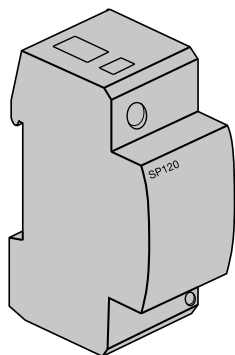


Surge protective devices free from arc blower requirement of protection Type 1

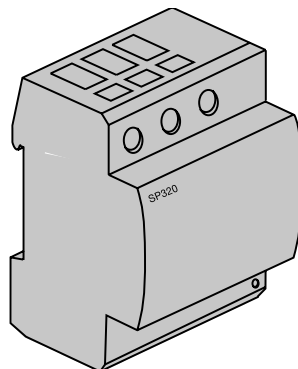
Our surge protective devices Type 1 are able to control strong impulse currents according to IEC 61024-1 without melting down. These surge protective devices correspond to standards VDE and to installation guidelines of the safety devices against the lightning and the over voltages. Surge protective devices SP120 and SP320 do not need separate

protection when the upstream fuses do not exceed 160A. If these fuses are larger, it is necessary to protect the surge protective devices with fuses 160A.

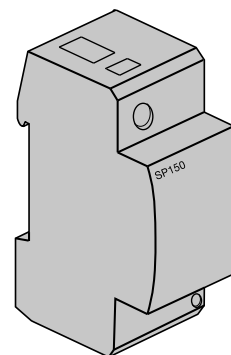
Surge protective device SP120



Surge protective device SP320



Surge protective device SP150



references	SP120	SP320	SP150 (N-PE)
standards	EN 60099/1 IEC 61643-11		
construction	modular device		
number of modules	2	4	2
max. continuous operating voltage U <sub>c</sub>	255 V / 50 Hz		
follow current interrupting rating I <sub>f</sub>	3 kA		100 A
lightning test current I <sub>imp</sub> (10/350 μs)	50 kA (1 pole)	100 kA (3 poles)	50 kA (1 pole)
voltage protection level, U <sub>p</sub>	≤ 4 kV		
maximum rating of overcurrent protection (fuse)	160 A gL/gG	-	
short-circuit withstand capacity with backup fuse	50 kA / 50 Hz	-	
protection degree	IP 20		
environment :			
storage temperature	-40°C to +80°C		
working temperature	-40°C to +80°C		
insulation resistance	≥ 10 <sup>3</sup> MΩ		
connection	rigid 10 to 50 mm <sup>2</sup> flexible 10 to 35 mm <sup>2</sup>		
reponse time	≤ 100 ns		

## Technical characteristics of single pole SPDs

references	SPN 165R	SPD 140D / SPN 140R	SPD 115D
installation exposure level (risk)	very high	medium	low
installation of SPDs	in parallel	in parallel	in parallel
nominal voltage Un frequency	230 V~ 50/60 Hz	230 V~ 50/60 Hz	230 V~ 50/60 Hz
Max. continuous operating voltage Uc	275 V	275 V	275 V
voltage protection level Up	1.5 kV	1.2 kV	1.0 kV
discharge current capacity 8/20 μs wave	nominal current In maximal current I <sub>max</sub> 20 kA 65 kA	15 kA 40 kA	5 kA 15 kA
degree of protection	IP 20	IP 20	IP 20
Conditional short-circuit current I <sub>cc</sub> (with fuse or 'C curve' MCB)	20 kA - 32 A	20 kA - 32 A	10 kA - 32 A
temperature	working storage -20 to + 60°C -40 to + 70°C	-20 to + 60°C -40 to + 70°C	-20 to + 60°C -40 to + 70°C
end of life indicator	-	yes	yes
reserve indicator + auxiliary contact	yes	SPN 140R	-
domestic building	collective/individual industrial/commercial yes yes	yes yes	yes yes
earthing systems	IT, TN-C	IT, TN-C	IT, TN-C
max. connection capacity (Ph, N, E)	flexible rigid 25 mm <sup>2</sup> 35 mm <sup>2</sup>	25 mm <sup>2</sup> 35 mm <sup>2</sup>	25 mm <sup>2</sup> 35 mm <sup>2</sup>
screw head	PZ2	PZ2	PZ2

## Technical characteristics of multipole SPDs

references	SPN 265R-SPN 465R	SPN 240R, SPN 440R SPD 240D, SPD 440D	SPD 215D, SPD 415D
installation exposure level (risk)	very high	medium	low
installation of SPDs	in parallel	in parallel	in parallel
nominal voltage Un frequency	230/400 V~ 50/60 Hz	230/400 V~ 50/60 Hz	230/400 V~ 50/60 Hz
Max. continuous operating voltage Uc	between Phase / Neutral between Neutre / PE 255 V 275 V	255 V 275 V	255 V 275 V
protection mode	common differential yes yes	yes yes	yes yes
voltage protection level Up	1.5 kV	1.2 kV	1.0 kV
discharge current capacity 8/20 μs wave	nominal current In maximum current I <sub>max</sub> 20 kA 65 kA	15 kA 40 kA	5 kA 15 kA
degree of protection	IP 20		
Conditional short-circuit current I <sub>cc</sub> (with fuse or 'C curve' MCB)	20 kA - 32 A	20 kA - 32 A	10 kA - 32 A
working temperature	-40°C to + 60°C		
end of life indicator	-	SPN 240D - SPN 440D	SPN 215D - SPN 415D
reserve indicator + auxiliary contact	SPN 265R - SPN 465R	SPN 240R - SPN 440R	-
domestic building	collective / individual industrial / commercial yes yes		
earthing systems	TT TN - S	TT TN - S	TT TN - S
connection capacity (Ph, N, E)	flexible rigid 25 mm <sup>2</sup> 35 mm <sup>2</sup>		
screw head	PZ2		

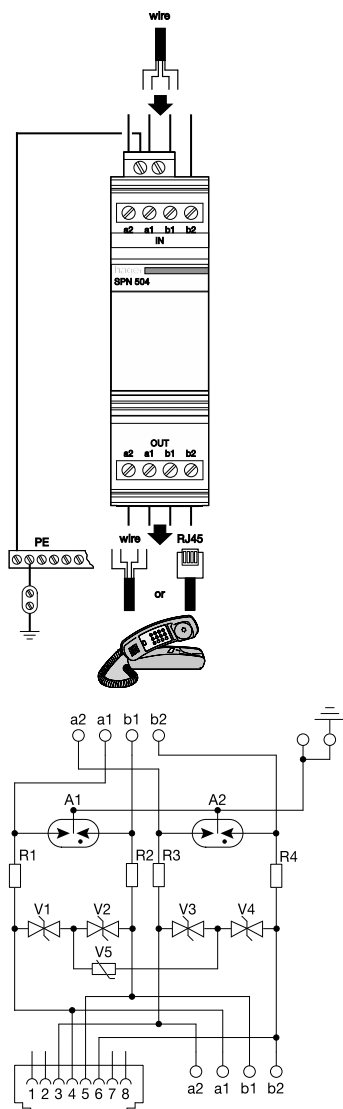


## Technical characteristics of secondary SPDs for telephone line

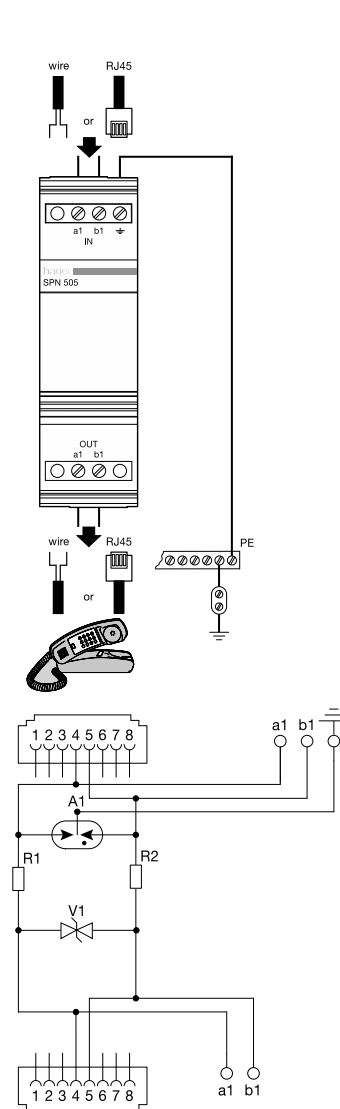
references		SPN 504	SPN 505
surge protective device		digital line (Numeris, RNIS, ISDN...)	analog line
installation of SPDs		in series	in series
ingress protection		IP 10	IP 10
tension nominale Un		5 V / 40 V	130 V
maximum continuous operating voltage Uc		7.5 V / 60 V	170 V
voltage protection level Up		600 V	600 V
voltage protection level	common mode differential mode	yes yes	yes yes
series impedance		1.0	4.7
discharge current wave	In (total) In (line)	10 kA 5 kA	5 kA / 10 kA (RJ 45 / screw) 2.5 / 5 kA (RJ 45 / screw)
working temperature		-40°C + 60°C	-40°C + 60°C
connection	in out	screw screw / RJ 45	screw / RJ 45 screw / RJ 45
connection capacity (Ph, N, T)	flexible min./max. rigid min./max.	0.08 mm <sup>2</sup> 2.5 mm <sup>2</sup>	0.08 mm <sup>2</sup> 2.5 mm <sup>2</sup>
applications		digital line, ISDN, RNIS	analog line

### Electrical connection

#### SPN 504



#### SPN 505





**Description**

Protection and control of circuits against overloads and short circuits.

**Technical data**

- sizes : L38, L51
- poles : 1P, 2P
- voltage rating : 500 V AC, 690V AC
- current rating : 32 to 50A
- frequency : 50/60Hz
- climate sealed : T2
- will accept accessories
- short circuit resistance with fuse link 10,3 x 38 mm :  
80kA – 690V~ /  
120kA – 500 V~

- short circuit resistance with fuse link 14x51 mm : 100kA – 690V

**Connection capacity**

- L38 (10x38) :  
rigid conductors : 25mm<sup>2</sup>  
flexible conductors : 16mm<sup>2</sup>
- L51 (14x51) :  
rigid conductors : 35mm<sup>2</sup>  
flexible conductors : 25mm<sup>2</sup>

Comply with IEC 60 269-2, IEC 60 269-2-1 and IEC 60 947-3



LS602

Description	Characteristics	Width in 17.5 mm	Pack qty.	Cat. Ref.	
<b>L38 fuse carriers</b> 690V - 32A compatible with accessories	two pole		2	6	<b>LS502</b>
<b>L51 fuse carriers</b> 690V - 50A	- compatible with accessories : single pole two pole		1.5 3	1 1	<b>LS601</b> <b>LS602</b>



# HRC fuse carriers



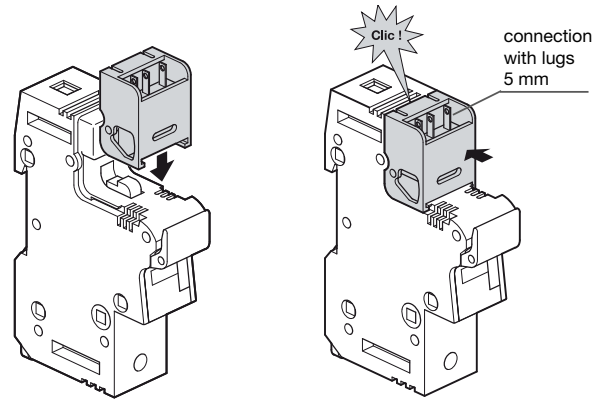
## Withstand current correction table

**A** - depending on ambient temperature,  
**B** - depending on the proximity heating effect of the fuse carriers themselves when fully loaded and mounted together in groups.

type	L38	L51
fuse size	10 x 38	14 x 51
In for Un 400 V	32 A	50 A
In for Un 500 V	20 A	40 A
<b>A</b> 20°	1	1
30°	0,95	0,95
40°	0,90	0,90
50°	0,80	0,80
<b>B</b> 1 - 3 Ph	1	1
4 - 6 Ph	0,8	0,8
7 - 9 Ph	0,7	0,7
> 10 Ph	0,6	0,6

## Microswitch

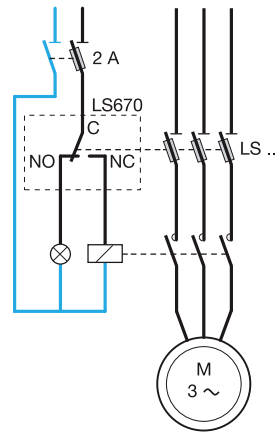
mounting on L51, single pole or multi pole



## Microswitches functions

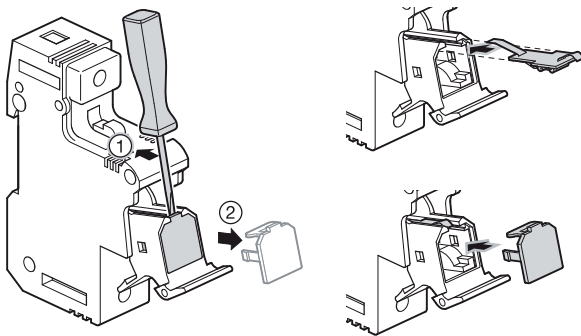
- Fuse melting : a fuse-carrier containing a fuse-link with a striker that sends out a signal when the fuse element melts
- Pre-cut : when the fuse-carrier opens
- Presence : sends a signal when the fuse-carrier is closed with no fuse in it

## Application



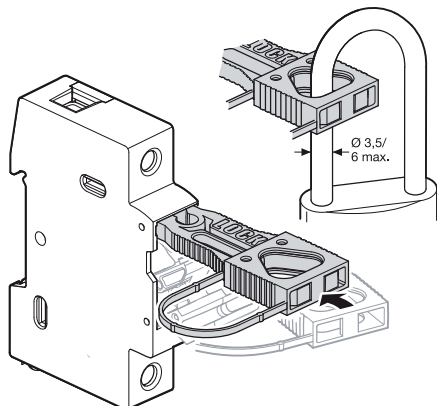
## Signal light

Mounting on L 51

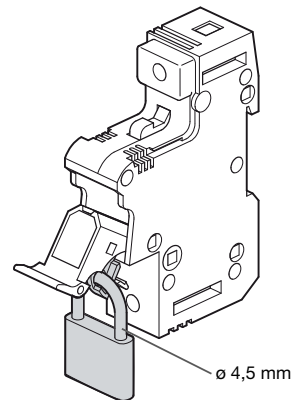


## Padlocking and sealing

LS51 in "open" position



Padlocking and sealing of the others fuse carriers in "open" position





**Description**

Cylindrical gG fuse-links are intended for industrial applications.  
gG protection for general purpose applications against overload and short-circuits.

**Sizes :**

L 38 : 10 x 38  
L 51: 14 x 51

Comply with IEC 60 269-1 and 60 269-2

	Description	Voltage	In	Catalogue No.		
 LF302G	<b>Cartridge fuses</b> type gG 10 x 38 mm breaking capacity: 120kA	500 V AC	0.5A	<b>LF300G</b>		
			1A	<b>LF301G</b>		
			2A	<b>LF302G</b>		
			4A	<b>LF304G</b>		
			6A	<b>LF306G</b>		
			8A	<b>LF308G</b>		
			10A	<b>LF310G</b>		
			12A	<b>LF312G</b>		
			16A	<b>LF316G</b>		
			20A	<b>LF320G</b>		
			25A	<b>LF325G</b>		
				400 V AC	32A	<b>LF332G</b>
			 LF425G	<b>Cartridge fuses</b> type gG 14 x 51 mm breaking capacity: 2 to 25A : 80kA 32 to 50A : 120kA	690 V AC	2A
4A	<b>LF404G</b>					
6A	<b>LF406G</b>					
8A	<b>LF408G</b>					
10A	<b>LF410G</b>					
12A	<b>LF412G</b>					
16A	<b>LF416G</b>					
20A	<b>LF420G</b>					
25A	<b>LF425G</b>					
	500 V AC	32A				<b>LF432G</b>
		40A				<b>LF440G</b>
		45A				<b>LF445G</b>
	400 V AC	50A				<b>LF450G</b>



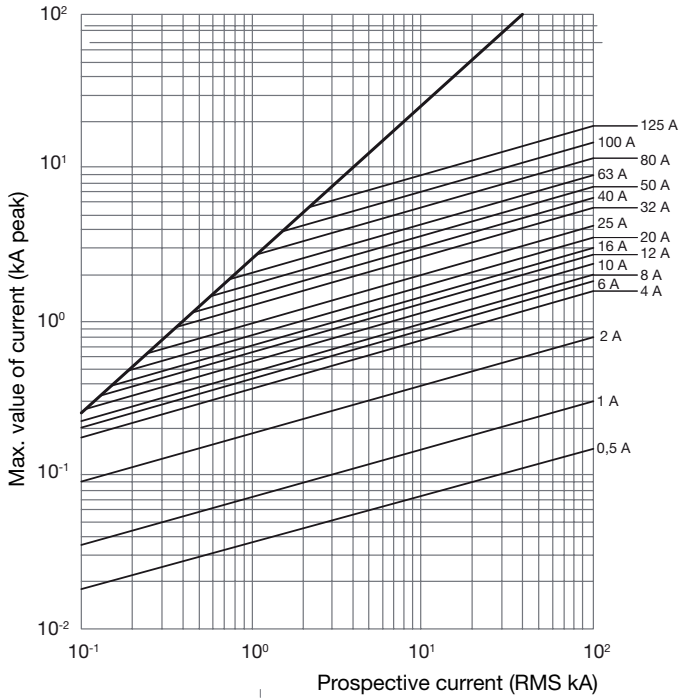
# HRC fuse carriers

## gG type

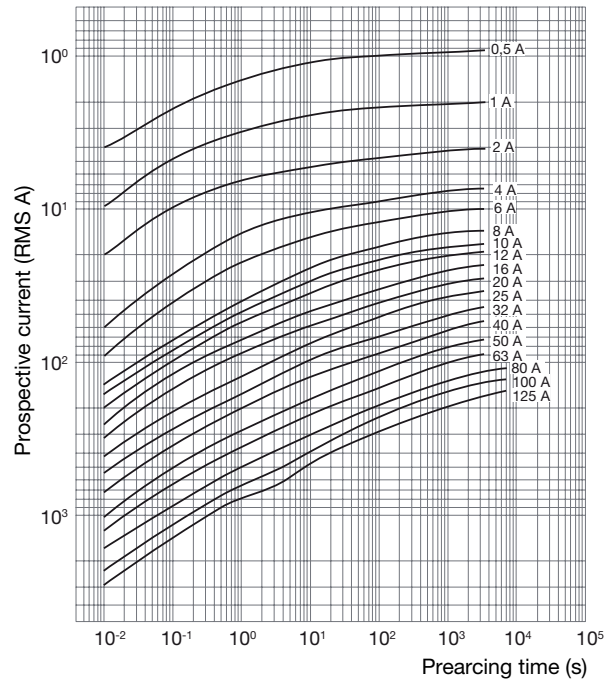


### Cartridge fuses - gG type

Cut-off characteristics current limitation



Time-current characteristics



Energy let through chart (A<sup>2</sup> s)

In	prearcing time I2t	I2t - 400 V	I2t - 500 V	I2t - 690 V
0,5	4,0	8,6	10,4	15,0
1	6,5	13,2	15,7	22,0
2	7,0	14,6	17,6	25,0
4	45	90	108	150
6	70	140	166	230
8	80	158	188	260
10	120	248	297	420
12	180	362	431	600
16	270	536	636	880
20	500	981	1162	1600
25	800	1688	2034	2900
32	1200	2412	2871	4000
40	2500	4907	5808	8000
45	2870	5603	6623	9100
50	5100	11262	13728	20000
63	7900	16451	19762	28000
80	16000	37242	46000	-
100	28000	68072	85000	-
125	40000	120000	-	-

Rated power dissipation (W)

In (A)	size 10 x 38	size 14 x 51	size 22 x 58
0,5	1,43	-	-
1	2,77	3,90	-
2	0,60	0,90	1,00
4	0,70	1,00	1,10
6	0,85	1,15	1,30
8	0,75	1,00	1,10
10	1,00	1,30	1,50
12	1,30	1,70	1,80
16	1,60	2,00	2,10
20	2,00	2,50	2,70
25	2,60	3,30	3,30
32	2,90	3,50	3,50
40	-	4,75	4,00
45	-	4,80	-
50	-	4,80	5,50
63	-	-	6,90
80	-	-	7,80
100	-	-	9,00
125	-	-	11,4



# vector IP65 enclosures

vector range of weather proof enclosures answer the needs of electrical distribution in dust and moisture prone environment. Equipped with special door gasket, they maintain high ingress protection (IP65) level of enclosure to protect modular devices mounted inside.



# The vector range for outdoor use

the outdoor vector range has been developed to endure bad weather for a long period of time. The mechanical properties of the material used in their manufacture make it possible to install them in most locations. Designed to resist bad weather, humidity, dust, chemical aggressions and ultraviolet radiation exposure.



## Advantages for you:

- Space from 2 to 54 modules
- Ease of installation :
  - DIN rail adjustable in depth
  - Accessories for installing enclosure in specific outdoor locations like for example masts
- The characteristics and aspects of the material remain unchanged over the years and perfectly resist to chemical attacks and ultra violet exposure
- Accessories to guarantee optimal IP65 protection grade

## Technical data:

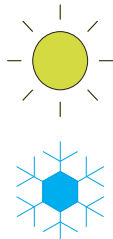
- Enclosure made of high grade insulating material, selfextinguishing, class II IP65 VE103-110, IK07 / VE112 – 318, IK08
- Glow wire test 850°C acc. IEC 695.2.1
- Material : polycarbonate, excellent resistance to a large variety of chemical substances (saline, acid, hydrocarbons, alcohols...) and ultraviolet radiation.
- Compliant with the REACH and RoHS recommendations
- Compliance to EN60439-3 standard – CE certificate
- AC / DC applications

# Expert tips



## 01

Enclosures for outdoor applications. Resistance to ultraviolet radiation, immersion in water in accordance with UL746C



## 02

Excellent behavior in tough environments. Usage in a wide scope of temperatures. Dimensional stability up to 130°C. Resistance to frost up to -25°C (IK07 acc. to EN 60439 below -5°C)



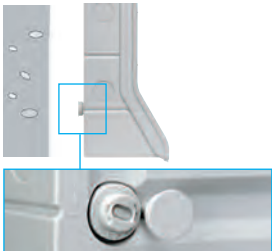
## 03

No condensation inside the enclosure. Special ventilated cable glands to drain water from condensation. Guarantees an IP65 protection grade



## 04

Quick and easy installation in difficult places. Fixing brackets for wall mounting and plates for fitting on masts for example in photovoltaic installations



## 05

Covered height adjustments  
Provided in each enclosure to protect the fixing screws. Adjustable in depth to correct the irregularities on a wall (up to 3mm)



## 06

Adjustable DIN rails to fit products of different depth, provided with quick fixing chassis



## 07

Gone through rigorous test Glow wire test, temperature test at -25°C, IK impact test, dust proof, "Yellow card" ultraviolet radiation resistance, chemical resistance...  
Product environment profile.



## 08

Compliance to environmental recommendations REACH and RoHS. No use of substances listed as hazardous by the ECHA (European Chemical Agency)



# vector enclosures IP65 outdoor

## Surface mounting enclosures with transparent doors

1 to 4 rows from 2 to 48  
1 to 3 rows from 18 to 54

Adjustable DIN rail for shoulder measurement 47 and 63 mm,  
transparent hinged cover (2 to 10) or door (12 to 54),  
2 lateral knock outs for cable entry or coupling pieces.  
Premarked knock outs for bushes or cable glands M20, M25, M32 and M40 on  
PN version;  
polycarbonate UV resistant outdoor use UL746C,  
colour : light grey RAL 7035  
for equipment up to 63A isolation voltage 1000V DC

**IP65** IK07 < 12  
IK08 > 12  
class II




IEC 60 439-3

Installation: -25°C to +100°C



IEC 60 695-2-10 and 60  
695-2-11: 850°C

**Cat. ref.  
with premarked  
knock-outs**

Designation		Cat. Ref. with premarked knock-outs
		
<b>Enclosures 3 to 10 modules</b>		
<b>1 row, 2 + 1</b>	w. 111 x h. 175 x d. 93 mm	<b>VE103PN</b>
<b>1 row, 4 + 2</b>	w. 165 x h. 190 x d. 113 mm	<b>VE106PN</b>
<b>1 row, 8 + 2</b>	w. 237 x h. 210 x d. 114 mm	<b>VE110PN</b>
		
<b>Enclosures 12 modules</b>		
<b>1 row, 12</b>	w. 310 x h. 302 x d. 151 mm	<b>VE112PN</b>
<b>2 row, 24</b>	w. 310 x h. 427 x d. 151 mm	<b>VE212PN</b>
<b>3 row, 36</b>	w. 310 x h. 552 x d. 151 mm	<b>VE312PN</b>
<b>4 row, 48</b>	w. 310 x h. 677 x d. 151 mm	<b>VE412PN</b>
		
<b>Enclosures 18 modules</b>		
<b>1 row, 18</b>	w. 418 x h. 302 x d. 151 mm	<b>VE118PN</b>
<b>2 row, 36</b>	w. 418 x h. 452 x d. 151 mm	<b>VE218PN</b>
<b>3 row, 54</b>	w. 418 x h. 602 x d. 151 mm	<b>VE318PN</b>

Designation		Cat. Ref.
<b>Cable glands</b>	M16 M20 M25 M32 M40	<b>VZ016M</b> <b>VZ020M</b> <b>VZ025M</b> <b>VZ032M</b> <b>VZ040M</b>
<b>Ventilated cable glands</b>	M20 M25 M32	<b>VZ020D</b> <b>VZ025D</b> <b>VZ032D</b>
<b>Photovoltaic DIN rail terminal</b>	10mm <sup>2</sup> 1000V AC/DC	<b>KNX10LH</b>
<b>Closing plate</b>	for KXN10LH	<b>KW10LH</b>







## Photovoltaic fuse carriers, SPD and switch disconnectors

### Photovoltaic fuse carriers and fuses

DC protection of photovoltaic strings against overload and short-circuits

#### Technical data

- sizes : L38 (10x38)
- class of operation : gPV (PV fuse)
- poles : 1P, 2P
- voltage rating : 1000V DC for fuse carriers and 900V DC for fuses
- fuse carriers current rating : 32A
- fuses current rating : 2 to 20A
- breaking capacity : 30kA
- minimum Interrupting : 2 x I<sub>n</sub> (2-3-4A), 1.9 x I<sub>n</sub> (6-8-10-12A), 1.6 x I<sub>n</sub> (16-20A)

#### Connection capacity

rigid conductors : 16mm<sup>2</sup>  
flexible conductors : 10mm<sup>2</sup>

Comply with IEC 60269-2, IEC 60269-2-1 and IEC 60947-3

### Switch disconnectors

Designed for photovoltaic applications but fully compatible to any DC purposes. Contact making and break independent to operator speed.

#### Technical data

- poles : 4P
- voltage rating : 1000V DC 21B
- current rating : 32A

#### Connection capacity

rigid conductors : 16mm<sup>2</sup>  
flexible conductors : 10mm<sup>2</sup>

Comply IEC 60 947-3



L501PV



SB432PV



SPV025

Description	I <sub>n</sub> (A)	Characteristics	Pack qty.	Cat. ref.
<b>L38 photovoltaic fuse carriers</b> 1000V DC	32	single pole	12	<b>L501PV</b>
	32	double pole	6	<b>L502PV</b>
<b>Photovoltaic cartridge fuses</b> 900V DC	2		10	<b>LF302PV</b>
	3		10	<b>LF303PV</b>
	4		10	<b>LF304PV</b>
	6		10	<b>LF306PV</b>
	8		10	<b>LF308PV</b>
	10		10	<b>LF310PV</b>
	12		10	<b>LF312PV</b>
	16		10	<b>LF316PV</b>
	20		10	<b>LF320PV</b>
	25		10	<b>LF325PV</b>
32		10	<b>LF332PV</b>	
<b>DC switch disconnectors</b>	32	4 poles, 1000 V DC	1	<b>SB432PV</b>
<b>Double pole polarized surge protection devices photovoltaic U<sub>cpv</sub> 1000V DC</b>		25kA, 4kV, class 2 with end of life indicator		<b>SPV325</b>
<b>Cartridge for photovoltaic SPDs</b> photovoltaic U <sub>cpv</sub> ≤ 1000V DC		polarized +/- for SPV325		<b>SPV025</b>
		earth for SPV325		<b>SPV025E</b>

# Control & Signaling

power interface  
efficient control of electricity

Hager offers control and signaling products to achieve safe & efficient control of electricity within domestic, commercial and industrial applications. Hager contactors compliments our control and protection devices. They are commonly used for remote switching of electrical circuits for lighting, pumps, HVAC and building automation systems.



# 06

Page

Indicator lights	254
Push buttons	254
Analogue voltmeters	256
Analogue ammeters	256
Selector switches	256
Current transformers	256
Bells & Buzzers	259
Modular contactors	260
Latching relays	263
Latching relays auxiliaries	266

# SVN indicators

LED indicators for status indication in electrical networks



#### Advantages for you:

- LED technology for maintenance free long life
- Low power consumption
- Superior aesthetics
- Special 3 in 1 indicators

#### Technical data:

- Conforms to IEC 60947-1 and IEC 62094-1
- LED technology
- Supply voltage - 230/415V AC
- Power consumption - 0.8 watts
- Burning hours - upto 100,000 hours



# Expert tips



## 01

Compact in size & highly functional

- saves space
- value for money
- superior aesthetics



## 02

Latest LED technology

- long life, upto 100,000 hours
- low power consumption



## 03

Front product labeling

- for easy circuit identification



## 04

Special 3 in 1 indicators

- RYB phase indicator in one module
- On-Off-Trip (RGO) in one module





## Indicators lights & Push buttons

### Indicator lights

- Modular LED indicators for visual indication of circuit status
- Modular push buttons for remote actuation of loads

### Technical data-Indicator lights

- Conforms to IEC 62094 - 1
- Available in Red, Orange, Green & Blue color
- Triple indicators for RYB & ON-OFF-trip (RGO) in single module
- Long life of 100,000 burning hours
- True color LEDs with very long life
- 2 in 1 indicator for ON-OFF or main-back up supply

### Technical data-Push buttons

- Conforms to IEC 60947 part 5 - 1
- Range - 1 NO, 2 NO, 1 NO + 1 NC without indicator
- 1 NO & 2 NO with green indicator

### Features & benefits

- Modular design, fits on 35mm DIN channel
- Very low power consumption
- LED technology, long life, maintenance free
- Superior aesthetics with true colors LEDs
- RYB & On-Off-Trip indicators in one module, saves space & cost

### Connection

- 10sq mm rigid cable
- 6sq mm flexible cable

IP2X terminal



Description	Characteristics	Modules	Cat. Ref.
<b>Single Indicator light</b>	green	1	<b>SVN121</b>
	red	1	<b>SVN122</b>
	orange	1	<b>SVN123</b>
	blue	1	<b>SVN124</b>
<b>2 in 1 Indicator light</b>	red+green	1	<b>SVN126</b>
<b>3 in 1 Indicator light</b>	red+green+orange	1	<b>SVN129</b>
	red+orange+blue (RYB)	1	<b>SVN222</b>

### Latching Push buttons

16 A - 230 V~

SVN222 & SVN129



SVN332

<b>without indicator</b>			
contact: 1 NO		1	<b>SVN312</b>
contacts: 2 NO		1	<b>SVN332</b>
contacts: 1NO+1NC		1	<b>SVN352</b>
<b>with LED indicator</b>			
contact: 1 NO	green	1	<b>SVN413</b>
contacts: 2 NO	green	1	<b>SVN433</b>



## Electrical and mechanical characteristics

## General features

Part number	SVN1...	SVN4...	SVN3...
Designation	Indicator lights	Indicator lights + Push buttons	Push buttons
		Indicator lights Push buttons	
Standard	IEC62094-1		IEC60947-5-1
Light technology	LED light		
<b>Electrical characteristics</b>			
Rated insulation voltage	250V		
Rated impulse withstand voltage	4kV (2kV for 12-48V version)		4kV
Operational voltage	230VAC		
Frequency	50 Hz		
Operational thermal current	n/a		16A
Operational current @230V AC12	n/a		16A
Operational current @230V AC14	n/a		10A
LED power	0.8W (230V), 0.33W (48V), 0.8W (24V)		
LED consumption	3.45mA (230V), 6.9mA (48V), 3.3mA (24V)		9.7mA (48VDC), 4.6mA (24VDC), 2.1mA (12VDC)
Conditional short-circuit current	n/a		1000A with gl. 10A fuse
IP class	IP2X		
Degree of pollution	3		
<b>Connection</b>			
Type of connection	Cage terminals		
Connection capacity with flexible cable	0.75mm <sup>2</sup> to 6mm <sup>2</sup>		
Connction capacity with rigid cable	0.75m <sup>2</sup> to 10m <sup>2</sup>		
Terminal tightening torque	Mini : 1.3Nm ; Max 2Nm : advised 1.65Nm rigid and 1.8Nm		
Case material	Thermoplastic (Polyamide) comply with IEC 695-2-1		
<b>Mechanical characteristics</b>			
Electric endurance in number of cycles	n/a		15000 (AC12); 6000 (AC14)
Mechanical endurance in no. of operations	n/a		15000
Life time	100000h		
Operating temperature	-20 to +50°C		
Storage temperature	-40 to +80°C		
Protection index IP	20		
Height	2000m		
<b>Installation</b>			
Mounting	DIN rail EN50022-35		
Mounting position	Performance not affected if installed vertically, horizontally or flat		



# Voltmeters, Ammeters, Selector switches and Current transformers

## Description

- Analog ammeter for current measurement
- Analog voltmeter for voltage measurement
- Selector switches – ASS & VSS
- Current transformers for CT operated ammeters

## Technical data

- Conforms to IEC 60947-3
- Ammeter direct reading - 0 - 30A
- Ammeter CT operated upto 250A
- Voltmeters – 0-500V AC
- Voltmeter accuracy – 1.5%
- ASS – 4 positions with off
- VSS - 7 positions with off
- CT – 50/5, 100/5, 150/5, 250/5

## Features & benefits

- Modular device for measurement of current / voltage
- Fits on 35mm DIN channel

## Selector switches

For ammeter and voltmeter or for circuit selection.

## Connection

- 1.5 to 10sq mm rigid conductor
- 1 to 6sq mm flexible conductor



SM500



SM030



SK602



SRA01005

Description	Characteristics	Modules	Cat. Ref.
<b>Voltmeter</b>	Accuracy 1.5% Consumption < 3VA 0-500V	4	<b>SM500</b>
<b>Ammeter</b>	direct  0-30A	4	<b>SM030</b>
	CT operated 0-50A	4	<b>SM050</b>
	0-100A	4	<b>SM100</b>
	0-150A	4	<b>SM150</b>
	0-250A	4	<b>SM250</b>
<b>Selector switches</b>	Voltmeter selector switch 3 readings between phases 3 readings between phase and neutral null position (no reading)	3	<b>SK602</b>
	Ammeter selector switch 4 positions null position (no reading)	3	<b>SK603</b>
	Key selector switch 4 position 10A 400V AC	3	<b>SK606</b>
<b>Current transformers</b>	50/5A		<b>SRA00505</b>
	100/5A		<b>SRA01005</b>
	150/5A		<b>SRA01505</b>
	200/5A		<b>SRA02005</b>
	250/5A		<b>SRA02505</b>





## Analogue voltmeter and ammeter

### Technical specifications

#### Electrical characteristics

- direct reading voltmeter : 500V for 50/60Hz
- direct reading ammeter : 30A
- ammeter with CT : CT/5A
- consumption : voltmeter <3VA/ammeter <1.1VA
- isolating voltage : 2kV

#### Environment

- working T°: 23°C ± 10°C accuracy 1.5%
- working T°: -10°C to +50°C accuracy 1.5%
- storage T°: -40°C to +70°C

#### Connection capacity

- flexible : 1 to 6 mm<sup>2</sup>
- rigid : 1.5 to 10 mm<sup>2</sup>

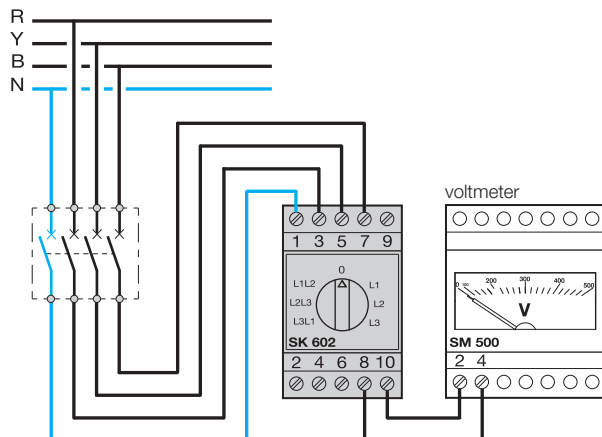
## Ammeters range

cat. ref.	scale	reading
SM 030	0-30A	direct
SM 050	0-50A	via CT/5A
SM 100	0-100A	via CT/5A
SM 150	0-150A	via CT/5A
SM 250	0-250A	via CT/5A

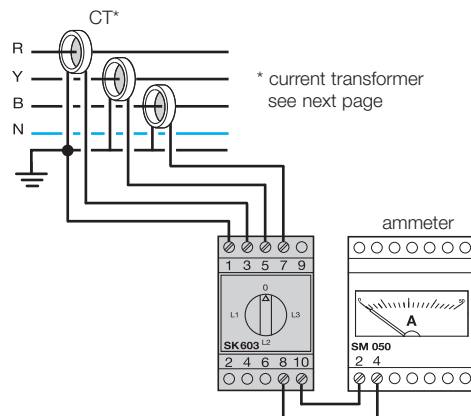
## Voltmeters range

cat. ref.	scale	reading
SM 500	0-500V	direct

### Electrical connection



### Electrical connection





# Current transformers

**:hager**

## Electrical characteristics

- Standard: EN/IEC60044-1
- Primary rated current: 50 A - 250 A
- Rated secondary current: 5 A
- Rated frequency: 50 - 60 Hz
- Highest voltage for equipment  $U_m$ : 720 V
- Rated power-frequency withstand voltage (r.m.s.): 3 kV
- Instrument security factor (FS): FS 5
- Rated continuous thermal current:  $1,2 \times I_n$

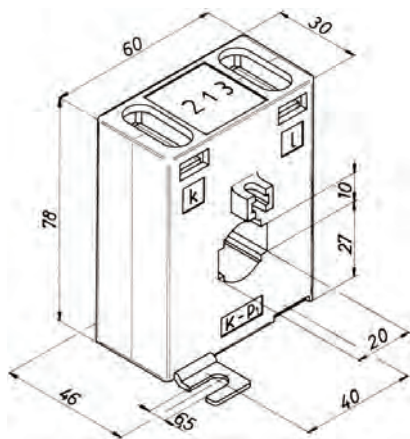
- current rating: 120 %
- Rated short time thermal current:  $I_{th} = 60 \times I_n$  (max 50 kA)
- Rated dynamic current:  $I_{dyn} = 2,5 \times I_{th}$  (max 120 kA)
- Permissible ambient temperature:  $-40 \text{ }^\circ\text{C}$  to  $+40 \text{ }^\circ\text{C}$
- Class of insulation in accordance with IEC 60085: E
- Degree of protection DIN/EN 60529 / VDE 0470 T1: IP 20
- Recommended tightening torque secondary terminals: 1,5 - 2 Nm

## Current transformers

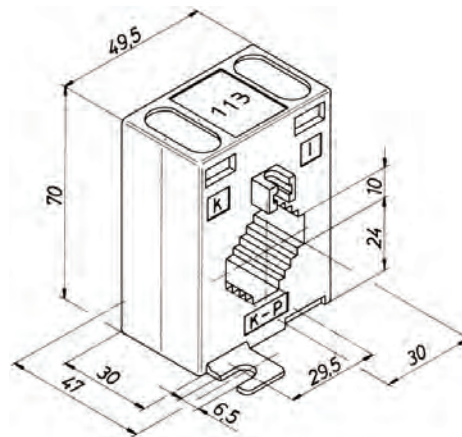
Reference	SRA00505	SRA01005	SRA01505	SRA02005	SRA02505
<b>Bus bars</b>	20x10mm, 15x15mm, $\phi$ 20mm	30x10mm, 25x15mm, 20x20mm			
<b>Primary Current</b>	50A	100A	150A	200A	250A
<b>Secondary Current</b>	5A	5A			
<b>Dimensions</b>	78x60x30mm	70x49.5x30mm			
<b>Accuracy Class</b>	1	1			
<b>Burden</b>	1.5VA	2.5VA			

## Range of all CT's

### SRA00505



### SRA01005 / SRA01505 / SRA02005 / SRA02505



**Description**

- To provide an audio alarm

**Technical data**

- Rating - 230 V AC
- Consumption - 6.5 VA
- Bells - 85 db
- Buzzers - 78 db

**Features & benefits**

- Compact device, only 1 module (17.5mm)
- Can be used to signal events like switching "ON", "OFF" and "Tripping" of device
- Fits on 35mm DIN channel

**Connection**



- 6 sq mm rigid cable
- 4 sq mm flexible cable



SU213



SU215

Description	Characteristics	Modules	Catalogue No.
<b>Bells</b> 	230V AC 6.5VA	1	<b>SU213</b>
<b>Buzzers</b> 	230V AC 6.5VA	1	<b>SU215</b>



# Contactors

## Description

- For remote switching of power & control circuits

## Technical data

- Rating - 25A, 40A & 63A
- No of poles - 2NO, 1NO+1NC, 2NO+2NC, 3NO, 3NO+1NC, 4 NO
- Utilization category - AC 7A (for resistive loads)
- Coil voltage - 230V AC, 50 Hz

## Features & benefits

- Compact modular design
- Fits on 35mm DIN channel
- Ideal for use with time

switches, twilight switches & PIRs


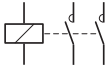

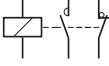
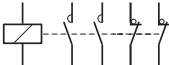

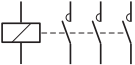


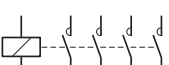

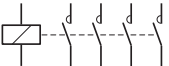
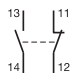
- Day & night contactors with manual override switch
- Low power consumption

## Options

- Contact choice
- normally open (NO)
  - normally closed (NC)

## Auxiliary contact

Auxiliary available for 1NO+1NC for complete range

	Description	Coil voltage	Rating AC 7A	Modules	Cat. Ref.
 ESC225	<b>2NO</b> 	230V – 50 Hz	25A	1	<b>ESC225</b>
			40A	3	<b>ESC240</b>
			63A	3	<b>ESC263</b>
 ESC227	<b>1NO+1NC</b> 	230V – 50 Hz	25A	1	<b>ESC227</b>
	<b>2NO+2NC</b> 	230V – 50 Hz	40A	3	<b>ESC442</b>
			63A	3	<b>ESC465</b>
 ESC340	<b>3NO</b> 	230V – 50 Hz	40A	3	<b>ESC340</b>
			63A	3	<b>ESC363</b>
	<b>3NO+1NC</b> 		230V – 50 Hz	40A	3
 ESC463	<b>4NO</b> 	230V – 50 Hz	25A	3	<b>ESC425</b>
			40A	3	<b>ESC440</b>
			63A	3	<b>ESC463</b>
 ETC440		230V – 50 Hz	40A	3	<b>ETC440</b>
			63A	3	<b>ETC463</b>
	<b>Night &amp; day contactor</b>				
	<b>Auxiliary contact</b> (for 1NO+1NC)		2A	1/2	<b>ESC080</b>
					
	ESC080				



Description		Modular contactor and relay			Auxiliary contact	
Standard conformity		EN 61095				
Approvals		NF - VDE - IMQ - KEMA - RMC / CCC				
		Contactor	Contactor	Contactor	Accessory	
Number of modules			3		0.5	
Thermal current I <sub>th</sub> (40°C)		25A	40A	63A	6A	
Rated frequency		50Hz	50Hz	50Hz	50Hz	
Rated insulation voltage (U <sub>i</sub> )		250V	440V	440V	250V	
Rated impulse withstand voltage (U <sub>imp</sub> )		4kV	4kV	4kV	4kV	
Protection degree		2	2	2	2	
<b>Rated operating currents and power ratings in AC</b>						
AC-1 / AC-7a	rated operational currents I <sub>e</sub>	25A	40A	63A	-	
	rated operational power	230V	4.6kW	7.3kW	11.6kW	-
400V		-	22kW	35kW	-	
AC-3 / AC-7b	rated operational currents I <sub>e</sub>	8.5A	25A	32A	-	
	rated operational power	230V	880W	2.6W	3.3W	-
		400V	-	7.8kW	10kW	-
AC-12	rated operational currents at 230V	-	-	-	6A	
AC-15	rated operational currents at 230V	-	-	-	2A	
<b>Mechanical and electrical endurences</b>						
Mechanical endurance	nr of operations	1,000,000	1,000,000	1,000,000	1,000,000	
Electrical endurance at I <sub>e</sub> AC7a (AC12 for aux contacts)	nr of operations	60,000	60,000	60,000	60,000	
<b>MCB protected short-circuit withstand</b>						
Prospected short-circuit current	rms	3kA	3kA	3kA	1kA	
Associated protection		MCB C25-6kA	MCB C40-10kA	MCB C63-10kA	6A 10x38 gG fuse or mcb	
<b>Power dissipation</b>						
Power dissipation per current path		1.5W	3.2W	5W	0.4W	
<b>Magnetic system for eco and standard contactor</b>						
Pick-up		7.4VA	60VA	60VA	-	
Coil consumption		1.8VA	7VA	7VA	-	
Closing delay		25ms	25ms	25ms	-	
Opening delay		15ms	20ms	20ms	-	
<b>Connection</b>						
Main contact cable section	rigid	1...10mm <sup>2</sup>	4...25mm <sup>2</sup>	4...25mm <sup>2</sup>	1...6mm <sup>2</sup>	
	flexible	1...6mm <sup>2</sup>	4...16mm <sup>2</sup>	4...16mm <sup>2</sup>	1...6mm <sup>2</sup>	
Main contact connection screw	type	M3.4	M5	M5	M3.4	
	posidrive	PZ2	PZ2	PZ2	PZ2	
	max. tight. torque	1.2Nm	2Nm	2Nm	1.2Nm	
Coil connection cable section	rigid	1...10mm <sup>2</sup>	1...10mm <sup>2</sup>	1...10mm <sup>2</sup>	-	
	flexible	1...6mm <sup>2</sup>	1...6mm <sup>2</sup>	1...6mm <sup>2</sup>	-	
Coil connection screw	type	M3.5	M4	M4	-	
	posidrive	PZ2	PZ2	PZ2	-	
	max. tight. torque	1.2Nm	1.5Nm	1.5Nm	-	
<b>Working temperature</b>		-10°C to +50°C				
<b>Storage temperature</b>		-40°C to +80°C				



# Choice of contactors

**:hager**

## Choice of contactors

The choice of contactor is based on many factors:

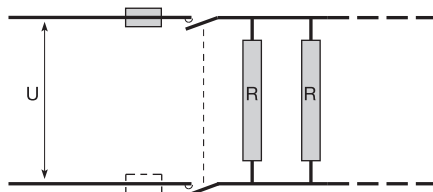
- type of the load supplied,
- nominal current of the load,
- operating voltage,
- number of operations, etc..

The contactors are AC7-a (resistive load) and AC7-b (inductive load) approved.

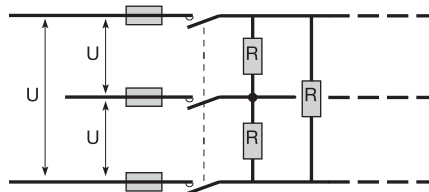
## Heating applications

The choice of the contactor is based on the electrical heating load, and the targeted life time.

### Single phase



### Three phase supply



Number of operations			60,000	100,000	150,000	300,000	600,000
Maximum load* in kW	230V	16A	3.0	2.5	1.9	0.8	0.7
		25A	4.6	4.0	3.0	1.3	1.0
		40A	7.3	6.3	4.7	2.2	1.6
		63A	11.6	10.0	7.5	3.5	2.5
	400V	16A	8.9	8.0	5.8	2.8	2.0
		25A	13.8	12.0	8.6	4.3	3.0
		40A	22.0	18.5	14.3	6.3	5.0
		63A	35.0	30.0	22.6	10.2	7.6

\* On three phase configuration the maximum load per phase corresponds to the values states divided by 3.

### Example:

Function of a heating installation 200 days/annum, 75 operations per day (1 opening + 1 closing = 2 operations)

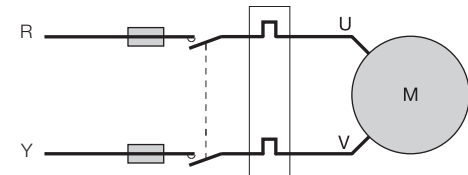
Mechanical life = 10 years

Total number of operations:  $200 \times 75 \times 10 = 150,000$

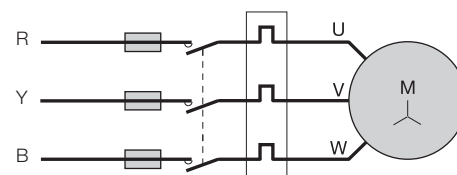
in that case, depending on the type of circuit, select a contactor 40A 230V to control a load of 4.7 kW, or a contactor 16A 400V to control a load up to 5.8 kW.

## Motor applications (AC7-b equivalent to AC3)

### Single phase 230V



### Three phase 400V



	Contactor rating	Control diagram	
		2P 230V single phase	3P 400V three phase
Maximum power for the motor	16A	0.57 kW	1.7 kW
	25A	0.88 kW	2.65 kW
	40A	2.6 kW	7.8 kW
	63A	3.3 kW	10 kW

### Influence of working temperature:

Derating factor between 40°C and 50°C : 0.9

Example: heating with convector

The maximum load of ESC225 is 4.6kW for 60,000 operations and for a temperature <40°C.

between 40°C and 50°C, the load is  $4.6 \times 0.9$  i.e. 4.14kW

### Adjacent fitting:

It is necessary to put a heat dissipation insert (reference LZ060) between each 3 products, or each humfree contact.



## Description

- Operates loads on impulse signal

## Technical data

- Rating - 16A
- No of poles - 1NO, 2NO, 1NO+1NC, 4NO, 2NO+2NC
- Utilization category - AC 1 (for resistive loads)
- Coil voltage - 230V AC, 50Hz

## Features & benefits

- Used for controlling loads with multiple control points for ex-warehouse or long corridors
- Very useful for application like staircase light management
- Can be used in hotel rooms for controlling lights from multiple points

## Connection

- 10 sq. mm. flexibles
- 6 sq. mm. rigid



EPN 510



EPN 540

Desicription	Characteristics	Modules	Cat. Ref.
<b>Latching relays</b>	<b>1NO</b> 16A-230V Coil Voltage: 230 VAC	1	<b>EPN510</b>
	<b>1NO + 1NC</b> 16A-230V Coil Voltage: 230 VAC	1	<b>EPN515</b>
	<b>2NO</b> 16A-230V Coil Voltage: 230 VAC	1	<b>EPN520</b>
	<b>2NO + 2NC</b> 16A-230V Coil Voltage: 230 VAC	2	<b>EPN525</b>
	<b>4NO</b> 16A-230V Coil Voltage: 230 VAC	2	<b>EPN540</b>



# Latching relays

:hager

## Technical characteristics

	<b>EPN510 EPN515 EPN520</b>	<b>EPN525 EPN240</b>
<b>Coil in AC</b>		
voltage rating	230V	230V
tolerance	+10/-20%	+10/-20%
frequency	50/60Hz	50/60Hz
start consumption	25VA	55VA
<b>Coil in DC</b>		
voltage rating	110V	110V
tolerance	+10/-20%	+10/-20%
start consumption	12VA	25w
<b>Contacts</b>		
max. perm. Current AC1	16A	16A
voltage	250V AC	250V AC
electrical endurance	150 000 operations	150 000 operations
mechanical endurance	500 000 operations	500 000 operations
ohmic loss per current path	1.2W	1.2W
minimum duration of impulse	50 ms	50 ms
maximum time under voltage	1 H	1 H
push button with signal lamp without condensator	6 (1mA / lamp)	6 (1mA / lamp)
push button with signal lamp with condensator = 1uF parrallel *	10 (1mA / lamp)	10 (1mA / lamp)
push button with signal lamp with condensator = 2.2uF parrallel *	44 (1mA / lamp)	44 (1mA / lamp)
ingress protection	IP20	IP20
working temperature	-5 to +40°C	-5 to +40°C
storage temperature	-40 to 80°C	-40 to 80°C
<b>Connection</b>		
flexible	6 mm <sup>2</sup>	6 mm <sup>2</sup>
rigid	10 mm <sup>2</sup>	10 mm <sup>2</sup>





**Technical characteristics**

The following table shows the number of lamps which can be connected per phase at 230V 50Hz.

<b>Incandescent lamps 230V lamps with and without halogen</b>									
load :	40W	60W	75W	100W	150W	200W	300W	500W	1000W
number :	45	30	24	18	12	9	5	3	2
<b>Low voltage halogen</b>									
load :	20W	50W	75W	100W	150W	300W			
number :	70	28	19	14	9	3			
<b>Fluorescent lamps uncompensated</b>									
load :	15W	18W	30W	36W	58W				
number :	29	25	25	24	14				
<b>Parallel compensation</b>									
load :	15W	18W	30W	36W	58W				
number :	27	27	25	25	16				
C total max(a) :	121 $\mu$ F	121 $\mu$ F	112 $\mu$ F	112 $\mu$ F	72 $\mu$ F				
<b>Two lamp circuit, series compensation</b>									
load :	2x18W	2x20W	2x36W	2x40W	2x58W	2x65W			
number :	40	40	22	22	12	12			
C :	2.7 $\mu$ F	2.7 $\mu$ F	3.4 $\mu$ F	3.4 $\mu$ F	5.3 $\mu$ F	5.3 $\mu$ F			
load :	18W	36W	58W						
number :	30	28	15						
<b>Two lamp circuit with electronics power supply units</b>									
load :	2x18W	2x36W	2x58W						
number :	15	13	8						
<b>Fluo compact uncompensated</b>									
load :	7W	10W	18W	26W					
number :	50	45	40	25					
<b>Fluo compact electronic power supply unit</b>									
load :	11W	15W	20W	23W					
number :	80	60	50	40					
<b>High intensity discharge metal halogen lamps, uncompensated</b>									
load :	50W	80W	125W	250W	400W				
number :	11	9	7	3	2				
<b>Metal halogen lamps, parallel compensation</b>									
load :	50W	80W	125W	250W	400W				
number :	9	8	6	3	2				
C total max(a) :	63 $\mu$ F	58 $\mu$ F	60 $\mu$ F	54 $\mu$ F	50 $\mu$ F				
<b>High pressure sodium vapour lamps, uncompensated</b>									
load :	70W	150W	250W	400W					
number :	9	5	3	2					
<b>High pressure sodium vapour lamps, parallel compensated</b>									
load :	70W	150W	250W	400W					
number :	5	3	2	1					
C total max(a) :	60 $\mu$ F	54 $\mu$ F	64 $\mu$ F	50 $\mu$ F					

(a) : these values must not be exceeded



## Latching relays auxiliaries

### Auxiliaries for centralised control

The EPN 050 allows the centralised control of several light sources which can be turned on or off simultaneously. The separate switching by pushing the pushbuttons, which are connected with the latching relay, remains possible.

The EPN 052 allows an overall central control of individual central on/off EPN 050.

### Auxiliary contact

A remote signalling can be realised with the auxiliary contact EPN 051.

### Auxiliary for control by maintained contact






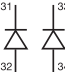

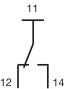
When control devices with permanent impulse are externally driven, e.g. time switches or limit switches, an impulse control directly to the latching relay's coil is possible with the auxiliary contact EPN 053.

### Connection latching relay + auxiliary

Several auxiliaries can be combined with the latching relay.

### Connection

10 sq. mm - rigid cables  
6 sq. mm - flexible cables

	Description	Characteristics	Modules	Cat. Ref.
 EPN 050	<b>Auxiliary for centralised control</b> 	24 to 230V AC	1/2	<b>EPN050</b>
 EPN 051	<b>Auxiliary contact</b> 	2A - 230 V AC	1/2	<b>EPN051</b>
 EPN 052	<b>Auxiliary for multi levelled centralised control</b> 	24 to 230V AC	1/2	<b>EPN052</b>
 EPN 053	<b>Auxiliary for control by maintained contact</b> 	24 to 230V AC	1/2	<b>EPN053</b>

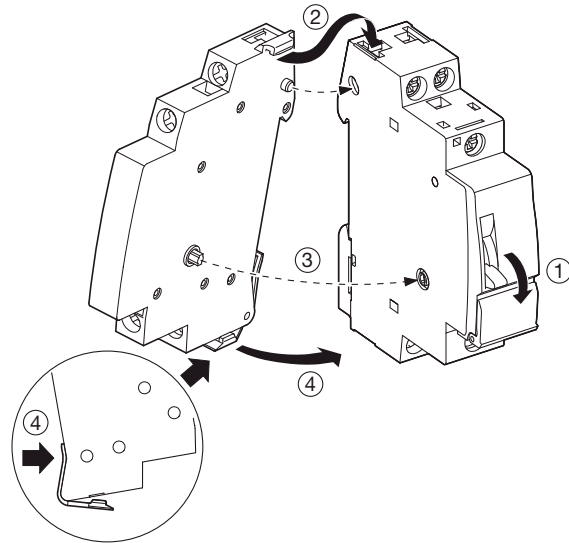


## Auxiliaries for latching relays

	EPN050	EPN051	EPN052	EPN053
voltage rating	(a)	-		(a)
	24 to 230V AC			
	12 to 110V DC			
nominal load	-	2A/250V AC	-	
I <sub>min</sub> /230V AC	-	15mA	-	
working temperature	-5 to +40° C			
storage temperature	-40 to +80° C			
Connections : flexible	6 mm <sup>2</sup>			
rigid	10 mm <sup>2</sup>			

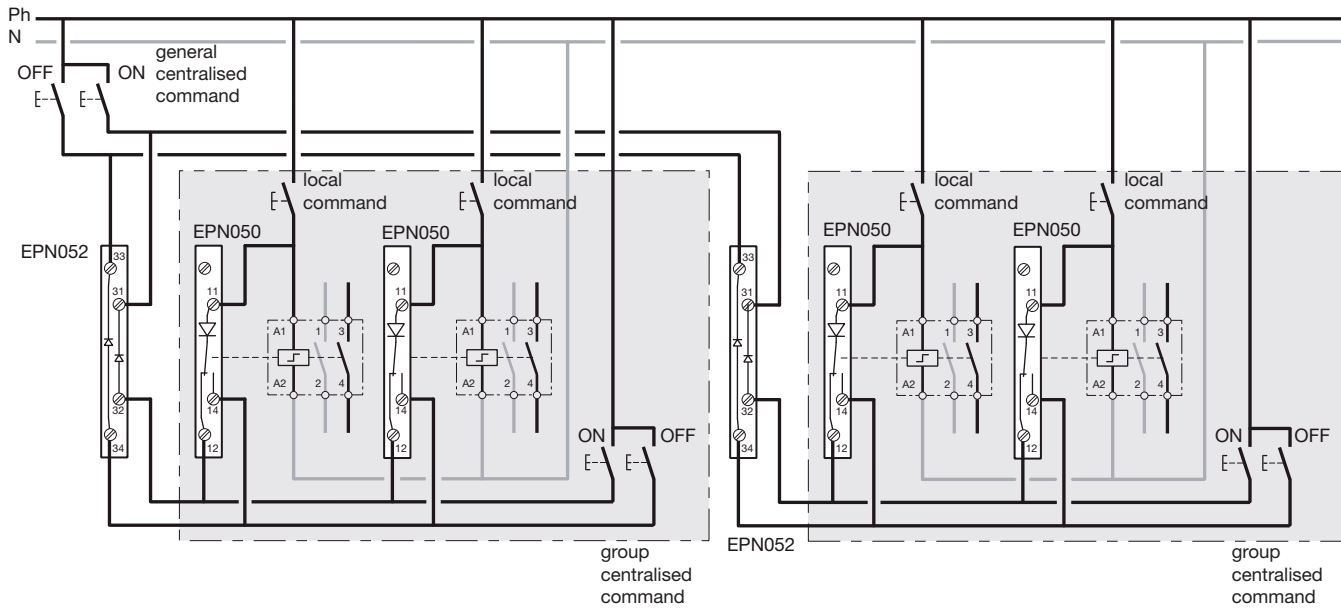
(a) : according to a latching relay connected with an auxiliary

## Installation of the auxiliaries

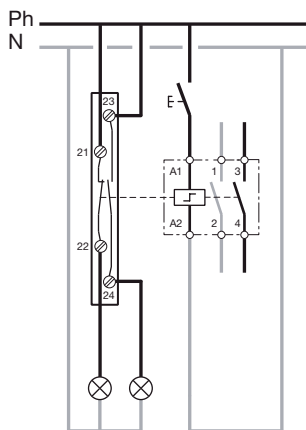


## Application diagram

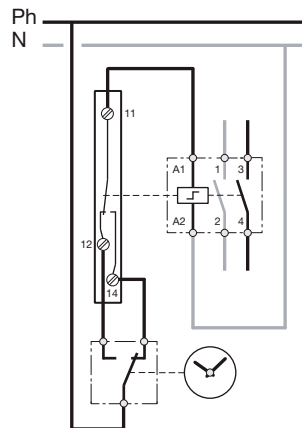
### centralised command (EPN050 - EPN052)



### Remote signalling (EPN051)



### Maintained command (EPN053)



# Energy and lighting

## Innovative solutions for efficient use of energy

Hager offers innovative solutions for efficient use of available resources to keep energy consumption at lowest with higher control, comfort and convenience to users. Hager's lighting control devices are totally unique and provides real benefits to end users.



---

Analogue time switches	270
Digital time switches	272
Astronomical time switches	274
Twilight switches	276
Movement detectors	282
Presence detectors	289
Movement detectors - IP55	294
LED Floodlight	296
Dimmers	304
Time lag switch	306
Energy meters	316

# Analogue time switches

## Description

- Time switches improve comfort by switching loads automatically as per real time
- Helps in saving energy

## Applications

- Residential, commercial & industrial premises
- To control lighting, heating
- Household appliances
- Shop windows

## Technical data

- Conforms to IEC 60730
- Programming by captive segments
- Manual override function :

For EH011 :

- automatic
- permanent ON

For EH111 :

- automatic
- permanent ON
- permanent OFF

For EH711

- automatic
- permanent ON
- permanent OFF

For EH771

- automatic
- permanent ON
- permanent OFF

Minimum switching time :

- 15 min for daily version din rail mounted
- 20 min for daily version wall mounted
- 2 Hour for weekly version wall mounted

Operating voltage :

- 230V ~ 50 Hz

Connection :

- 1 to 4mm<sup>2</sup> for 1M
- 1 to 6mm<sup>2</sup> for 3M

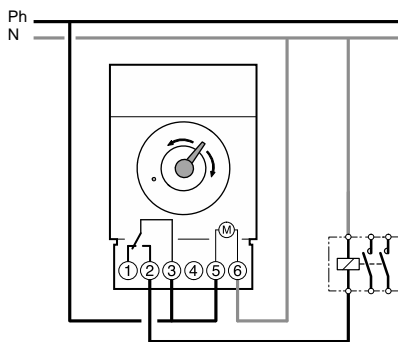
## Features & benefits

- Battery reserve of 200 hrs.
- Easy time setting
- Sealing of cover to avoid unwanted modifications
- Possibility of manual override

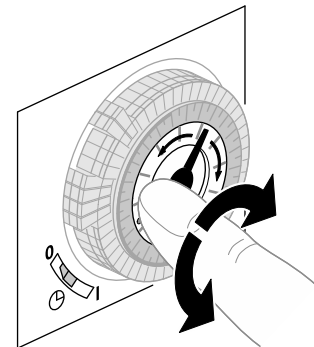
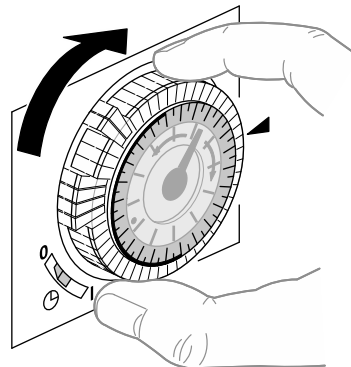
	Description	Characteristics	Modules	Cat. Ref.
 <p>EH111</p>	<b>1 channel, daily dial</b> with battery reserve of 200 hours after being connected for 120 hours	1 NO 16A - 230V AC1 1 module device	1	<b>EH011</b>
		1 changeover contact 16A - 230V AC1 3 module device	3	<b>EH111</b>
 <p>EH711</p>	<b>1 channel, daily dial</b> din rail / wall mounted with battery reserve upto 200 hours after being connected for 120 hours	1 changeover contact 16A-230V AC / wall mounted	-	<b>EH711</b>
		<b>1 channel, weekly dail</b> din rail /wall mounted with battery reserve upto 200 hours after being connected for 120 hours	1 changeover contact 16A-230V AC / wall mounted	-

Technical specifications

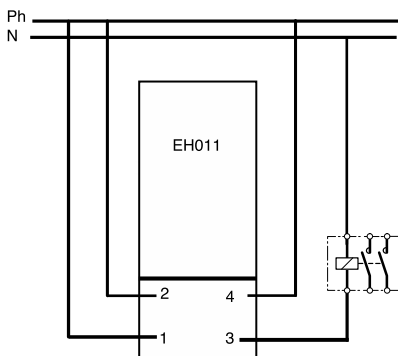
	EH 011	EH 111	EH 711	EH 771
<b>Width in 17.5mm</b>	1	3	Wall Mount	Wall Mount
<b>Version</b>	daily	daily	daily	weekly
<b>Electrical characteristics</b>				
voltage supply	230V +10/-10%		230V + 10% - 15%	230V + 10% - 15%
frequency	50/60Hz		50/60Hz	50/60Hz
consumption	0.5VA		0.5VA	0.5VA
output	1NO	1 changeover	1 changeover	1 changeover
<b>Switching capacity</b>				
AC1	16A/250V		16A/250V	16A/250V
inductive load (cos phi = 0.6)	4A/250V		3A/250V	3A/250V
incandescent lamps	900W		1000W	1000W
<b>Characteristics</b>				
technology	Quartz		Quartz	Quartz
dial	24 hours		24 hours	7 days
min. switching	15 min		20 min	2 Hour
max. number of switching	96			
accuracy	+/- 1 sec per day		+/- 1 sec per day	+/- 1 sec per day
supply failure reserve	200 hours	200 hours	200 hours	200 hours
reached in	120 hours	120 hours	120 hours	120 hours
manual override	auto/ON	auto/ON/OFF	auto/ON/OFF	auto/ON/OFF
<b>Environment</b>				
ingress protection	IP20		IP20	IP20
working temperature	-10°C to +55°C		-10°C to +50°C	-10°C to +50°C
storage temperature	-20°C to +60°C		-20°C to +60°C	-20°C to +60°C
connection	1 to 4 mm <sup>2</sup>		1 to 6 mm <sup>2</sup>	1 to 6 mm <sup>2</sup>



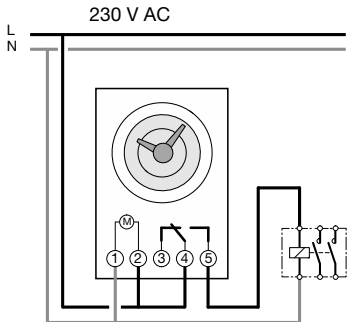
EH 111 Electrical connections



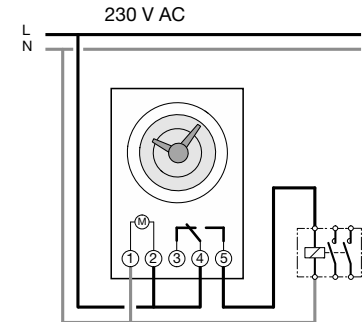
Simple time setting and programming using dual direction dial



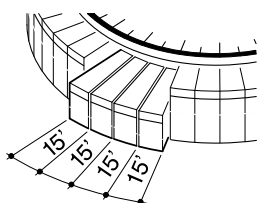
EH 011 electrical connections



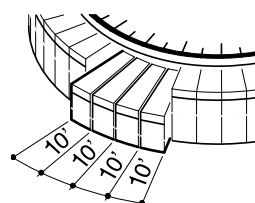
EH 711 electrical connections



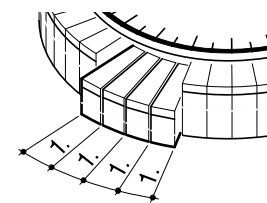
EH 771 electrical connections



EH 111 Programming by captive segments



EH 711



EH 771

## Description

- Time switches improve comforts by switching loads automatically as per real time
- Helps in saving energy

## Technical data

- Conforms to IEC 60730
- Operating voltage : 230V ~ 50 Hz
- Connection : 6 for EG103E (screws)  
1 to 2.5mm<sup>2</sup> for EG293B (quick connect)

## Features & benefits

- Large backlit display
- Protective cover for LCD display
- Easy programming on the product
- 20, 56, 300 (yearly) programming steps
- Programmable via PC & software (EG003U)
- 5 years battery reserve
- Yearly programming cycle



EG103E

Description	Characteristics	Modules	Cat. Ref.
<b>1 channel weekly program delivered with USB key EG005</b>	capacity : 56 program steps 1 changeover contact 16A - 230V AC1 with "holiday" function impulse function programming via software or using local keypad	2	<b>EG103E</b>
<b>2 channel yearly program</b>	capacity : 300 program steps 2 changeover contacts 10A - 250V AC1 with "holiday" function 10 sub programs programming through software or using local keypad	4	<b>EG293B</b>

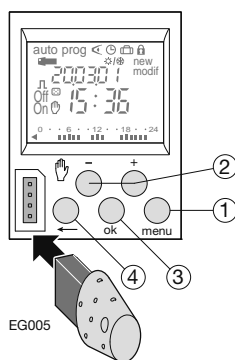
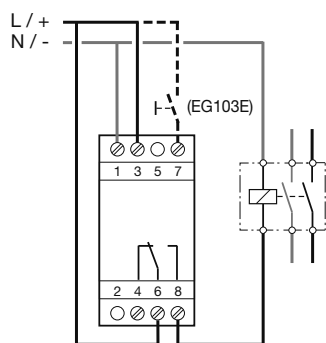


### Technical specifications

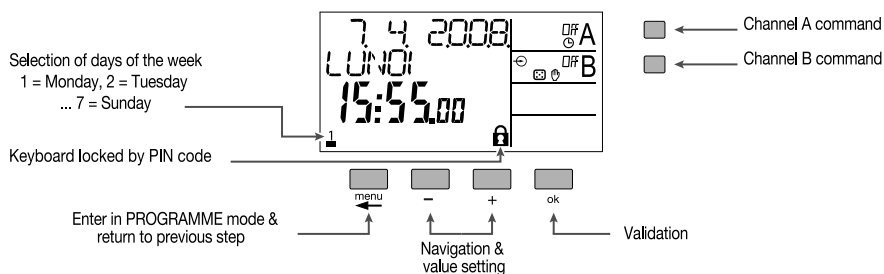
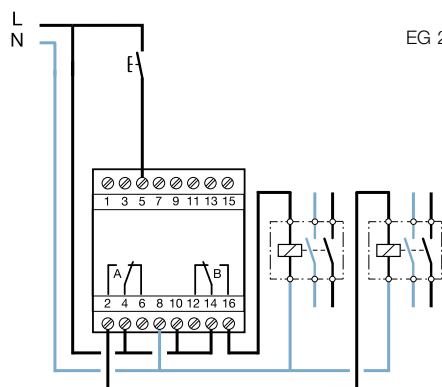
	EG 103E	EG 293B
<b>Width in 17.5mm</b>	2	4
<b>Version</b>	weekly	yearly
<b>Electrical characteristics</b>		
voltage supply	230V +15/-15% 50/60Hz	
consumption	6VA	2 VA
output	changeover contact	
<b>Switching capacity</b>		
AC1	16	
incandescent lamps 2300W	1500W	
<b>Characteristics</b>		
accuracy		
supply failure reserve	Lithium battery 5 years	
manual override	permanent ON/OFF	
	temporary ON/OFF	
<b>Environment</b>		
ingress protection	IP20	
working temperature	-10 to +55°C	-10 to 45°C
storage temperature	-20 to +60°C	
connection	0.5 to 4mm <sup>2</sup>	

### Electrical connections

EG 103E



EG 293B



## Description

The hager range is composed of two Astronomical time switches EE180/EE181

## Technical data

- Supply voltage 230V AC  $\pm$  15%
- Power consumption : max. 6 VA
- Max. load 16A AC1
- Galvanic insulation between power supply and output
- Output (EE180): 1 changeover voltage free contact
- (EE181): 2 changeover voltage free contact

- Maintained ON
- Temporary overrides
- Programming via the PC software and the associated interface (EG003)
- Weekly program

## Features & benefits

- Programming of the lighting interruption
- Automatic change of winter / summer time
- Astro program and expert program with individual Astro program steps
- Programming for day or group of days
- Anticipation ON



EE180



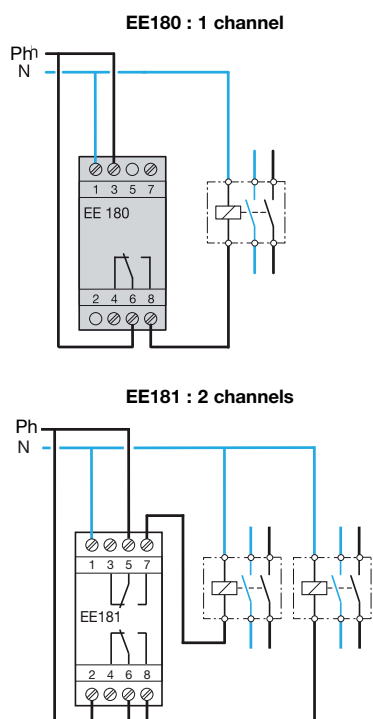
EG005

Description	Characteristics	Modules	Cat. Ref.
<b>Astro time switch 1 channel delivered with USB key EG005</b>	capacity: 56 program steps 1 changeover contact 230V 50Hz	2	<b>EE180</b>
<b>Astro time switch 2 channel delivered with USB key EG005</b>	capacity: 56 program steps 2 changeover contact 230V 50Hz	2	<b>EE181</b>
<b>PC programming Kit</b>	for EE180, EE181, EG103E, EG293B		<b>EG003U</b>
<b>Spare USB key</b>	for EE180, EE181, EG103E		<b>EG005</b>
<b>Spare USB key</b>	for EG293B		<b>EG007</b>

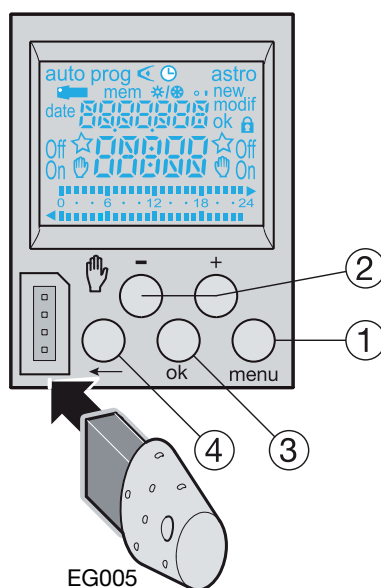
## Technical specifications

	EE180 (1 channel)	EE181 (2 channels)
<b>Width in</b>	17.5mm	2
<b>Supply voltage</b>	230V AC (+10% / -15%), 50/60Hz	
<b>Number of output</b>	1	2
<b>Characteristics of relay</b>	change over contact 16A AC1 250V /10A cos $\phi$ = 0,6	
incandescent	2300W	
230V-halogen	2300W	
<b>Connection</b>	terminal n° 5	
flexible	1 to 6mm <sup>2</sup>	
rigid	1,5 to 10mm <sup>2</sup>	
<b>Environment</b>		
storage temperature	-20° C to +60° C	
working temperature	-10° C to +55° C	
IP and IK	IP 20 IK 3	
<b>Standards</b>	CE + CTICK and CEI 60-669	
<b>Functional characteristics</b>		
display LCD	without backlighted screen	
operating reserve	Lithium battery 5 years	
precision	+/- 1,5s/day	
programming key	yes	
automatic change of winter/summer time	yes	
functions available in free		
programming	weekly programming / permanent override / temporary override	
<b>Astro functions</b>		
astro mode	yes	independent programming for each channel
programming of the lighting		
interruption	yes (if channel ASTRO)	
temporary override	15 / 30 / 60min.	
maintained	ON adjustment common to the 2 channels	
anticipation	ON adjustment common to the 2 channels	

## Electrical connection



## Presentation



## Keys

- menu** : selection of operating mode
- auto** : mode of running according to the program selected.
- prog** : new for programming mode.
- prog** : modif to modify an existing program.
- ←** : checking of the program.
- ⌚** : modification of time, date and selection of the winter / summer time change mode
- astro** : astronomical mode
- ☆** : indicates that the channel is in astronomical mode
- +and-** : navigation or setting of values.
- A** : in auto mode, selection of overrides,
- b** : or waivers.
- ok** : to validate flashing information on display.
- ←** : to return to the previous step.

You may return into auto mode at any moment using **menu**.

If no action is taken for 1 min, the switch returns into auto mode.

# Twilight switches

## Description

- This device controls lighting circuits in relation to ambient light, based on user settings

## Technical data

- Maximum distance : 50m between photocell and controller
- Available with electromechanical programmers
- Switch to select
  - Auto
  - Permanent ON
  - Permanent OFF
- Must be used in conjunction with a suitable rated contactor
- Protected cable clamps capacity :
  - rigid : 1.5 to 10mm<sup>2</sup>
  - flexible : 1 to 6mm<sup>2</sup>

## Features & benefits

- LED to show status of changeover contact
- Sealable front cover
- Photo-electric cell measures the light level and in conjunction with the relay provides ON / OFF control of a circuit.
- 4 position override switch allowing :
  - auto: normal operating mode
  - ON : permanently switched ON
  - OFF : permanently switched OFF
  - test: setting mode for easy adjustment

	Description	Characteristics	Modules	Cat. Ref.
 <p>EEN100</p>	<p><b>Twilight switch</b> delivered with a separate surface photo electric cell (EEN003)</p>	<p>adjustable sensitivity 0 to 100 lux &amp; 50 to 2000 lux 16 amp 230V AC1 changeover contact</p>	1	<b>EEN100</b>
 <p>EE110</p>	<p><b>Programmable twilight+ time switch</b> delivered with a separate surface photo electric cell (EE003)</p>	<p>adjustable sensitivity 5 to 100 lux &amp; 50 to 2000 lux 16 amp 230V AC1 changeover contact</p>	5	<b>EE110</b>
 <p>EE702</p>	<p><b>Compact twilight switch</b> with integrated photo cell</p>	<p>230V~ 50 Hz 1 NO contact 16A AC1 IP55 Integrated cell Light setting: from 2 to 1000 lux Time settings : from 1s to 120s</p>	-	<b>EE702</b>
 <p>EEN003</p>	<p><b>Spare surface cell</b> EEN100 &amp; EE110</p>	<p>IP54 surface cell for</p>	-	<b>EEN003</b>

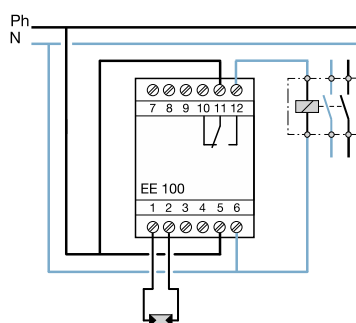
### Technical specifications

	EEN100	EE110
<b>Width in 17.5mm</b>	1	5
<b>Electrical characteristics</b>		
voltage supply	230V +10/-15%	
frequency	50Hz	
consumption	1.5VA maximum	
output	1 voltage free changeover contacts	
<b>Maximum switching capacity</b>		
AC1	16A / 250V	
incandescent lamps	2000W	
230V halogen lamps	1000W	
fluorescent lamps	-	
non compensated	1000W	
fluorescent lamps, compensated	200W	
in series	1000W	
duo fluorescent lamps	1000W	
<b>Functional characteristics</b>		
lighting level : 2 ranges	0 to 100 lux and 50 to 2000 lux	5 to 100 lux and 50 to 2000 lux
ON and OFF delay	60 sec	
mounting of cell	surface	surface
programmable	no	yes
technology		electromechan.
cycle		24 hours
programming setting		15 min.
accuracy		+/- 6min/year
operating reserve		200h after being connected for 120h
<b>Environment</b>		
working temperature	-10°C to +45°C (cell)	-30°C to +60°C (cell)
storage temperature	-25°C to +70°C	-20°C to +60°C
<b>Connection</b>		
maximum length between cell and modular device	50 meters	
capacity (modular device)	0.5 to 4mm <sup>2</sup>	
capacity (cell)	0.75 to 4mm <sup>2</sup>	0.75 to 4mm <sup>2</sup>

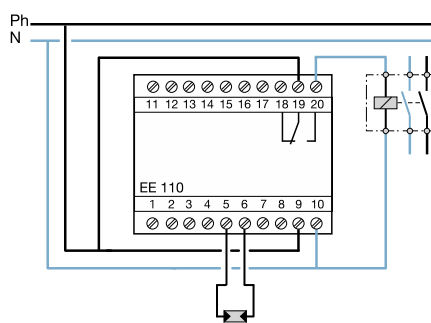
Cells	EEN003
<b>Type</b>	surface mounting
<b>Dimension (mm)</b>	25x25x20 hole Ø 25mm
<b>Connection</b>	0.75 to 4mm <sup>2</sup>
<b>Ingress protection</b>	IP54
<b>Working and storage temperature</b>	-30°C to +60°C

### Wiring diagram

#### EEN100



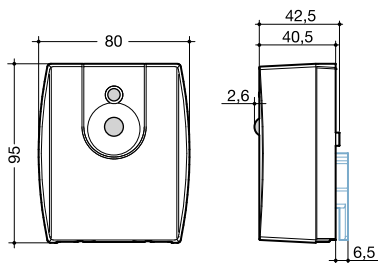
#### EE110



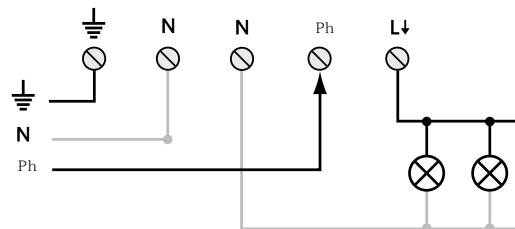
## Technical specifications

	<b>EE702 (Integrated photocell)</b>
	<b>Compact light sensitive switch</b>
<b>Dimensions</b>	80 x 40.5 x 95
<b>Supply voltage</b>	230V AC (+10%/-15%), 50Hz
<b>Characteristics of relay</b>	NO contact 16A AC1
Incandescent	2300W
Halogen ELV (12 or 24V) via ferromagnetic or electronic transformer	1500 VA
Non compensated fluorescent tubes	400W
Compact fluorescents	2000W
Electronic ballast	900W
<b>Connection</b>	
flexible	1 to 6 mm <sup>2</sup>
rigid	1.5 to 10 mm <sup>2</sup>
<b>Environment</b>	
Storage temperature	-25°C to +60°C
Operating temperature	-25°C to +45°C
IP / IK	IP55 / IK03
Isolation class	2
<b>Standards</b>	NFC 15 100 - IEC 60364-1-EN 60669-2-1
<b>Functional characteristics</b>	
Lighting switching-on level	Setting by potentiometer from 2 to 1000 lux hysteresis 10%
Setting delay	Setting by potentiometer from 1 to 120 seconds

## Dimensions



## Electrical connections





# Wall mounted PIR detectors

Hager range of PIR detectors are used for movement detection in outdoor areas and switch ON/OFF the loads accordingly. The range offers wide viewing angle and a long frontal detection area to maximise its effectiveness.



## Advantages for you:

---

- Large area of detection gives better surveillance
- Suitable for outdoor applications, thanks to overmoulded gasket
- Vertical and horizontal orientation of detection head to control the detection area of the sensor
- Time delay and lux level can be set using IR remote control
- Easy ceiling and corner mounting with accessories

## Technical data:

---

- Angle of view - 140°, 200°, 220° and 360°
- Output relay - 10A AC1 and 16A AC1
- Detection area - 16m frontal and 12m dia.
- Time delay settings - from 5 sec. to 30 mins.
- Lux level settings - from 5 to 1000 lux

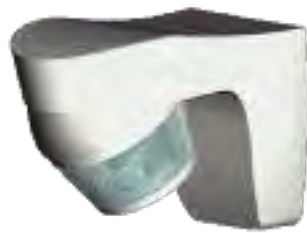


# Expert tips



**1**

Mounting options  
– easy corner mounting with accessory  
– easy ceiling mounting with accessory



**2**

Vertical and horizontal adjustment of detector head helps in controlling the detection area



**3**

140°, 200°, 220° and 360° angle of view



**4**

IR remote control for setting time delay, lux level and sensitivity of the sensor

# Movement detectors

## Description

- These devices are used for automatic control of lighting in both residential & commercial applications
- They monitor human movement in their detection zone and automatically switch on lights in case human movement is detected

## Technical data

### EE804A





- Surface mounted version
- Time delay and the lux level are set via potentiometers from 1-15 mins. & 5-1000 lux respectively
- 1 NO contact, 10A

### EE805A

- Flush mounted version
- Time delay and the lux level are set via potentiometers from 1-15 mins. & 5-1000 lux respectively
- 1 NO contact, 10A

## Features & benefits

- They turn off the light after a preset duration
- They are particularly suitable for applications like corridors, parking areas, washrooms, godowns etc.
- They bring comfort and enhance security in residential buildings.
- They guarantee significant savings in lighting power consumption by switching on lights only when required

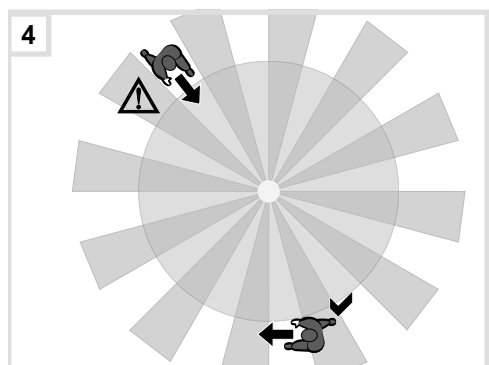
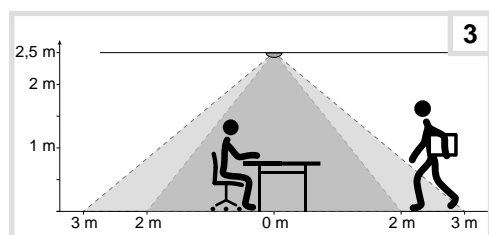
	Description	Characteristics	Cat. Ref.
 <p>EE804A</p>	<p><b>Detection angle 360°</b>            Detection range 6 meter (dia)            surface mounting            IP21</p>	<p>230 V 50 Hz</p> <p>1 NO contact, 10A AC1</p> <p>Lux: 5 to 1000 lux</p> <p>Time delay: 5s to 15 mins.</p>	<b>EE804A</b>
 <p>EE805A</p>	<p><b>Detection angle 360°</b>            Detection range 6 meter (dia)            flush mounting            IP21</p>	<p>230 V 50 Hz</p> <p>1 NO contact, 10A AC1</p> <p>Lux: 5 to 1000 lux</p> <p>Time delay: 5s to 15 mins.</p>	<b>EE805A</b>
 <p>EE883</p>	<p><b>Hyper frequency motion detector</b></p> <ul style="list-style-type: none"> <li>- 1 channel, Area detection: 1m - 8m, Surface mounted</li> <li>- Time delay: 5s - 15mins</li> <li>- Twilight adjustment: 2 - 2000 lux</li> </ul>	<p>230V~ 50Hz</p>	<b>EE883</b>
 <p>EE880</p>	<p><b>IR motion detector for Corridors</b></p> <ul style="list-style-type: none"> <li>- Area detection: 20m x 4m,</li> <li>- Surface mounted</li> <li>- Time delay: 5s - 15mins</li> </ul>	<p>230V~ 50 / 60Hz</p>	<b>EE880</b>

### Technical specifications

Mounting	EE804A surface mounted	EE805A flush mounted
Voltage supply	230V~, +10%/-15%, 240V~, +6/-6%	
Frequency	50/60Hz	
Power consumption without load	0.3 W	
Delay time, adjustable		
- Operation	5s - 30 min	
- Test mode	2 s	
- Factory setting	~ 3 min	
Response brightness, adjustable	5 ... 1000 Lux	
- Factory setting	200 Lux	
Recommended installation height	2.5 m ... 3.5 m	
Maximum installation height	4 m	
Detection area Ø motion (installation height 2.5 m)	~ 6 m	
Detection area Ø presence (installation height 2.5 m)	~ 4 m	
Detection angle	360°	
Closing contact with zero cross switching	10 A AC1, 230 V~	
Upstream circuit breaker	10A	
Incandescent and halogen lamps	230 V 2300 W	
LED lamps/Compact fluorescent lamps	20 x 20 W (400 W)	
Ferromagnetic transformers	1500 VA	
Electronic transformers	1500 W	
Fluorescent lamps		
- parallel compensated	1000 W	
- with electronic ballast	1000 W	
Relative humidity (no condensation)	30°C, 95%	
Operating temperature	-5 °C ... +45°C	
Storage/transport temperature	-25 °C... +70 °C	
Degree of protection	IP 21	
Protection class	II	
Impact resistance	IK 04	
Dimensions EE804A (Ø x H)	100 x 50 mm	
Dimensions EE805A (Ø x H)	90 x 61 mm	
Connection cross-section		
- EE804A, screw terminals	1 mm² ... 2.5 mm²	
- EE805A, plug-in terminals	1 mm² ... 2.5 mm²	

### Detection area

#### EE804A - EE805A

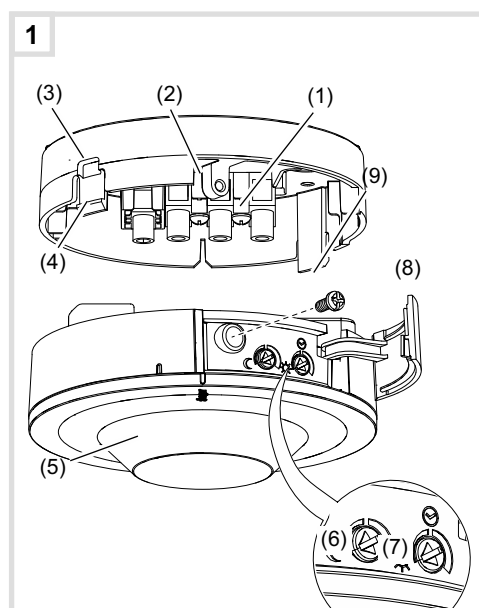


### Mounting - Movement detectors 360°

#### EE804A - EE805A

#### ceiling mounting

They are particularly intended for use in interior traffic areas such as corridors, entrance halls...



# Movement detectors

## Connecting and installing the flush-mounted variant - EE805A

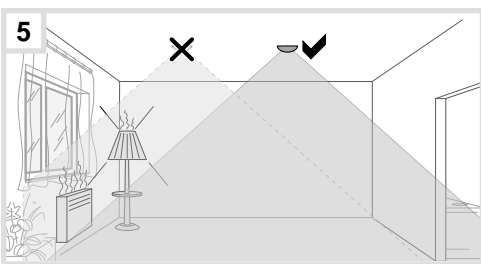
- Establish installation opening  $\varnothing$  75 mm.
- Connect motion detector according to the connecting diagram (figure 6).
- Establish strain relief on the corresponding mounting devices (11) with cable ties.
- Attach cover (12).
- Configure settings.
- Insert the two fixing springs (10) through the installation opening while pressing upwards and allow them to spring back.

## Setting the response brightness

The response brightness is the brightness value saved in the motion detector; when this value is undershot the connected load is switched on if movements are detected. The brightness threshold can be set continuously between approx. 5 ( ) and 1000 Lux ( , daytime operation/brightness-independent).

To control the lighting in stairwells in accordance with EN12464-1, select the potentiometer setting > 150 Lux (e.g factory setting, 200 Lux).

- Turn the response brightness potentiometer (6) to the desired position.



## Commissioning

### Testing the detection

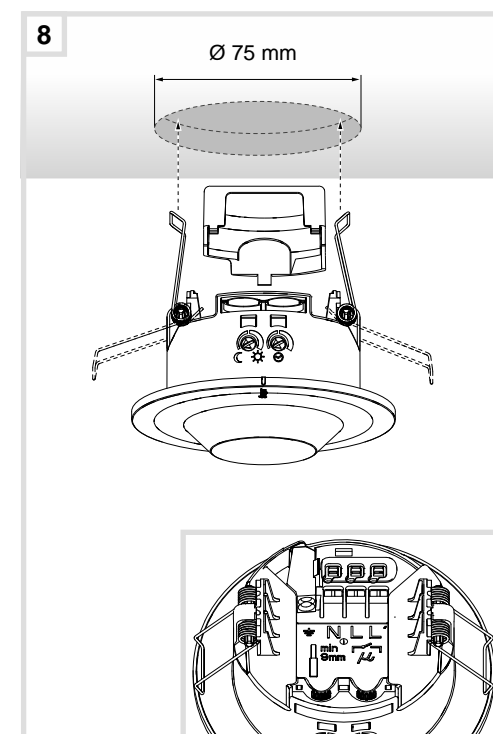
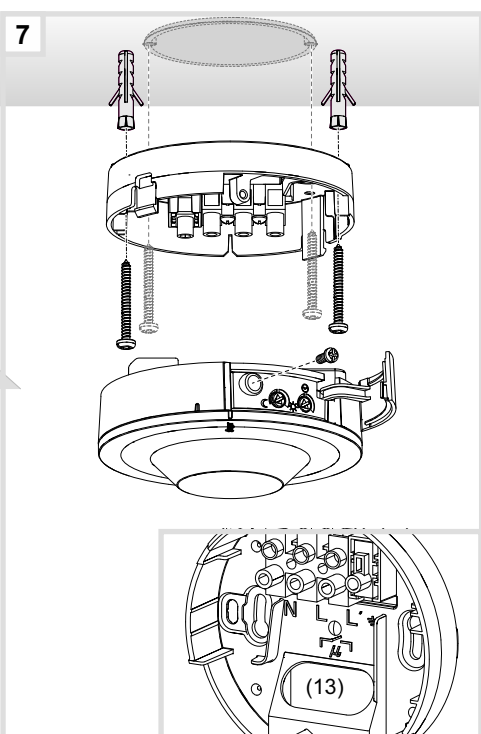
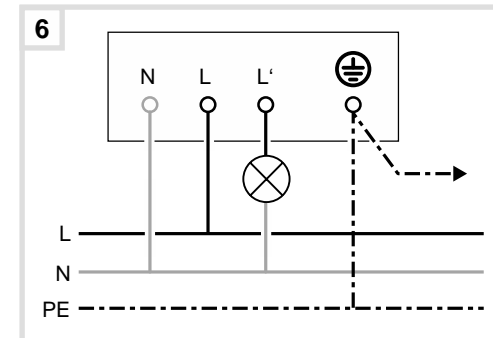
In test mode, the motion detector works with maximum response brightness. If motion is detected, the load is switched for approx. 2 seconds. After approx. 20 cycles, the operating cycles decrease in order to protect the connected load.

- Set potentiometer response brightness (6) to (right end stop) (figure 1/2).
- Set potentiometer delay time (7) to minimal (left end stop) (figure 1/2). The device is in test mode.
- Carry out test by moving in the detection area.  
If the motion detector switches on without motion in the detection area, then sources of interference are present (see Installation location).

### Set delay time

The delay time is the period of time set in the motion detector which is the shortest time that the lighting is switched on when the response brightness is undershot and motion is detected. On delivery, the delay time is set to approx. 3 minutes.

- Turn the delay time potentiometer (7) to the desired position.



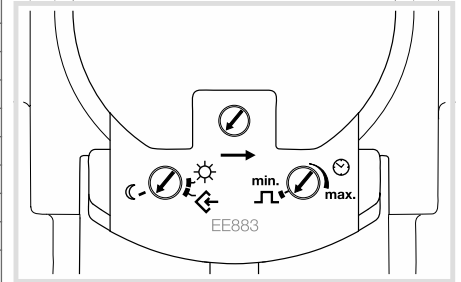
### Hyper Frequency Motion Detector - EE883

#### Technical characteristics

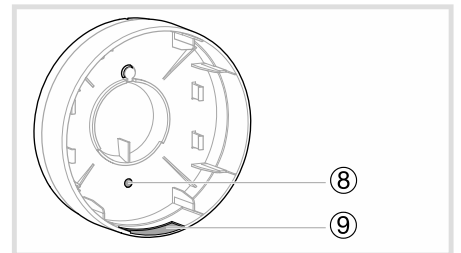
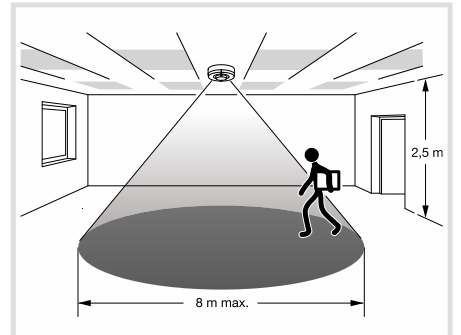
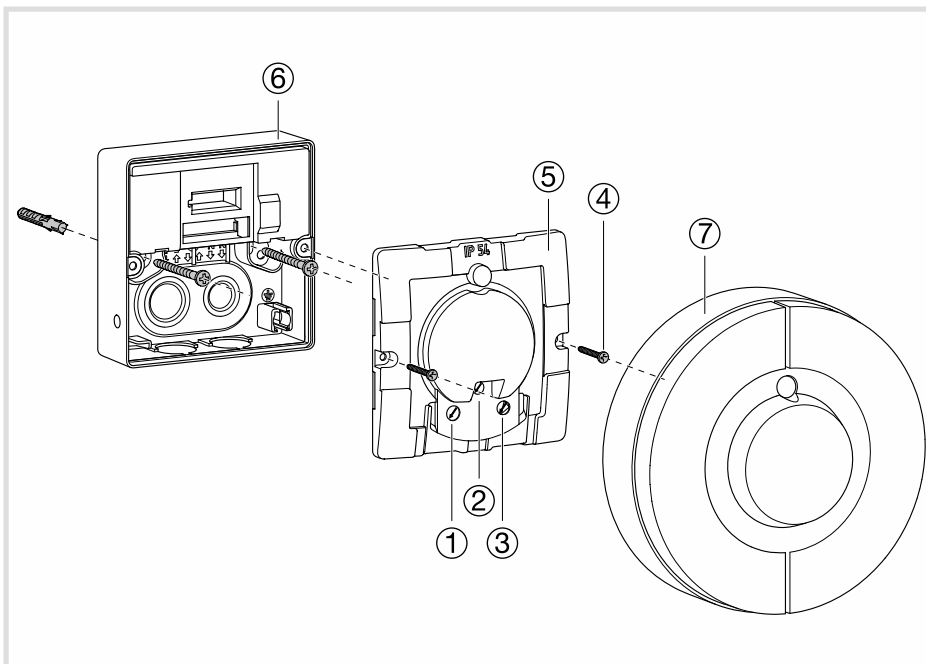
	EE883
Supply voltage	230 V- 50 Hz
Detector frequency	5.8 Ghz + / - 0.075 Ghz
Detection area	360°
Receiver class	2
Standby consumption	1 W
Duration of lighting output operation	5 s... 15 min
Luminosity threshold	2... 2000 lux
Detection sensitivity	1 m... 8 m
Recommended installation height	2,5 m
Fixing accessories	2 screws 4.5 mm Ø and length 50 mm
Operating temperature	-20° C → +50° C
Storage temperature	-35° C → +70° C
Insulation class	II
Protection rating	IP54
Standards	EN 60669-2-1; RF Standard ETSI, EN 300 440-1 V1.3.1
Upstream protection	10 A (T ≤ +35 °C), 6 A (+35 °C < T < +50 °C)
Maximum installation altitude	2000 m
Pollution degree	2
Connection	max 1,5 mm <sup>2</sup>

#### Potentiometer settings

①		Adjustable potentiometer ① detection sensitivity (detection area)
②		Adjustable potentiometer ② luminosity threshold
③		Adjustable potentiometer ③ duration of operation



#### Installation



#### Installation steps

1. Loosen the screws (4) retaining the lid (5)
2. Remove the lid (5)
3. Use 2 screws to fix the box (6) to the ceiling or wall (diameter 4.5 mm and length 50 mm).
4. Wire the detector in accordance with the connection diagrams.
5. Refit the lid (5)
6. Correctly tighten the two screws (4) retaining the lid (5) in order to ensure a good seal.
7. Adjust the potentiometers.
8. Fit the protective cover (7). Be sure to press on the cover to ensure that it clips in place correctly.

#### Important:

The detector requires 10 seconds to initialize after the power is switched on.

In the case of an installation in a wet place, it is necessary to drill the drain hole (8) on the cover.

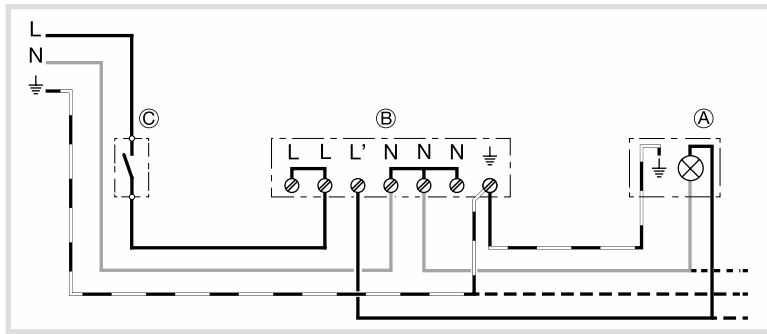
The wires passage (9) can be broken on the cover if necessary.

## Wiring diagrams

Legend

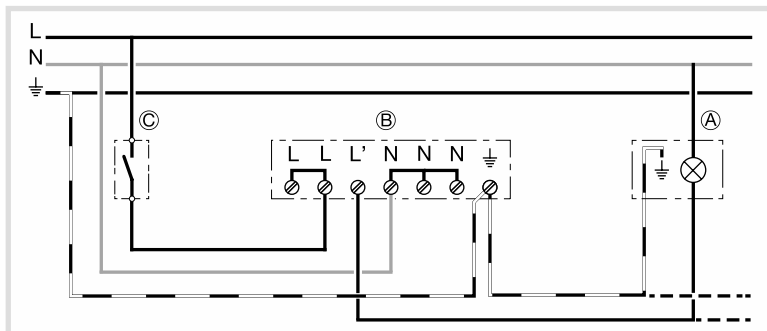
- (A) Lamps
- (B) Detector terminals
- (C) Single switch
- (D) Two switches
- (E) Change over switch

### Lamp connection without neutral conductor



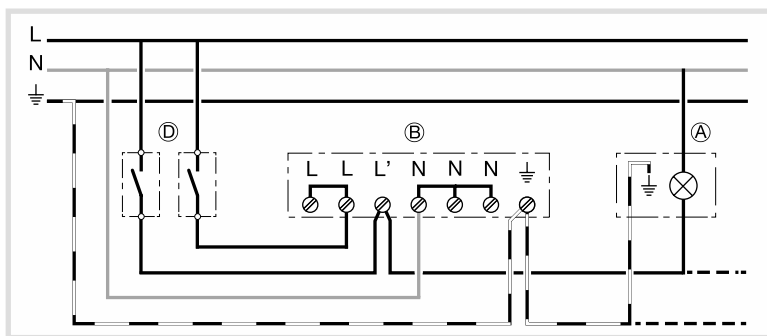
Auto operation by detection or Forced switch-off

### Lamp connection with neutral conductor



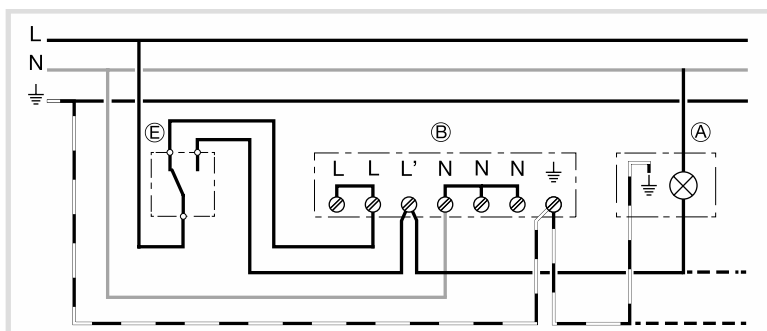
Auto operation by detection or Forced switch-off

### Connection using two switches for manual or automatic control (possibility of simultaneous switch off of the lamp AND the detector)



Auto operation by detection or Forced switch-off  
or Forced switch-on of the lamp

### Connection using a change over switch to operate either the lamp or the detector



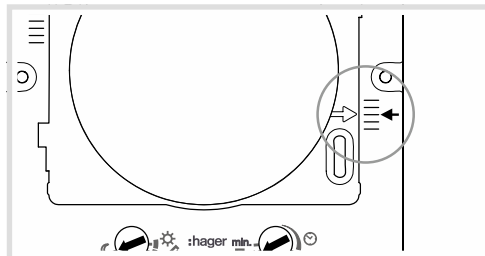
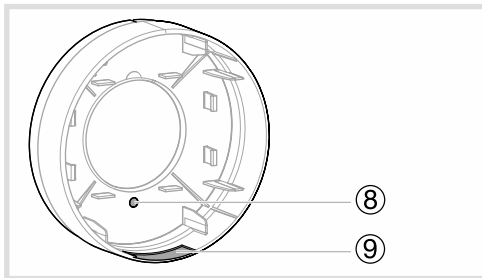
Auto operation by detection or Forced switch-on  
of the lamp

## IR motion detector for Corridors - EE880

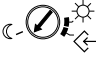
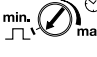
### Technical characteristics

	EE880
Supply voltage	230 Vv 50 / 60 Hz
Detection area	20 m x 4 m
Standby consumption	1 W
Duration of lighting output operation	5 s ... 15 min
Luminosity threshold	2... 2000 lux
Recommended installation height	3 m
Accessoires de fixation	2 screws 4.5 mm Ø and length 50 mm
Operating temperature	-20 °C → +50 °C
Storage temperature	-35 °C → +70 °C
Insulation class	II
Protection rating	IP54
Standards	EN 60669-2-1
Upstream protection	10 A ( $T \leq +35 \text{ °C}$ ) 6 A ( $+35 \text{ °C} < T < +50 \text{ °C}$ )
Maximum installation altitude	2000 m
Pollution degree	2
Connection	max 1,5 mm <sup>2</sup>

### Installation



### Potentiometer settings

- ①  Adjustable potentiometer  
① luminosity threshold
- ②  Adjustable potentiometer  
② duration of operation

### Installation steps

Surface mounting of the EE880

- Loosen the screws (4) retaining the lid (5).
- Remove the lid (5).
- Use 2 screws to fix the box (6) to the ceiling or wall (diameter 4.5 mm and length 50 mm).
- Wire the detector in accordance with the connection diagrams (see "Connections").
- Refit the lid (5).
- Correctly tighten the two screws (4) retaining the lid (5) in order to ensure a good seal.
- Adjust the potentiometers (see "potentiometer settings").
- Fit the protective cover (7). Be sure to press on the cover to ensure that it clips in place correctly

### Important:

The detector requires 10 seconds to initialize after the power is switched on.

### Test Procedure:

To test the operation, set the luminosity threshold to maximum, y, and the duration of operation to minimum, 5 seconds; this will cause the detector to trigger immediately, allowing you to check the operation.

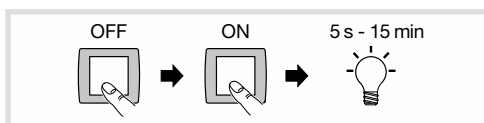
## Operation with detector

1. To turn on the light (if the lamp is at OFF)

- Actuate the switch in the following manner

"OFF" - "ON" i.e. 1 x OFF and ON.

The lamp remains lit for the duration set.



2. To turn off the light (if the lamp is at ON)

- Actuate the switch in the following manner

"OFF" - "ON" i.e. 1 x OFF and ON.

The lamp turns off or returns to detection mode.

## Constant lighting (4 hr)

1. To activate constant lighting

- Actuate the switch in the following manner

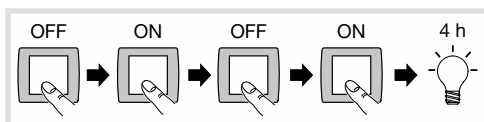
"OFF" - "ON" - "OFF" - "ON" i.e. 2 x OFF and ON.

This process must be completed in less than 1.5 s.

The lamp then switches to constant lighting for 4 hours

(the red LED remains lit). It then returns automatically

to detection mode (the red LED goes off).



1. Deactivating constant lighting:

- Actuate the switch in the following manner

"OFF" - "ON" i.e. 1 x OFF and ON.

The lamp turns off or returns to detection mode.



**Description**

- Hager presence detectors are specially suited for applications like office cabins, conference rooms, cafeteria, class-rooms etc.

**Features & benefits**

- Double lens technology used in hager PIRs offers exceptional standards in infrared detection
- Micro movements are sufficient to switch on and maintain lights on

- Adjustable head orientation allows adapting the detection zone according to rooms configuration
- Lights are inhibited from being switched on if natural light is sufficient in the room
- Direct control of a light load or used as a slave for detection area enlargement
- Lux level and ON delay setting via potentiometers
- Test mode in order to set lux level and the detection area



EE810

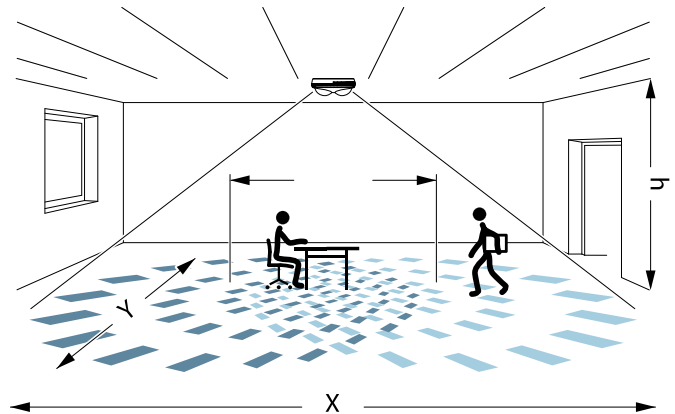
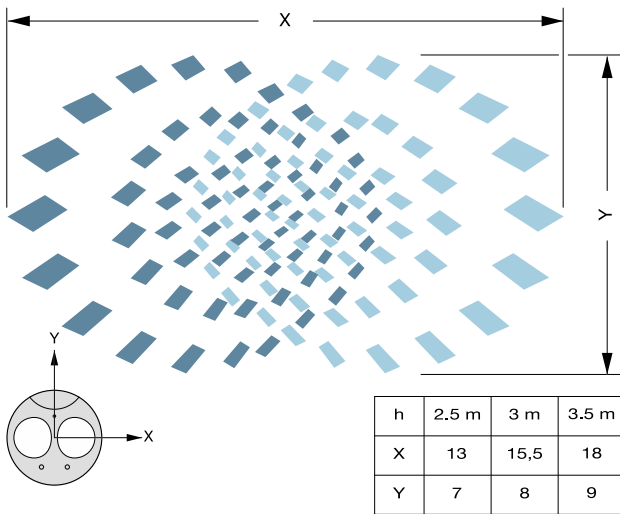


EE816

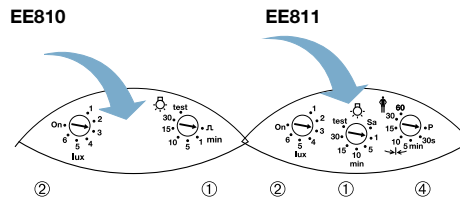
Description	Characteristics	Cat. Ref.
<b>Presence detector 1 channel</b> <ul style="list-style-type: none"> <li>- 1 NO relay output</li> <li>- lux level and On delay defined via potentiometers</li> </ul>	230V~ 50Hz 16A AC1	<b>EE810</b>
<b>Presence detector 2 channels</b> <ul style="list-style-type: none"> <li>- 1 NO relay output for light channel</li> <li>- lux level and on delay defined via potentiometers</li> <li>- Relay output presence channel</li> <li>- on delay presence defined via potentiometer</li> </ul>	230V~ 50Hz 16A AC1  2A AC1	<b>EE811</b>
<b>Presence detector with daylight regulation</b> <ul style="list-style-type: none"> <li>- 1/10V channel for connecting ballast</li> <li>- 3 functional mode                             <ul style="list-style-type: none"> <li>- no regulation</li> <li>- light regulation with local set point</li> <li>- light regulation with remote set point</li> </ul> </li> <li>- Connection of upto 30 dimmable ballast</li> </ul>	30 ballast	<b>EE812</b>
<b>Presence detector monobloc with remote control adjustment</b> <ul style="list-style-type: none"> <li>- One relay output of 16A AC1</li> <li>- Lux level and on delay adjustment on the product and with remote control</li> </ul>	230V~ 50Hz 16A AC1	<b>EE815</b>
<b>Presence detector with daylight regulation</b> <ul style="list-style-type: none"> <li>- DALI/DSI channel for connecting ballast</li> <li>- 3 functional mode                             <ul style="list-style-type: none"> <li>- automode</li> <li>- regulation with local set point</li> <li>- regulation inactive</li> </ul> </li> <li>- 4 scene recall with IR remote control</li> <li>- Lux setting, on delay setting via IR remote or on the product</li> </ul>	Regulation of 24 ballast	<b>EE816</b>
<b>IR remote control for parameter setting of EE815 &amp; EE816</b> <ul style="list-style-type: none"> <li>- Set or modify settings of EE815 &amp; EE816</li> <li>- Multiple settings can be stored in memory</li> </ul>	IR, battery operated	<b>EE807</b>
<b>IR remote control for user to operate EE816</b> <ul style="list-style-type: none"> <li>- Four scene buttons for easy scene recall</li> <li>- ON/OFF, dim up/down button</li> </ul>	IR, battery operated	<b>EE808</b>

## EE810/EE811/EE812

### detection areas



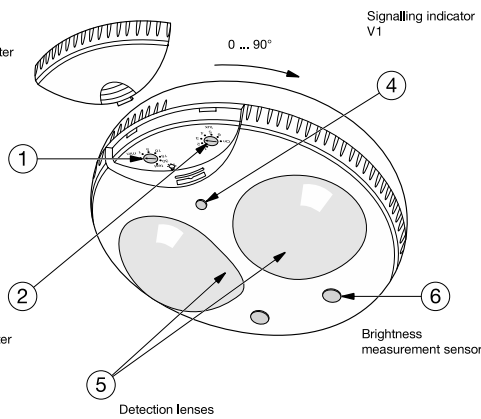
### Adjustment potentiometers



### Description

Lighting time delay adjustment potentiometer

Brightness threshold adjustment potentiometer



① on delay ② light regulation

③ residual lighting  $\bar{A}$  time delay for presence channel (output 2)

- mode 1 :** potentiometer ④ < 10 min; monitoring period = 30 sec before switch off
- mode 2 :** potentiometer ④ > 10 min; monitoring period = 15 min before switch off
- mode 3 :** potentiometer ④ at P; immediate switch off after 2 mins

### Technical specifications

ref.	EE810	EE811	EE812
type	presence detector + movement	presence detector	presence detector + daylight regulation
	1 channel	2 channels	1 channel
<b>supply voltage</b>	230V~ +10%/-15% / 50Hz		
<b>settings :</b>			
output brightness 1/3	potentiometer : auto (400 Lux) 5 to 1200 Lux, OFF		Regulation Inactive :
output temporisation 1	potentiometer : 1 - 30 min, test, impulsions (EE810)		Mode 1
output temporisation 2/3	potentiometer : 30 s - 1 h		Regulation Active : Mode 2
residual brightness	-	-	Mode 3
<b>breaking capacity</b>			
output 1 (lighting)	16 A AC1, incandescent lamps, halogen : 1500 W 10A AC1 fluo with electronic ballast: 580 W fluo parrallel compensated: 290 W/32 $\mu$ F		30 nos. 1-10V ballast
output 2 (presence)	-	2A AC1	-
output 3 (brightness setting)	-	-	-
<b>input command</b>	-	230V commutation	-
50 m max.			
<b>LED</b>	OFF, auto, ON : movement/test		
<b>power consumption</b>	1.2 W	1.1 W	1.2 W
<b>ingress protection</b>	IP41		
<b>connection</b>	1 - 4 mm <sup>2</sup>		
<b>temperature</b>	storage : -10°C to +60°C working : 0°C to +45°C		

### Test mode :

This mode makes it possible to validate the detection area :

- potentiometer in position "test"
- indicator V1 - will indicate any detection by lighting for one second if the level of illumination is lower than the preset threshold. This lighting output S1 is not controlled in this mode, the time settings will remain ignored.

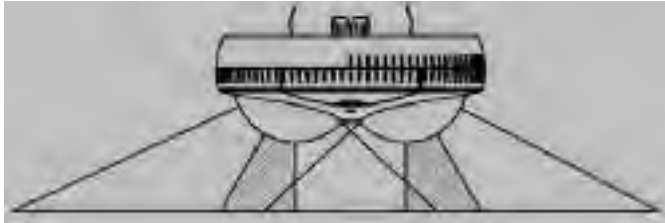
### Instances of lighting levels

position of potentiometer	Lux value	Application
1	5	-
2	100	corridor
3	200	corridor, WC
4	100	VDU work
5	500	offices
6	800-1200	classrooms laboratory
ON	measurement of brightness @inhibited	

regulation set point is set at 400 Lux.

**Presence detection**

Based on a solution patented by hager, the optical part presence detection rests on a double lens making it possible to obtain a zone of rectangular capture. The head of the detector can also swivel to adjust the detection zone. The latter is subdivided in two sections equipped with a density higher than the center and a density to reduce in the direction of length. in the offices, these detectors should thus be assembled directly above the places of work, and in the direction of length for an installation in corridors (zones of circulation).



movement detection	presence detection	movement detection
13 x 7 m (installation max. high 2.5 m)		

**Detection zone**

Covering a rectangular detection zone of 13 x 7m, the Hager presence detectors represent an ideal solution for the offices, classrooms, toilets, corridors, markets and garages. In the event of assembly of two detectors in order to increase the range of detection, it is then recommended to respect a zone of covering of approximately a meter. Only two detectors will be thus necessary to cover a 25m length. A possibility of Master/Slave circuit exists for the communication of only one group of luminaries. The master presence detector EE812 or EE811 measures the lighting and the presence, then commutates and controls the electrical load. Auxiliary presence detectors EE810 detect only the presence and will announce this one to principal, which will carry out commutation and regulate the loads. The diagrams of wiring are illustrated in the respective instructions.

**Assembly**

The behavior of commutation will be determined by the passage of people in the zone of capture of the detector. In exceptional cases, an inopportune commutation can be caused by various influences. The sources of potential parasites should already be evaluated during the study of the project, resp. eliminated before the assembly.

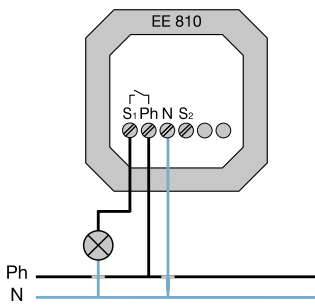
Obstacles decreasing the range of the detector :

- the partition walls, plants or racks, etc can limit the range of detection.

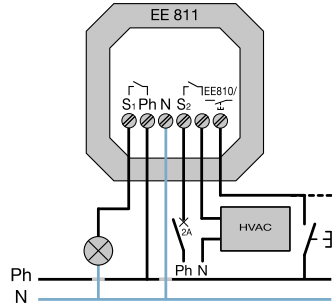
**Simulated movements :**

- the presence detectors capture fast modifications of temperature in the environment of the detector as being movements, for example at the time of or the stop starting of lowers with hot air, ventilators etc when the flow of air is directed directly on the lenses or of the objects near the zone of capture of the detector.
- objects being heated slowly do not have a negative influence and do not cause inopportune commutation.  
A side distance > 0.5m should however be respected.  
Proximity of the conduits of heating and the bodies of radiators.
- luminaries switching on themselves and dying out near the zone of detection can simulate a displacement (p e.g of the lamps incandescence or halogen located at a distance < 1m).
- objects moving such as mobile machines, robots, posters can also cause an inopportune detection.

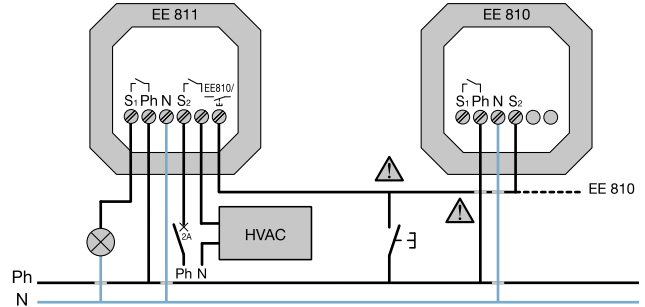
EE810



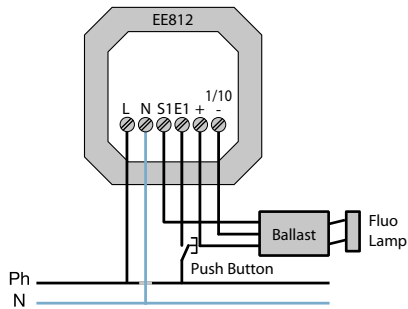
EE811



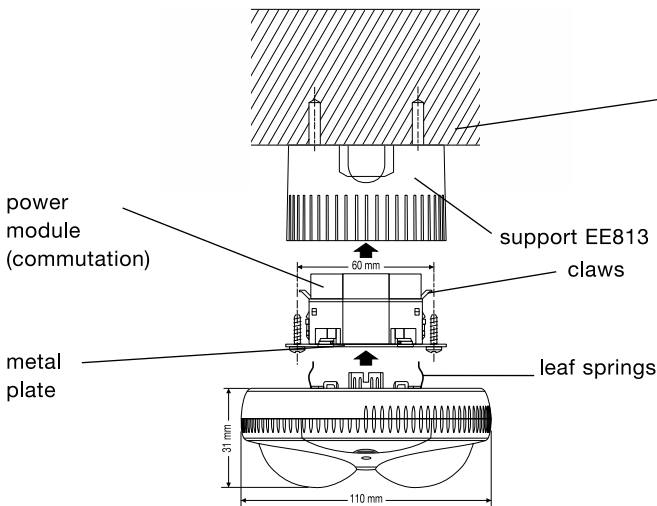
EE811 Master + EE810 Slave



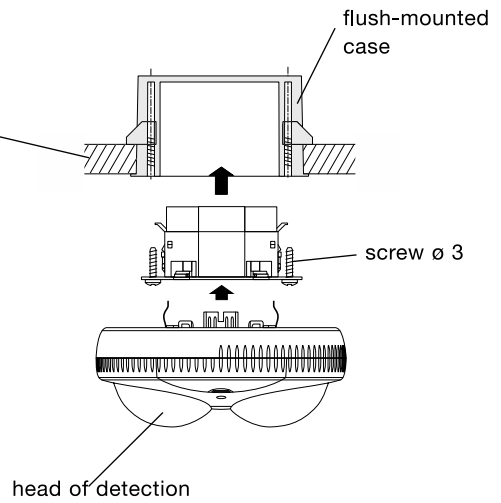
EE812



Apparent assembly



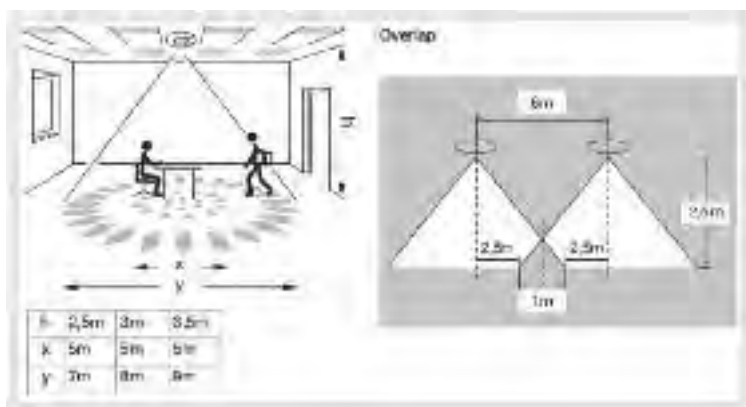
Flush-mounted assembly



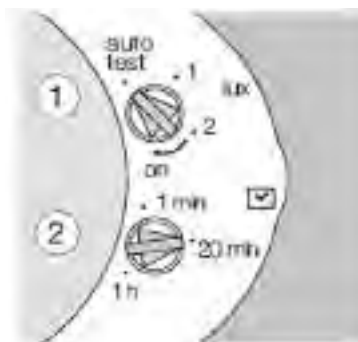
### Technical specifications

	EE815	EE816
Detection range	Movement detection area : Diameter 7m (product installed at 2.5m height) Presence detection area : Diameter 5m (product installed at 2.5m height)	
Supply voltage	230 V AC + 10% - 15%	
Frequency	50 / 60 Hz	
Local lux threshold setting	5 - > 1000 lux	3 modes available
Local time setting	1 min. - > 1h	
Commissioning via installer remote control	EE807 for power up, absence/presence mode, timer, active/passive cell	EE807 for power up, absence/presence mode, timer, active/passive cell
Control with IR user remote control	-	EE808 for ON/OFF override and dimming up/down
Output	16A AC1 relay output (cut live) : - 2300W Incandescent or 230V Halogen : > 26000 cycles - 1500W VLV halogen lamps with ferromagnetic or electronic or transformer : > 35000 cycles - 1000W Fluorescent via electronic ballast : > 39000 cycles - 1000W / 130µF Parallel compensated fluo tubes : > 50000 cycles - 23 x 23W Fluo-compact with electronic ballast : > 20000 cycles	14V / 50mA (for a DALI bus with 24 ballasts) - No isolation between the mains and the DALI bus!
Push button input	Phase input for absence/presence detection (semi-automatic/automatic mode) Same phase as power supply	To dim up/down and absence/presence detection (semi-automatic/automatic mode) Same phase as power supply
Terminals	For 1.5 mm <sup>2</sup> rigid/flexible wires	
Power dissipation	300 mW	60 mW
Isolation class	II	II
Protection	IP41 / IK03	IP41 / IK03
Operating temperature	-10°C to +45°C	-10°C to +45°C
Storage temperature	-20°C to +60°C	-20°C to +60°C
Standards	IEC 60669-1, IEC 60669-2-1, CE Ctick	

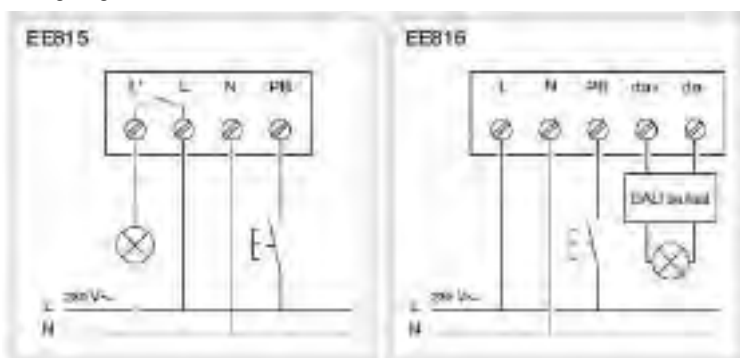
### Detection area



### Setting EE815/EE816



### Wiring diagram EE815 and EE816



## Description

- These devices are made for automatic control of lighting in both the residential, commercial and industrial sectors
- Products are equipped with Fresnel lenses that allow high frontal detection performance and downwards detection:
  - 220° frontal detection zone
  - Twin 220°/360° to detect in a frontal & downwards zone

## Features & benefits

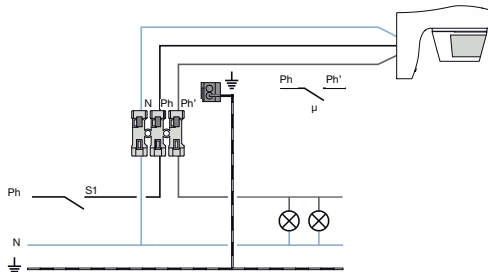
- They automatically switch on lighting when movement is detected
- They turn off the circuit after the preset duration
- They bring comfort and enhance security of exterior areas
- These devices are suitable for outdoor application (IP55) and can be mounted on wall, ceiling and corners
- They provide significant savings in lighting power consumption by illuminating only when necessary
- Time, Lux, sensitivity are achieved locally, via potentiometers
- It's also possible to set the detectors with an IR remote control which provides speed & convenience when setting final adjustments
- Detectors can be mounted in corners utilising the relevant corner mounting accessory

	Description	Characteristics	Cat. Ref.
 EE820	<b>Detector comfort</b>	140°	<b>EE820</b>
	wall mounting		
	230 V 50/60 Hz	200°	<b>EE830</b>
	Lux: 5 to 1000 lux		
	Timer: pulse, 5s to 15 min	360°	<b>EE840</b>
	Contact 10A AC1		
	Corner mounting bracket		<b>EE825</b>
	Ceiling mounting bracket		<b>EE827</b>
 EE825	<b>Detector enhanced</b>	140°	<b>EE850</b>
	wall mounting		
	230 V 50/60 Hz	220°	<b>EE860</b>
	Lux: 5 to 1000 lux		
	Timer: pulse, 5s to 15 min	220° + 360°	<b>EE870</b>
	(30 min with IR remote control.)		
	Sensitivity min. 20%, max. 100%		
	Contact 16A AC1		
 EE870	IR remote		<b>EE806</b>
	Corner mounting bracket		<b>EE855</b>
 EE806			

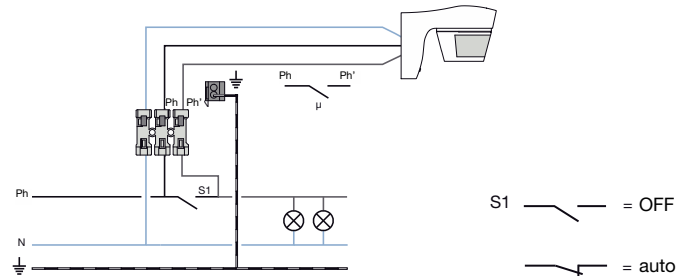
### Technical specifications

	EE820 / EE830 / EE840	EE850 / EE860 / EE870
<b>Functional characteristics</b>		
colour	white	
detection range	140° / 200° / 360°	140° / 220° / 220° +360°
vertical head orientation	tilt 0 to 30°	+90° / -30°
horizontal head orientation	pan ± 80°	
shutters	delivered with the products	
ceiling mounting	w/ accessory EE827 (except EE840)	yes
corner mounting (inner/outer corner)	w/ accessory EE825 (EE855 for EE840)	w/ accessory EE855 white
<b>Settings</b>		
lux setting via potentiometer	5 to 1000 lux	
timer setting via potentiometer	pulse ( 1s ON, 9s OFF) or timer 5s to 15 min	
quick setting	auto/test position	
<b>Electrical characteristics</b>		
power supply	230V AC (+10% / -15%), 50Hz/60Hz	
output	10A AC1 , relay cutted phase	
<b>Load type</b>		
incandescent load	1500W	2300W
VLV halogen lamps with conventional transformer	1500VA	1500VA
fluorescent tubes with parallel compensation C= 32µF	290W	400W
electronic ballast	580W	
fluocompact	10 x 20W	20 x 20W
<b>Environment</b>		
IP	55	
IK	03	
working temperature	-20° C to +55° C	
storage temperature	-20° C to +60° C	
<b>Connection</b>		
terminals	quickconnect with manual release	
terminals capacity	1,5 mm <sup>2</sup> rigid wires	

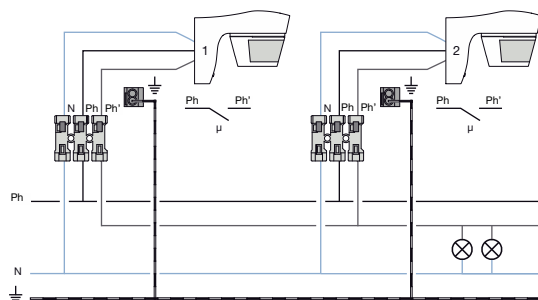
#### Auto/OFF



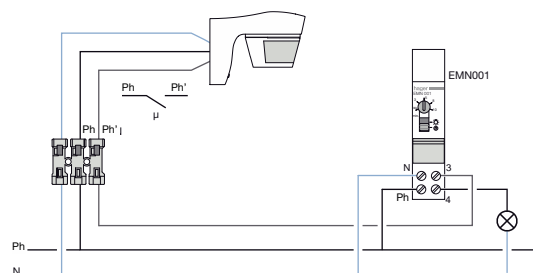
#### Auto/ON



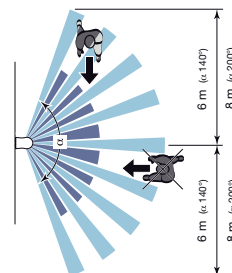
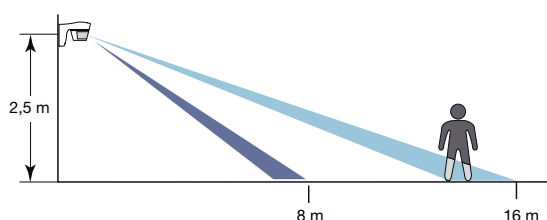
#### Detectors in parallel



#### Combination with a timelag



#### Detection zone



The optimal height of installation is 2,5 m.

The detection field must remain free.

EE82x:  $\alpha = 140^\circ$

EE83x:  $\alpha = 200^\circ$

# LED Floodlight - EE600

## Description

- The LED EE600 floodlight is fitted with a detector sensitive to infrared radiation linked to heat emissions from any moving body.
- The floodlight switches on when a heat emitting body moves within the detection zone. It remains on for the duration configured on the detector and until no further movement is detected in the surveillance zone.
- When first connected, the floodlight illuminates for 45 seconds.
- The parameters are adjustable after this period.


- LED spotlights adjustment horizontally 180°
- LED spotlights adjustment vertically 340°
- Degree of protection IP55
- Plug + Play connector assembly
- Lock for settings on the device
- Operating temperature range -20 to + 45° C

## Features & benefits

- Motion 220-360° C for the local extraction with bottom area protection
- High power LED (60W)
- Low standby consumption
- Wall mounting without accessories
- Detection range: 16 m
- Hide covers to limit detection area in Scope of delivery
- Horizontal lens shift +/- 80°

## Optional remote control EE806 for the settings:

- Time delay
- Brightness value
- Sensitivity
- On Off,
- Rentals
- Holidays
- Auto
- Reset (Factory Reset)
- Test

Description	Characteristics	Cat. Ref.
 <p>LED Floodlight</p>	Detection range - 220-360°	EE600

EE600

# LED Floodlight - EE610

## Description

- The EE610 LED lamp is equipped with a detector sensitive to infrared radiation linked to the emission of heat from any moving body. The detector turns on the lamp when a body that emits heat moves within in its area of detection.


The lamp remains switched on for a duration that has been set for the detector and until it no longer detects movement within the surveillance area.

When first energised, the device illuminates for 45 seconds.

The parameters are adjustable after this period.

## Optional remote control EE806 for the settings:

- fixed time,
- level of luminosity,
- sensitivity (detection area),
- on / off,
- holidays,
- auto,
- reset (return to factory settings),
- test.

Description	Characteristics	Cat. Ref.
 <p>LED Floodlight</p>	Detection range - 140°	EE610

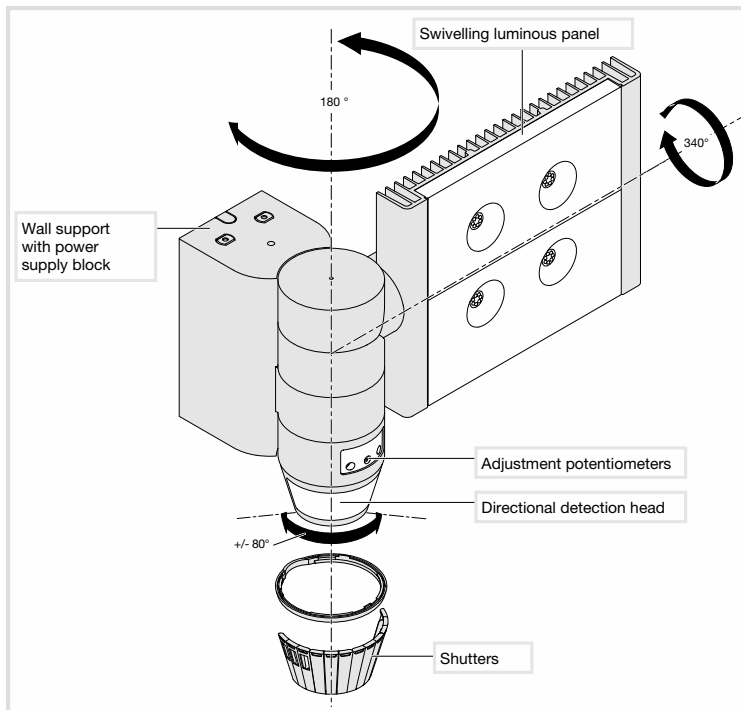
EE610



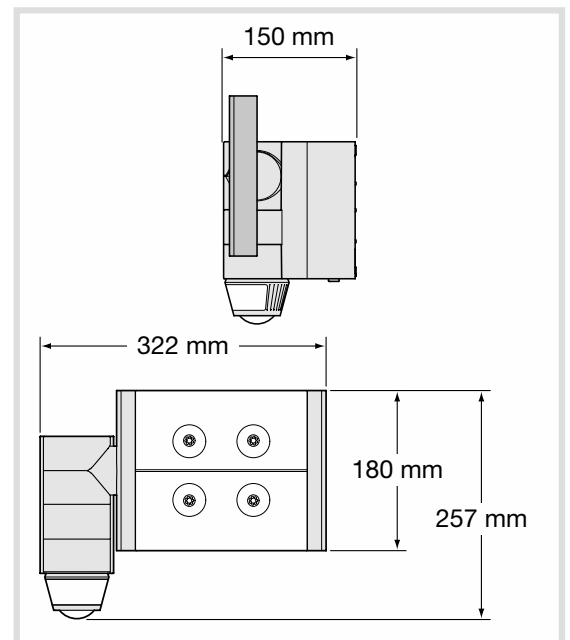
**Technical specifications**

Power	60W
Standby Consumption	0.5W
Light color	5700k
Luminous flux	3400lm
Power Supply	230V AC 50/60Hz
Insulation Class	II
Wiring	1 to 1,5 mm <sup>2</sup>
Protection index	IP55
Functioning temperature	-20° to +45°C
Storage temperature	-20° to +60°C
Detection range	220°/360°
Detection zone	12m
Lux setting	5 to 1000lux
Time setting	5s. to 15min.
Weight	2kg
Dimension	320x150x150mm
Accessories	Adjustable shutters, mounting screws
IR Remote	To be order seperately

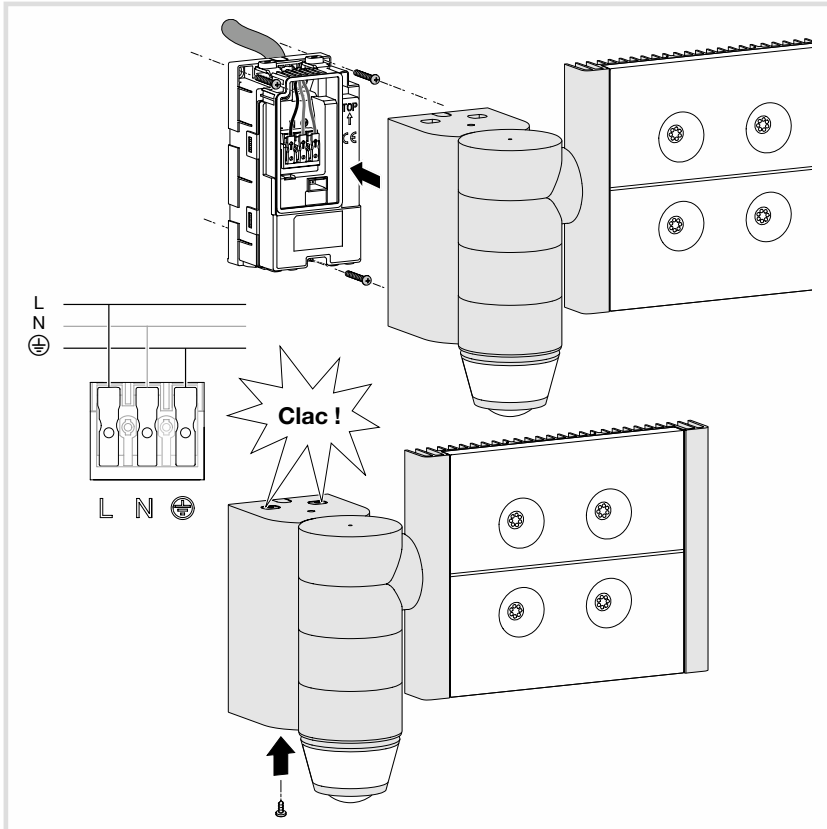
**Description**



**Dimensions**



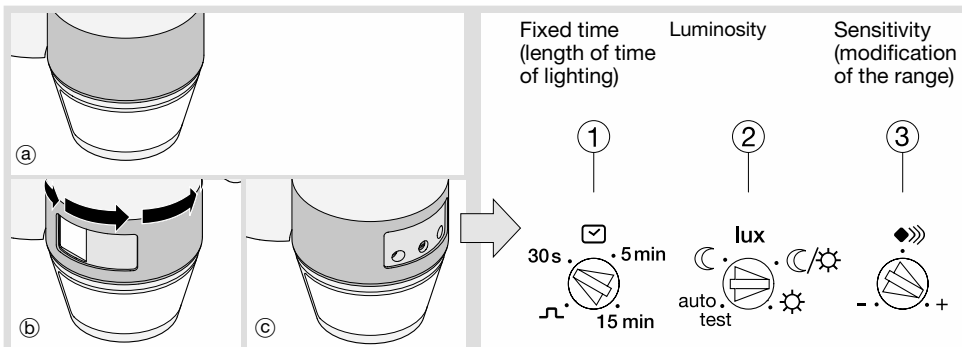
## Installation



Installation steps:

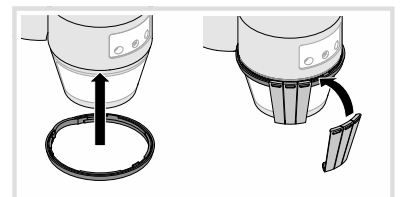
- 1- Screw the block to the wall
- 2- Connect the wires as shown in the diagram
- 3- Clip the projector onto the block (a click confirms the connection)
- 4- Screw the floodlight onto the block (screws located behind the detector head).

## Working



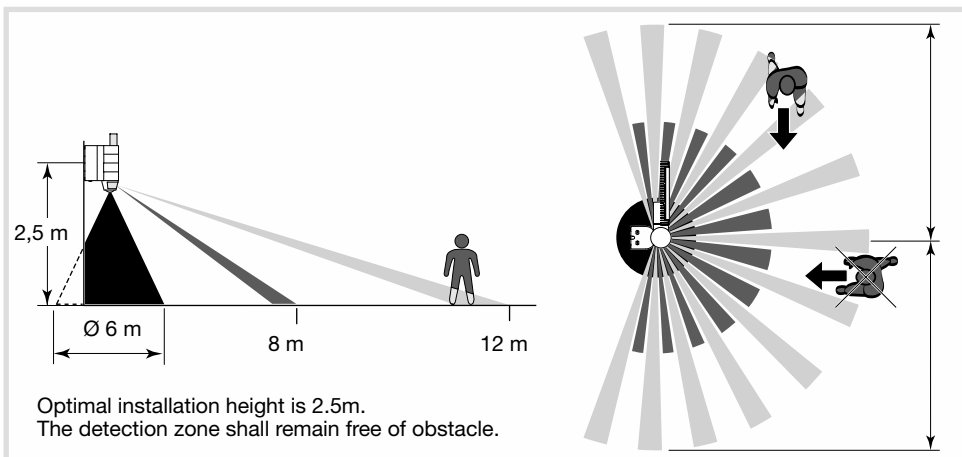
## Testing and validating the detection area

Put the potentiometer 2 on Test mode and if necessary, use the shutters to define the detection zone.



The Test mode is available for 3 min. Every movement detected switches on the light for 1s. After 3 min without detection of movement, the product returns to normal operation.

## Detection area





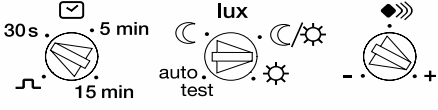

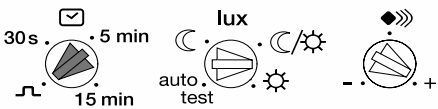
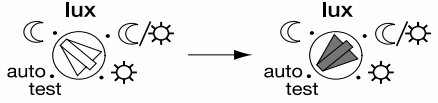

## “Normal” operation (on/off)

The light panel switches on when the luminosity level defined by potentiometer 2 is judged to be insufficient and when a movement is detected.

After detection, the light stays on for the length of time predefined by the potentiometer 1. The fixed timing is reset after each detection.

**Please note:** when the potentiometer 2 is on “auto test”, the settings are predefined (See table on next page).

### Installation Settings:

Action	Settings	Potentiometer
Use Auto settings (factory) or set by the remote control to switch the light automatically for a given time.	<b>Auto Settings</b> Put the Lux potentiometer on "auto test". The settings are predefined : Lux = ☾ (operating at night only) time = 3 min, sensitivity = max.  Remote control settings (Manual Settings inhibited). 	
Automatically switch on the light for a defined time.	<b>Installer settings</b>	
Briefly turn on the light.	<b>Impulse</b>  Auto settings are usable with time = 5 s. (cannot be changed).	
Test and validate the detection zone.	<b>Test mode</b> Move the potentiometer 2 to "auto test". On this position, the remote control can be used. After 3 min without detection of movement, the product returns to normal operation.	
Adjust the sensitivity.	Allows setting the range to avoid disturbance.	

Potentiometer position	Values in lux
☾	≤ 5
☾/☀	≈ 50/ 60
☀	< 1000

### Using the remote control

The detector receives instructions from the remote control when the Lux potentiometer 2 is on the "auto test" position. If the potentiometer is put on another value, the local setting resumes. The LED of the detector lights up to confirm the signal with the remote control.

It flashes quickly for 2 s when an instruction is received and 5 s for a reset. When an instruction is not authorised, the LED lights up for 1s.

### The available settings are :

- fixed time,
- level of luminosity,
- sensitivity,
- on / off,
- holidays
- auto
- reset (return to factory settings)
- test.

### What to do if...

#### The floodlight does not switch on :

- In day/night mode, the twilight setting is set to night only mode.
  - Readjust.
- Incorrect adjustment of the detection zone.
  - Readjust.

#### The floodlight does not switch off :

- Continuous movement in the detection zone.
  - Inspect the detection zone, you may need to readjust the zone or mask part of it.

#### The floodlight continually switches on and off :

- Animals are moving in the detection zone.
  - Adjust the sensitivity.

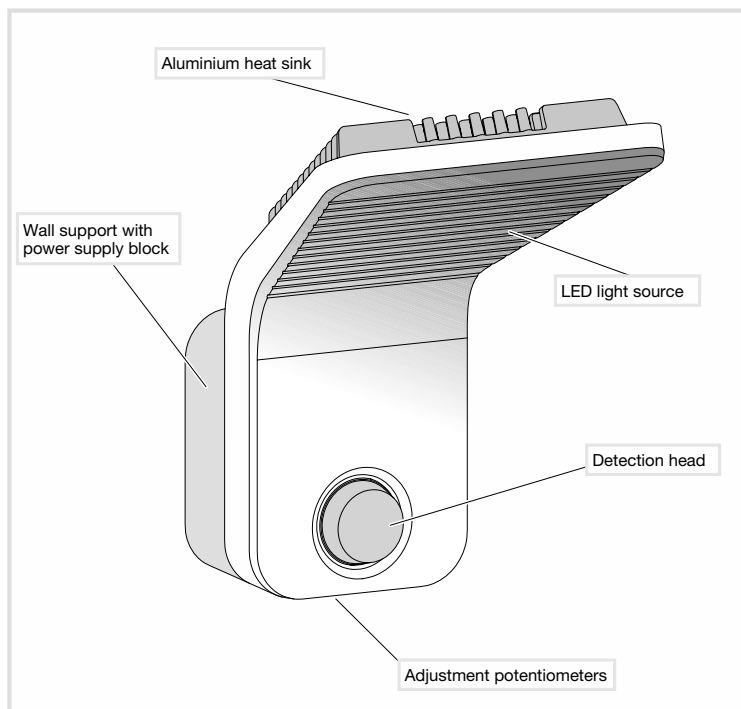
#### The floodlight switches on involuntarily :

- The wind is stirring the trees and bushes in the detection zone.
  - Adjust the zone.
- Cars passing on the road are being detected
  - Adjust the zone.
- Sudden temperature changes due to the weather (wind, rain or snow).
  - Adjust the zone or mount the equipment in a different place.

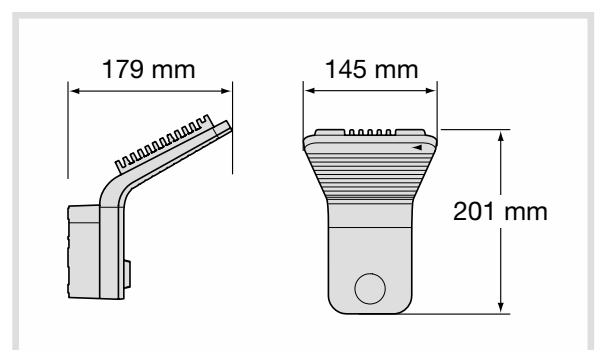
## Technical specifications

Power	around 15 W (75 W luminous energy)
Colour of the light	4000 Kelvin
Luminous flux	1100 lumen
Power supply	230 V AC 50 / 60 Hz
Compulsory protection	10 A gG/gI fuse or 16A circuit-breaker curve C or curve B
Insulation class	II
Recommended cable	U1000R02V3G1.5
Connection without screws (Sanvis) terminals	1,5 ... 2,5 mm <sup>2</sup>
Protection class	IP55
Operating temperature	-25 ... +50 °C
Storage temperature	-30 ... +70 °C
Detection angle	140°
Forward detection distance	6 m (by default) 12 m maximum (with remote control)
Twilight threshold setting	5 ... 1000 lux
Operating duration setting	5s ... 15 min
Accessories	Mounting screws and wall plugs
Standards	EN 60598-2-5 (07/1999) EN 60669-2-1 (08/2004)

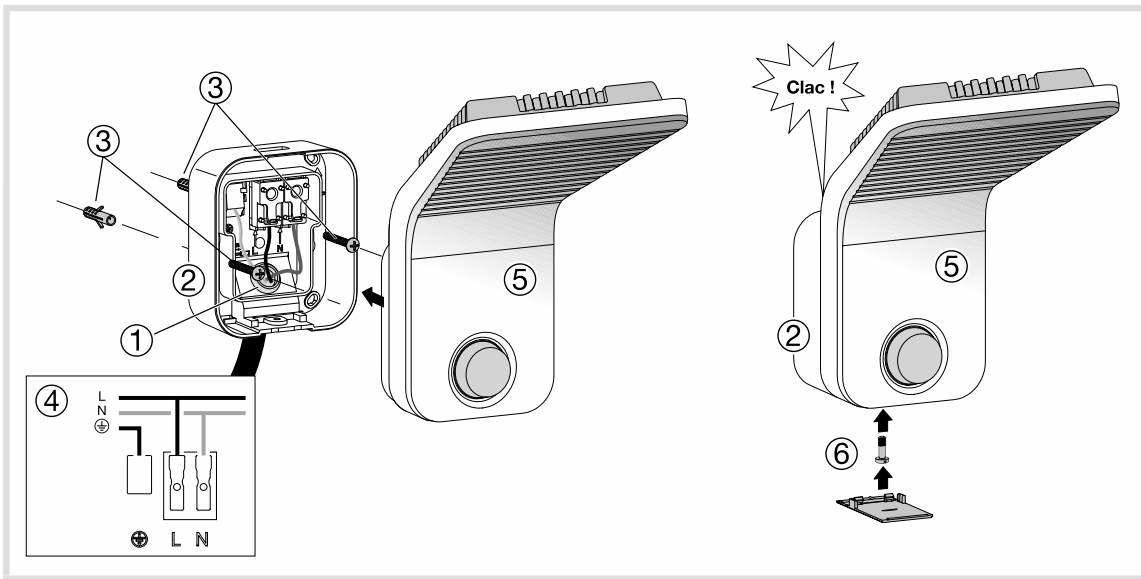
## Description



## Dimensions



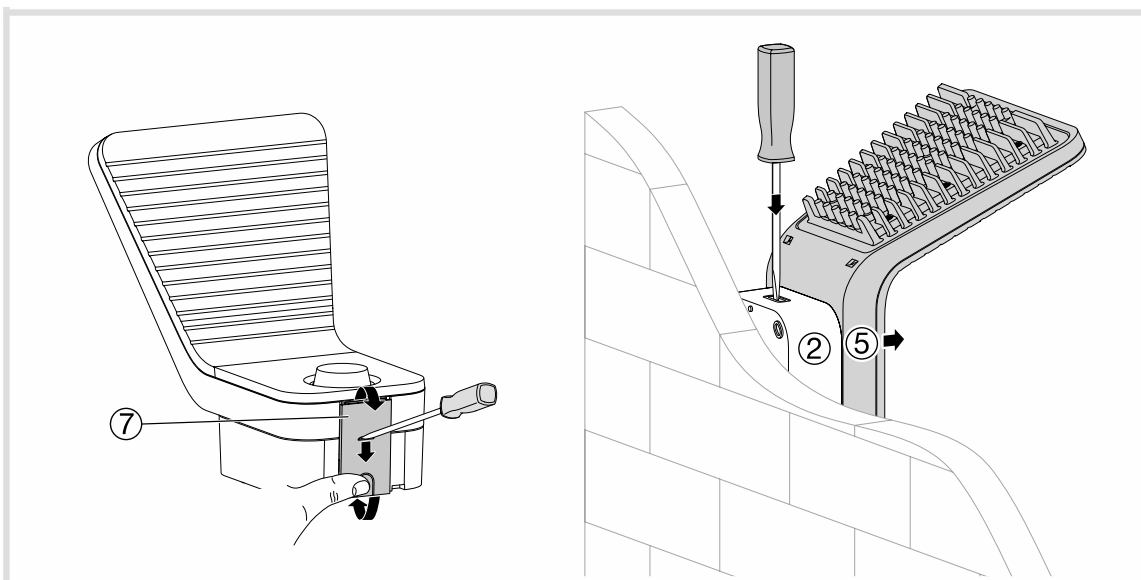
Installation



Installation steps:

- Insert the cable into the cable grommet 1 in order to facilitate access to the cables during assembly.
- Screw the wall plate 2 to the wall using the 2 screws and wall plugs provided 3 .
- Connect the wires as shown in the diagram 4 . The earth terminal is used for earth wire parking only.
- Clip the body of the lamp 5 onto the wall plate 2 (a «click» confirms that the casing is closed).
- Tighten the theft prevention screw 6 located under the LED lamp.
- Carry out the adjustments (see pages 8 and 9).
- Put in place the cover 7 .

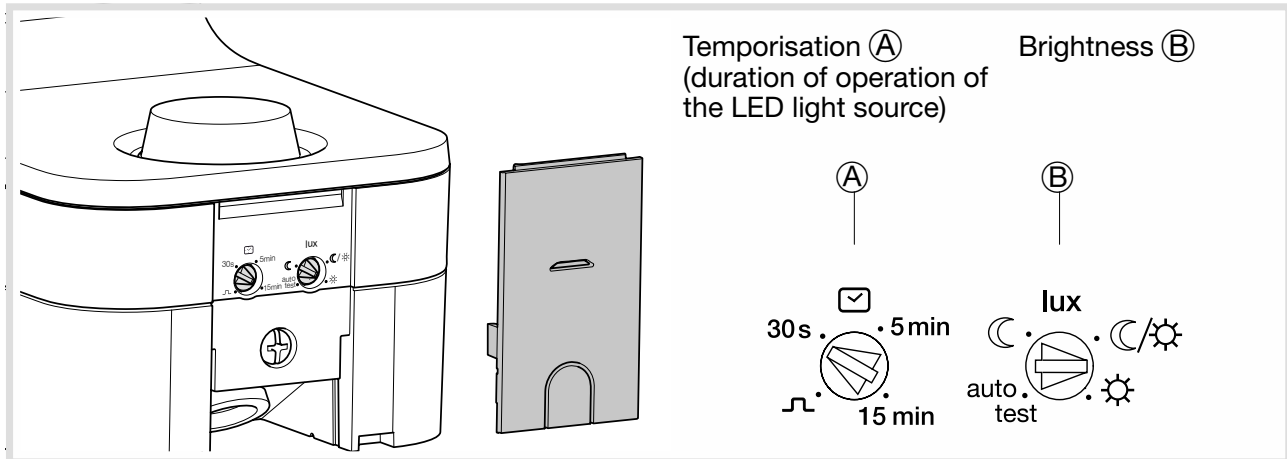
Dismantling



Dismantling steps:

- Place a flat screwdriver in the notch of the cover 7 and push it towards the wall (~ 2 mm).
- Press the rear of the cover, rotate it and remove.
- Loosen the theft prevention screw 6 located under the LED lamp.
- Using a flat screwdriver, press in the upper notch of the product.
- Remove the body of the lamp 5 from the wall plate 2 .

Settings



Testing and validating the detection zone

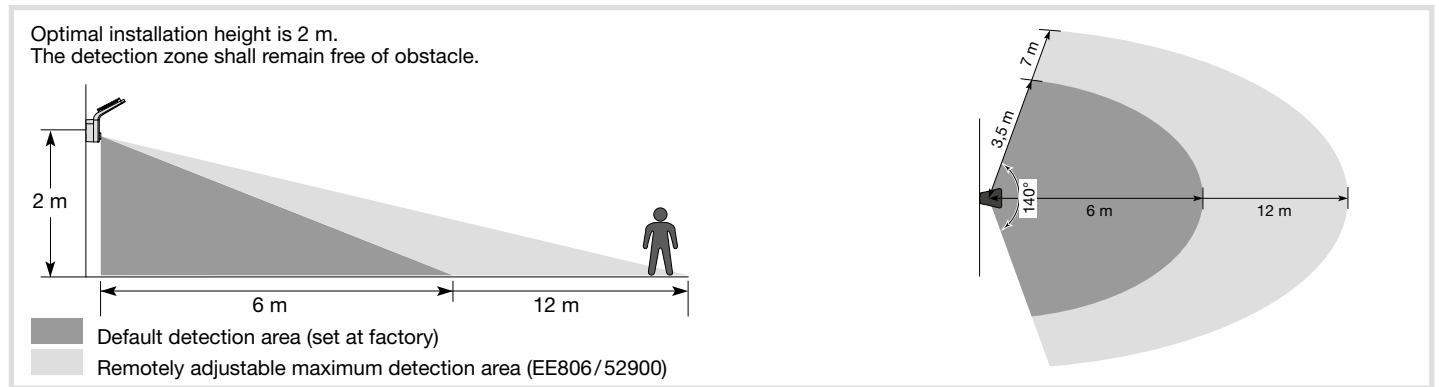
Put the potentiometer B on "test" mode. The "test" mode is available for 3 min. Every movement detected switches on the light for 1s. After 3 min without detection of movement, the product returns to normal operation.

"Normal" operation (on/off)



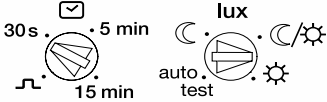

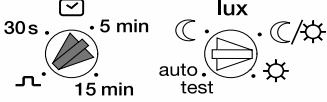
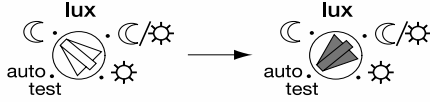
The lamp is lit when the brightness level set by potentiometer B is judged insufficient and a movement is detected. After detection, the light stays on for the length of time predefined by the potentiometer A. The fixed timing is reset after each detection.

Please note : when the potentiometer B is on "auto test", the settings are predefined (see table below).

Detection zone



### Installation Settings:

Action	Settings	Potentiometer
Use Auto settings (factory) or set by the remote control to switch the light automatically for a given time.	<p><b>Auto Settings</b></p> <p>Put the Lux potentiometer on "auto test".</p> <p>The settings are predefined :</p> <p>Lux = ☾ (operating at night only)</p> <p>time = 3 min,</p> <p>sensitivity = max.</p> <p>Remote control settings (Manual Settings inhibited).</p> 	
Automatically switch on the light for a defined time.	<p><b>Installer settings</b></p>	
Briefly turn on the light.	<p><b>Impulse</b> </p> <p>Auto settings are usable with time = 5 s. (cannot be changed).</p>	
Test and validate the detection zone.	<p><b>Test mode</b></p> <p>Move the potentiometer B to "auto test". On this position, the remote control can be used. After 3 min without detection of movement, the product returns to normal operation.</p>	

Potentiometer position	Values in lux
☾	≤ 5
☾/☀	≈ 50/ 60
☀	> 1000

### Using the remote control

(option: ref. EE806 / 52900)

The detector receives instructions from the remote control when the lux potentiometer B is on the "auto test" position. If the potentiometer is put on another value, the local setting resumes.

The LED of the detector lights up to confirm the signal with the remote control.

It flashes quickly for 2 s when an instruction is received and 5 s for a reset.

When an instruction is not authorised, the LED lights up for 1 s.

### The available settings are:

- fixed time,
- level of luminosity,
- sensitivity (detection area),
- on / off,
- holidays,
- auto,
- reset (return to factory settings),
- test.

### What to do if...

#### The lamp does not switch on

- In day/night mode, the twilight setting is set to night only mode.
  - Readjust.
- Incorrect adjustment of the detection zone.
  - Readjust.

#### The lamp does not switch off

- Continuous movement in the detection zone.
  - Inspect the detection zone, you may need to readjust the zone.

#### The lamp continually switches on and off



- Animals are moving in the detection zone.
  - Adjust the sensitivity.

### Description

- The Hager products are suitable for all light sources : incandescent, LV and VLV halogen, fluorescent with dimmable electronic ballast
- Fluocompact dimmable light & dimmable 230V LED lamp with built in supply , very low voltage dimmable LED lamp (12 V to 24 V ) with electronic ballast ,(300 W & 500 W dimmer )
- Control possible by illuminated pushbutton until 5mA
- Pilot function for 1-10V slave dimmers or ballast
- Scene inputs
- Control by several push buttons for 300W dimmers
- Universal products with automatic recognition of the load type (inductive / capacitive) for 500W & 1000W dimmers
- Electronic protection against overheating and overload
- Indicators : 230V / overheating / overload
- Load teaching, dimming mode, over ride & comfort features available in 300W & 500W dimmers

### Features & benefits

- Dimming controlled by bell push switch :
  - start/stop by short press
  - increasing/decreasing by maintaining pressure
- Softstart (progressive start) to increase the lifespan of lamps
- Memorisation of last dimming level
- Protection against overheating


	Description	Characteristics	Modules	Cat. Ref.
 <p>EVN012</p>	<p><b>Universal Dimmers 300 W</b></p> <p>for :</p> <ul style="list-style-type: none"> <li>- incandescent 230 V</li> <li>- halogen 230 V</li> <li>- VLV halogen lamps with :</li> <li>- dimmable electronic transformer</li> <li>- dimmable fluocompact lamps with 230V built in ballast</li> <li>- 230V dimmable LED lamps</li> <li>- dimmable VLV LED lamps via electronic ballast</li> </ul>	<p>300 W / VA</p> <p>230 V / 50 Hz</p> <ul style="list-style-type: none"> <li>- products with load teaching feature</li> <li>- dimming override made for different load</li> <li>- comfort features for dimming                             <ul style="list-style-type: none"> <li>- progressive switch off</li> <li>- night light</li> <li>- 100%</li> <li>- no function</li> </ul> </li> </ul>	1	<b>EVN012</b>
 <p>EVN004</p>	<p><b>Enhanced universal dimmer 500 W</b></p> <p>for :</p> <ul style="list-style-type: none"> <li>- incandescent 230 V</li> <li>- halogen 230 V</li> <li>- VLV halogen lamps supplied by ferromagnetic or dimm-able electronic transformer (cos j <math>\geq</math> 0,95)</li> <li>- dimmable fluocompact lamps with 230V built in ballast</li> <li>- 230V dimmable LED lamps</li> <li>- dimmable VLV LED lamps via electronic ballast</li> </ul>	<p>500 W / VA</p> <p>230 V / 50 Hz</p> <ul style="list-style-type: none"> <li>- products with load teaching feature</li> <li>- dimming override mode for different load</li> <li>- comfort features for dimming                             <ul style="list-style-type: none"> <li>-- scene</li> <li>-- time delayed scene</li> <li>-- progressive switch off</li> <li>-- Night light</li> </ul> </li> <li>- recall mode with pushbutton</li> <li>- scene level setting by push button</li> </ul>	2	<b>EVN004</b>





EV102

Description	Characteristics	Modules	Cat. Ref.
<p><b>Universal dimmer 1000 W with scene inputs</b></p> <ul style="list-style-type: none"> <li>- Functional selection mode via local switch :               <ul style="list-style-type: none"> <li>-- control via pushbutton (local)</li> <li>-- remote control via 1/10V (slave)</li> <li>-- control of the other dimmers via 1/10V (master)</li> </ul> </li> <li>- Display to show the dim level and to set the parameters:               <ul style="list-style-type: none"> <li>-- dimming rise time (4s ..99s)</li> <li>-- min dim level (0...49%)</li> <li>-- max dim level (51..99%)</li> <li>-- rise time when switching ON (1s..99s)</li> <li>-- fall time when switching OFF (1s..99s)</li> <li>-- scene level</li> <li>-- dimming rise time for each scene</li> <li>-- scene working mode : recall or override mode</li> </ul> </li> <li>- Output contact to display the dim state (load is OFF, contact is opened, if load is dimmed the contact is closed)</li> <li>- LED indication :               <ul style="list-style-type: none"> <li>-- 230V power supply / load error</li> <li>-- overload / overheating</li> </ul> </li> </ul> <p><b>Load type :</b></p> <ul style="list-style-type: none"> <li>- incandescent</li> <li>- 230V halogen lamps</li> <li>- ELV halogen lamps associated to ferromagnetic transformer (inductive)</li> <li>- ELV halogen lamps associated to electronic transformer (capacitive)</li> </ul>	<p>230 V ~ / 50 Hz</p> <p>20 ...1 000W</p> <p>1/10V-input/output (max. 50mA, 30 EV102) defined via the local switch</p> <p>Contact output : 1 NO, 250V ~, <math>\mu</math> 5A</p>	<p>5</p>	<p><b>EV102</b></p>

	Description	Modules	Cat. Ref.
	<p><b>1/10V pilot dimmer with scene input</b></p> <ul style="list-style-type: none"> <li>- To control EV102 (max. 30)</li> <li>- To dim electronic ballasts</li> <li>- Wiring of illuminated pushbuttons possible up to 5mA</li> <li>- Display to show the dim level and to set the parameters:                             <ul style="list-style-type: none"> <li>-- dimming rise time (4s ..99s)</li> <li>-- min dim level (0..49%)</li> <li>-- max. dim level (51..99%)</li> </ul> </li> </ul> <p>Contact output to display the dim state (load is OFF, contact is opened, if load is dimmed the contact is closed). It is used to switch ON/OFF the electronic ballast</p> <ul style="list-style-type: none"> <li>- Scene inputs used for override (3 levels) or simple recall (2)</li> <li>- For each scene                             <ul style="list-style-type: none"> <li>-- dimming rise time</li> <li>-- scene level</li> <li>-- and scene mode (recall or- override)</li> </ul> </li> </ul>	4	<b>EV108</b>

EV108

## Time lag switch


### Description

- A staircase time lag switch allows you to switch on the lights during an adjustable time. After the time lag, the lights switch off automatically.

### Features & benefits

- Time delay setting from 30 seconds to 10 minutes
- Automatic & manual mode (for manual override)
- 4 different mode of operations
- In prewarning mode (B) the light blinks before end of lighting ON period

- In double delay mode (C)
- The time lag can be extended to one hour pressing bell push switch for more than 3 sec.
- In mode D prewarning at the end of lighting ON period and extending of time lag period upto 1 hour is possible

	Description	Characteristics	Modules	Cat. Ref.
	<p>Time lag switch for automatically switching off lights after adjustable time lag.</p>	<ul style="list-style-type: none"> <li>- Basic staircase time lag switch</li> <li>- Pre warning mode</li> <li>- Double delay mode</li> <li>- 30 sec to 10 min or 1 hour adjustable time lag</li> <li>- Double delay with pre warning</li> <li>- Contact <math>\mu</math> 16 A 250 V AC1</li> </ul>	1	<b>EMN005</b>

EMN005



functioning as a standalone product  
**300W    500W    1000W**

functioning in system : association of dimmers with 1/10V  
 max 30 x 1kW

Incandescent/halogen 230V



EVN012  
 EVN004  
 EV102 switch to "local" position

EV102 pilot : switch to "master" position

EV102 + n x EV102 (slave position)

Halogen VLV (12 or 24V) ferromagnetic transformer suitable for dimming.  
 The transformer shouldn't be used with less than 75% of nominal load.

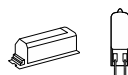


EVN012  
 EVN004  
 EV102 switch to "local" position

EV102 pilot : switch to "master" position

EV102 + n x EV102 (slave position)

Halogen VLV (12 or 24V) via electronic transformer



EVN012  
 EVN004  
 EV102 switch to "local" position

EV102 pilot : switch to "master" position

EV102 + n x EV102 (slave position)

Dimmable VLV (12 or 24 V) LED lamp via electronic transformer

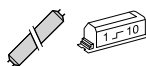
EVN012  
 EVN004

Dimmable fluocompact lamps with  
 230V built in ballast  
 230V dimmable LED lamps

EVN012  
 EVN004

1/10V control (output only)  
 fluo with electroballast 1/10V

Input 1/10 V, 50 mA



EV108 with scene inputs

	300 W	500 W	1000 W	Pilot 1/10 V
<b>Technical features</b>	EVN012	EVN004	EV102	EV108
<b>Controls available</b>				
- on the product	-	-	yes	yes
- external with illuminated pushbutton	yes	yes	yes	yes
- input 1/10 V	-	-	yes (slave)	-
- ambient lighting setting	-	1	2 levels	2 levels
<b>Types of outputs :</b>				
- direct (capacitive/inductive load)	yes (only capacitive)	yes	yes	-
- input 1/10 V	-	-	yes (master)	yes
<b>Functions :</b>				
- protection overheating / overloads	yes *	yes	yes	yes
- level indicator	-	-	yes	yes
- memorisation	yes	yes	yes	yes
- softstart	yes	yes	yes	-
<b>Parameter setting :</b>				
- mini, max. level	-	-	yes	yes
- dimming speed	-	-	yes	yes
- speed at start / stop	-	-	yes	yes
- transition speed for level call	-	-	yes	yes

dimmer 300 W



EVN012

universal dimmer 500 W



EVN004

system dimmer  
 universal dimmer 1000 W



EV102

system dimmer  
 1-10 V pilots



EV108

## Choice of dimmers according to : lighting sources, dimming ranges and other characteristics

lighting source	functioning of a standalone product					functioning in a system (association of dimmers)		
	0 W	20 W	60 W	100 W	300 W	500 W	1000 W	30 x 1 kW
halogen or incandescent lamps 230 V 	EVN 012							
	EVN 004							
	EV 102					EV 102 (Master position) + n EV 102 (Slave position)		
VLV halogen lamps supplied by ferromagnetic transformer 	EVN 012							
	EVN 004							
	EV 102					EV 102 (Master position) + n EV 102 (Slave position)		
VLV halogen lamps supplied by dimmable electronic transformer 230V (cos w > 0,95) 	EVN 012							
	EVN 004							
	EV 102					EV 102 (Master position) + n EV 102 (Slave position)		
dimmable fluo compact lamps with 230 V built in ballast 230 V dimmable LED lamp 230V built-in	EVN 012						60W	
	EVN 004						100W	
dimmable VLV LED lamps via electronic ballast	EVN 012						300W	
	EVN 004						500W	

## Choice of pilot dimmers for direct control via 1/10V transformers or electronic ballast

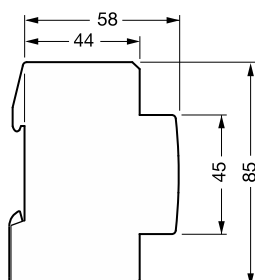
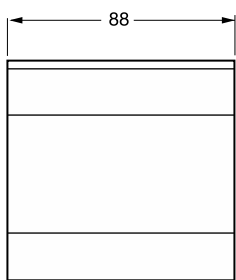
lighting source	0 W	30 kW
VLV halogen lamps supplied by 1/10V variable transformer fluorescent lamps or compact fluo lamps with electronic ballast variable in 1/10V 	EV 108* pilot 1/10 V multi-dimming (a call of memorized levels)	
	* conditions to respect : a) $S I_{(ballast\ 1/10\ V)}$ , 50 mA    b) $S I_{(ballast + lamp)}$ , 10 A / AC1	
	example : for the lighting of a hall 30 tubes of 2x36W are requested characteristics of used ballasts : $I_{(ballast\ 1/10\ V)} = 1\ mA$ $I_{(ballast + lamp)} = 0,31\ A$ calculation : $S I_{(ballast\ 1/10\ V)} = 30\ mA, 50\ mA$ $S I_{(ballast + lamp)} = 9,3\ A, 10\ A$	
	After checking, 1 x EV 106 or EV 108 can pilot this installation	

## Choice of dimmers for functioning in a system

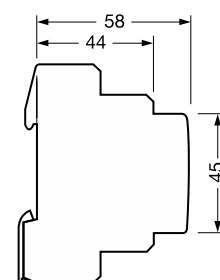
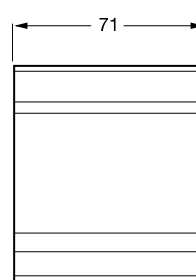
to control high powers	dimmer EV 102 (master position)+EV102 (slave position)
	* conditions to respect : a) $S I_{(ballast\ 1/10\ V)}$ , 50 mA or maximum 30 dimmers
	example : total power to dim : 8.6 kW requested products: 1 x EV 102 and 8 x EV 100 = 9 kW

## Dimensions

dimmer EV 102



dimmers EV 108



### Technical specifications

products	EVN 012	EVN 004	EV 102
dimming range	at 45 °C, 1-100%	at 45 °C, 1-100%	
width (in modules)	1	2	5
supply voltage	230 V (+10 % -15%) 50 Hz		
power dissipation	2.1 W	4.5 W	15 W
dimming principle : - cut off at beginning of sequence (triac) - cut off at end of sequence (transistor)	universal load teaching	universal, automatic load recognition	
<b>switching capacity</b>			
230V halogen or incandescent lamps	300 W	500 W at 45°C	1000 W
VLV halogen ferromagnetic transformer	300 W	500 W at 45°C	1000 W
VLV halogen dimming electronic transformer (cos $\phi$ 0.95)	300 W at 45°C	500 W at 45°C	1000 W
several circuits, total load > 1000 W functioning in system	-	-	EV 102 in master position + 30 EV 102 in slave
1/10 V potentiometer control	-	-	yes slave position of potentiometer 100 kW, 200 mW logarithmic
Dimmable fluocompact lamp and LED with 230 built in ballast (Driver)	60 W	100 W	
Dimmable VLV LED lamps via electronic ballast	300 W	500 W	
<b>Functional characteristics</b>			
on product (dimming function)	-		2 bell push
by remote bell push	yes	yes	
by luminous bell push	yes spacing current 5 mA		
ambient level		1 level *	2 levels *
levels priority settings			3 levels **
display of dimming level			yes 0 to 99 %
<b>Other characteristics</b>			
mini / maxi setting			mini 1 to 49 % max 51 to 99 %
output contact for state indication	no		1 contact NO 5 A ACI 230 V DC1 12 V mini 0,1A
memorizing of level and softstart	yes		
protection against overheating	electronic		
protection against short-circuits	electronic		
maximum length for input bell push or 1/10 V connection	50 m maxi		
connection : flexible rigid	cage clamps 1 to 6 mm <sup>2</sup> 1.5 to 10 mm <sup>2</sup>		
environment : storage temperature working temperature	-20 °C to +60 °C -10 °C to +35 °C	-20 °C to +60 °C -10 °C to +45 °C	-20 °C to +70 °C -10 °C to +40 °C

(\*) Level setting from 0 to 99%. Call of level by pushbutton. Priority setting of level by maintained control (switch).

(\*\*) 3 ambient levels are available in priority setting mode :

- level 1 if contact E1 is closed
- level 2 if contact E2 is closed
- level 3 if contacts E1 + E2 are closed

### Requirements :

- To calculate the maximum number of lamps, it is necessary to take into account the power loss of ferromagnetic transformers (around 20%)  
The transformer should not be used at less than 75% of its nominal load.
- Electronic transformers : take into account approximately 5 % power loss.
- Respect recommendations of manufacturer of the lightings.
- Compact fluorescent lamps with integrated ballast can not be dimmed.

## Technical specifications

<b>Products</b>	EV 108
width (in modules)	4
supply voltage	
power dissipation	3 W
output contact	
load system 1/10 V	output 1 /10 V max 50 mA (electronic ballast) or 30 EV 102 ; maximum cable connection 1/10 V : 50 m
display of lighting level and setting up	yes dimming level from 0 to 99 % easy for programming and for checking all the settings
<b>functional characteristics</b>	
on product ON / OFF - by local pushbutton - by illuminated pushbutton wiring length	1 bell push
ambient level (scenes) call scene by pushbutton priority setting by switch scene settings	2 inputs = 2 or 3 levels 2 available levels 3 levels from 0 to 99 % E1 and E2 closed = level 3
<b>dimming speed</b>	
normal dimming by bell push	dimming rise time from 4 to 99 seconds from level 0 to 100 %
dimming speed at start - dimming speed at stop - speed to reach ambient level	0 to 99 seconds (duration from 0 to 100 %) 0 to 99 seconds (duration from 100 to 0 %) this parameter defines the speed used o reach the scene level (100%) : 0 to 99min. 59s
mini / maxi setup	
soft start and memorization of last level	
connection : flexible rigid	
environment : storage temperature working temperature	

\* Values seized in always correspond to the time needed to go from 0 to 100% : dimmer reads this signal as a slope (or speed) of constant dimming

Ex. : to go from 50% to 100% in 30 minutes @ rate 60 minutes to go from 0 to 100% that is to say 30 minutes to go from 50 to 100%

### Dimming principle

Only one button is needed for dimming controls (increasing, decreasing) and switching on and off.  
 Quick push on button for switch on and off (principle of latching relay). Start always on last memorized level.  
 Dimming is obtained by maintaining push button. A new push on button will invert the dimming sense.

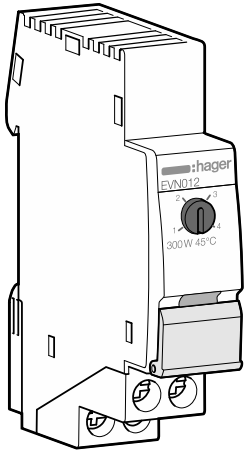
Functions	EVN 012	EVN 004	EV 102	EV 108	
Power indication LED			-	-	red LED switches on to indicate 230V supply
Protection against overheating	-	-	-		integrated electronic protection. By overheating, the available power and luminosity are reduced. To avoid this phenomenon : separate dimmers with a blanking clip and/or reduce the connected load.
overheating LED			-		yellow LED switches lights on by overheating
protection against short-circuits	-	-	-		an electronic self-resetting system protects dimmers against short-circuits of load
memorization of lighting level	-	-	-	-	last dimming level is memorized last level is restored at next start
softstart function	-	-	-	-	progressive start, increases lifespan of lamps
output contact			-	-	state indicator function EV 102, or loading switch EV 108
functioning in a system - Master (output 1/10V)  - slave (input 1/10 V)			- -	-	master products pilot other dimmers or electronic ballasts via 1/10V connection product piloted by 1/10V connection
ambient lighting level(scenes)		-	-	-	EVN 004 1 input, EV 102 and EV 108 2 inputs
call scene with push button		-	-	-	dimming at setted speed to obtain called level
priority setting of scene by switch			-	-	dimming at set speed to obtain called level Contact closed = priority setting. Dimmer calls previous level by opening of contact (mode 2)
spacing current	-	-	-	-	push button with LED until 5mA
dimming control on product			-	-	control by 1 or 2 push buttons according to product
<b>Setup</b>					
switching master/slave			-		EV 102, "local" stand-alone, "slave" or "master" system
mini/maxi setup			-	-	mini/maxi setup by display, except EV100 (potentiometer) mini 1 to 49 %, maxi 51 to 99 %
dimming speed			-	-	time needed for dimmer starting from normal state to go from 0 to 100 % by push button ; setup from 4 to 99 seconds
dimming speed at start			-	-	setup from 0 to 99 seconds to go from 0 to 100%
dimming speed at switch off			-	-	setup from 0 to 99 seconds to go from 0 to 100%
time needed to obtain a dimming level (scene)**			-	-	setup from 0 to 99 minutes and 59 seconds to go from 0 to 100%
call scene selection or priority setting scene			-	-	selection scene call (mode 1) or priority scene setting (mode 2) is available for each input
setup of dimming levels (scenes)		-	-	-	setup from 0 to 99% and by push button

\* fuse integrated

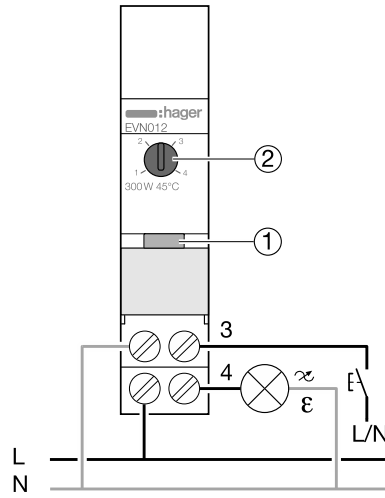
\*\* values set always correspond to the time needed to go from 0 to 100% : dimmer reads this signal as a slope (or speed) of constant dimming

Ex. : to go from 50% to 100% in 30 minutes @ rate 60 minutes to go from 0 to 100% that is to say 30 minutes to go from 50 to 100%

## Universal dimmer 300W EVN 012

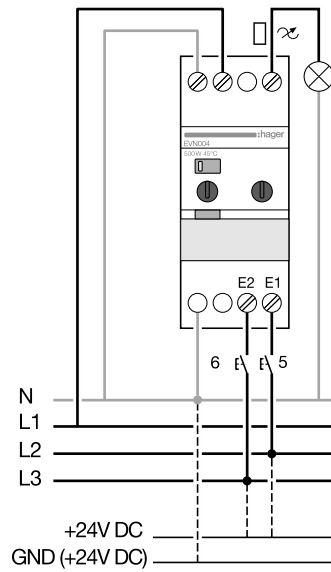
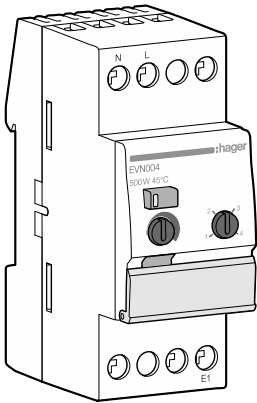


All our dimmers are compatible with pushbuttons



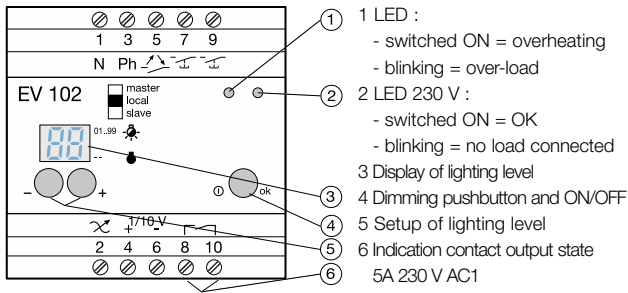
Use the same phase for control and supply

## Universal dimmer 500W EVN 004



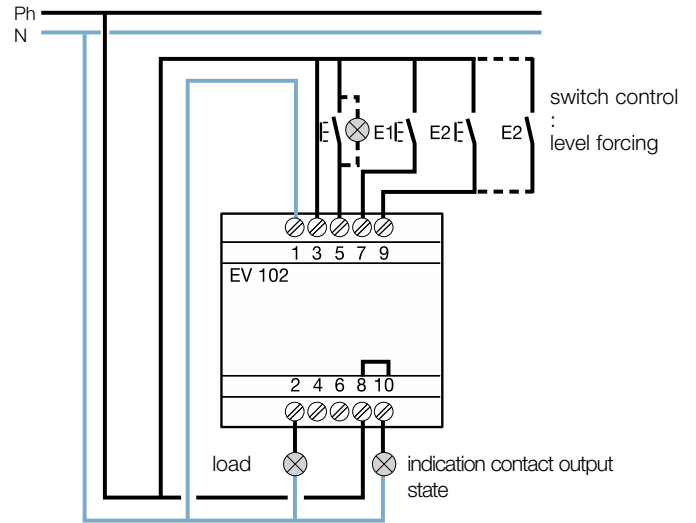


**Universal dimmer 1000 W EV 102 (with scene input)**

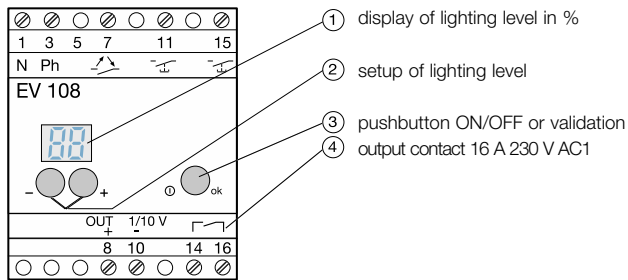


"master - local - slave" mode switch :

- "master" can pilot other EV 100 or EV 102 via output 1/10 V
- "local" stand alone functioning of product
- "slave" product piloted by input signal of connection 1/10 V



**1/10V pilot dimmer EV 108 (with scene / input)**

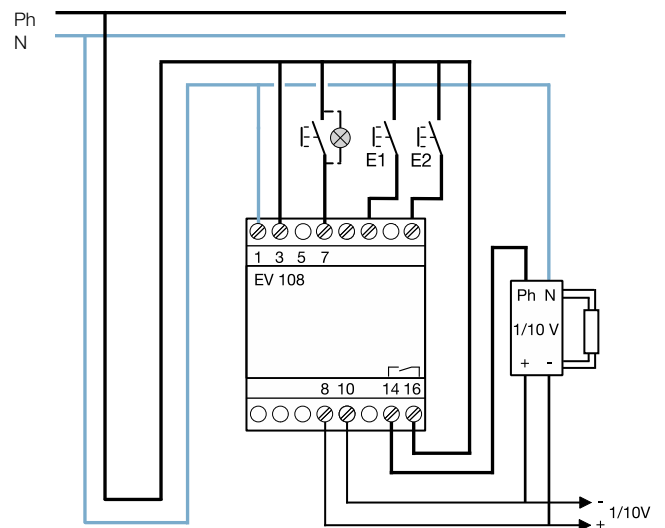


**Input E1 and E2 can call 2 ambient levels :**

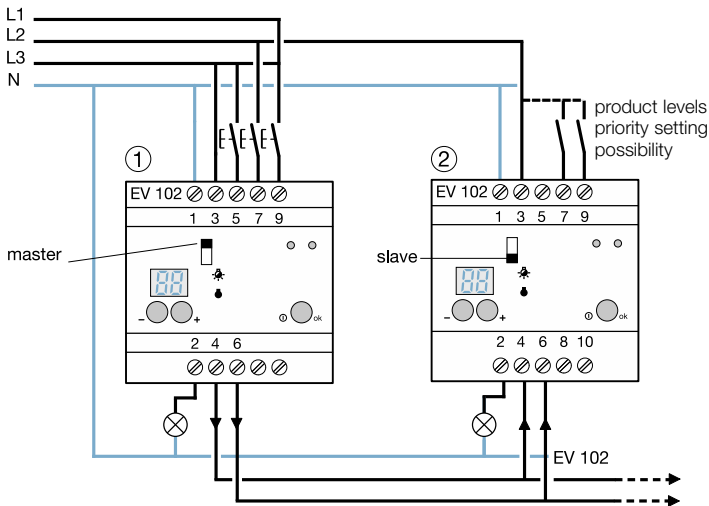
- control by pushbutton : requested level is applied out of respect for transition speed setted up
- control by switch : requested level is applied override according to transition speed setted up

When 2 inputs are controlled at the same time, a third level becomes available by override (only by setup : mode 2)

Dimming controls by pushbutton have no effect when override is active.



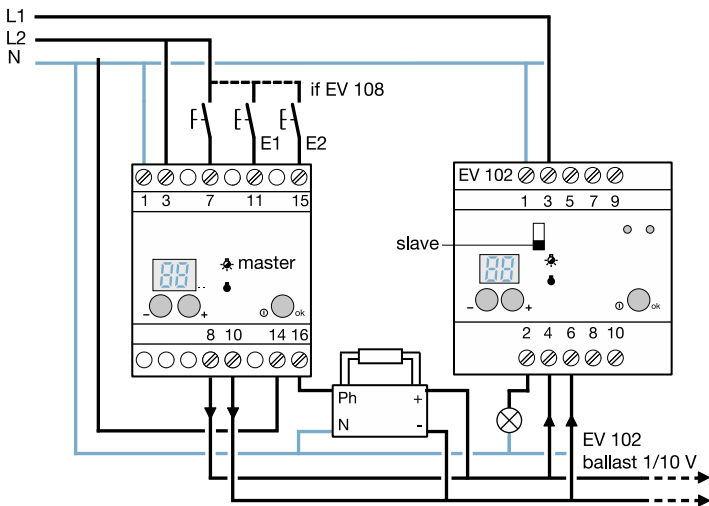
## Association of dimmer EV 102 with EV 102



- ① switch mode in position "master" = output 1/10 V.
- ② switch mode in position "slave" = input 1/10V (in this position only priority settings with E1 and E2 are available)

**Remark :** It is possible to extract temporarily a product from system by switching from "slave" to "local".

Use of input E1 and E2 (call of presetted levels)  
Inputs E1 and E2 allow to call 2 or 3 presetted ambient lighting levels. Call of levels can be done normally with pushbutton (impulse 400 ms) or by priority setting with switch or automation (maintained contact).  
Setup mode 1 or 2 allows to discriminate behaviour of dimmer by cancellation of priority setting.



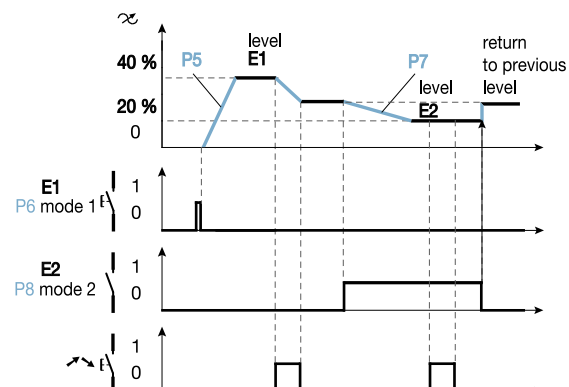
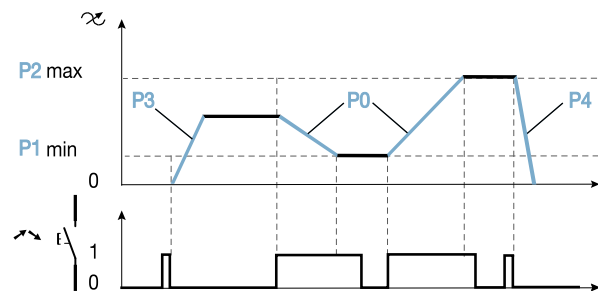
- **mode 1** (by default), corresponds to normal use.
  - Control by pushbutton, called level is applied out of respect of setted up transition. Dimmer still reacts to other controls applied.
  - Switch control, called level is applied by priority setting out of respect of setted up transition.
- By cancellation of priority setting, lighting remains at the same level as long as no other control is given.

- **mode 2** particularly adapted for override. Same behaviour as above by call of level.  
By desactivation of override, dimmer set back to the preceding state. In that mode, when the 2 entries are simultaneously active, a 3rd level becomes available in override (E1+E2 = E3)

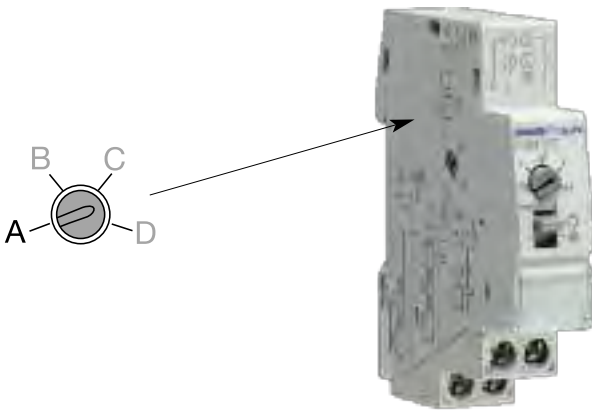
## Parameter settings for dimmers EV 102 and EV 108

parameter	functions	default value	possible value
E1	ambient level input E1	0 %	0..99 %
E2	ambient level input E2	99 %	0..99 %
E3	ambient level input E3 = E1 + E2	50 %	0..99 %
P0	dimming speed from 0 to 99 %	4"	4" ..99"
P1	mini lighting level	1 %	1 ..49%
P2	maxi lighting level	99 %	51 ..99%
P3	dimming speed at start	0"	0" ..99"
P4	dimming speed at stop	0"	0" ..99"
P5	time to reach ambient level E1	0' - 0"	0' ..99' et 59"
P6	use mode for input E1 : - 1 = call of ambient level, - 2 = priority setting	mode 1	mode 1 mode 2
P7	time to reach ambient level E2	0' - 0"	0' ..99' et 59"
P8	use mode for input E2 : - 1 = call of ambient level, - 2 = priority setting	mode 1	mode 1 mode 2
P9	time to reach ambient level E3	0' - 0"	0' ..99' et 59"

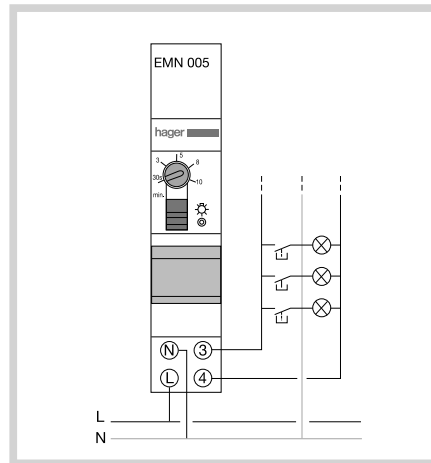
## Dimming parameters



Choice of function :

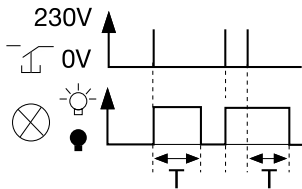


Wiring diagram



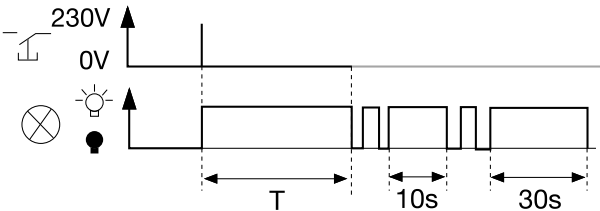
Timing diagram of different modes

**A. Basic mode**



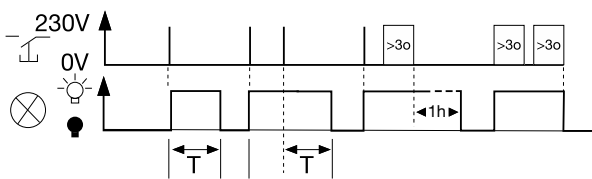
Press shortly a bell push to switch on the lights. After an adjustable time T the lights switch off automatically.

**B. Prewarning mode**



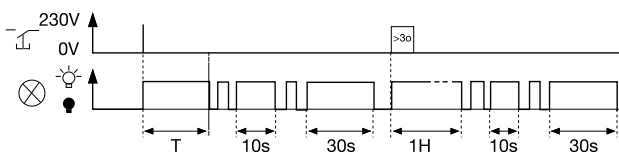
A signal (blink) appears before the end of the lighting period.

**C. Double delay mode**



Press shortly a bell push to switch on the lights. After an adjustable time T the lights switch off automatically. If you press the push button more than 3 seconds, a time lag of one hour begins.

**D. Double delay + prewarning mode**



Press shortly a bell push to switch on the lights. After an adjustable time T the lights switch off automatically. If you press the push button more than 3 seconds, a time lag of one hour begins. A signal (blink) appears before the end of the lighting period.

## Description



Energymeters are aimed to measure the active energy consumed by an installation. They permit to have under control the real cost of an installation and to divide the consumption between the different appliances.

## Characteristics

- class B
- accuracy 1%
- energy readout: 7 digits
- backlighted display
- indication of instantaneous power consumption

- total / partial counter
- pulsed output
- unlimited saving of measures
- LED flashing according to consumption
- option: tariff 1 / tariff 2.
- three phases energymeters are adapted to all kind of networks
- display indication in case of bad wiring.

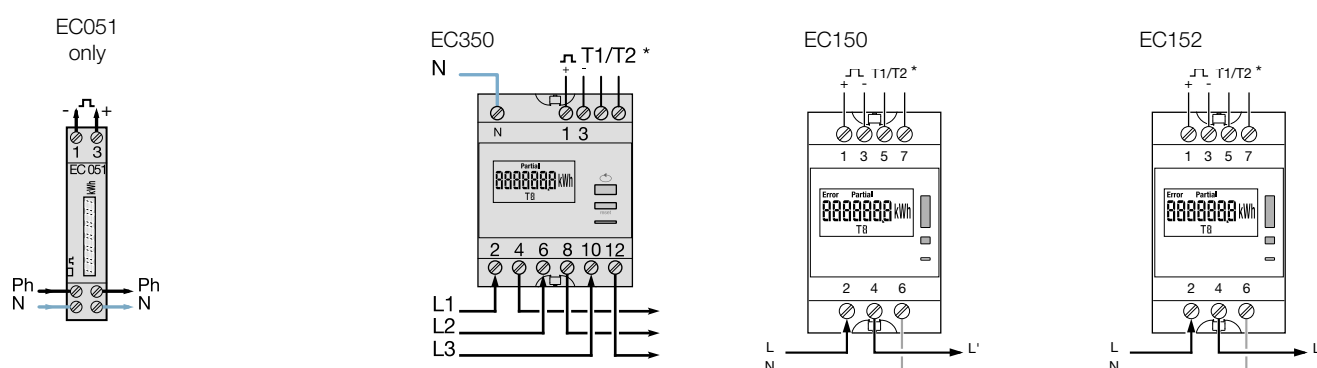
Complies to EN 50470 - 3

Designation	Characteristics	Width qty.	Pack	Cat. Ref.
 EC050	<b>Single phase - direct 32A</b>  voltage 230V AC 50 / 60Hz  single tariff without pulsed output	1	1	<b>EC050</b>
	<b>Single phase - direct 63A</b>  voltage 230V AC 50 / 60Hz starting current = 40mA base current = 10A max current = 63A  with pulsed output and total / partial	3	1	<b>EC150</b>
 EC350	with pulsed output, total / partial counter and 2 tariffs	3	1	<b>EC152</b>
	<b>Three phase - direct 63A</b>  voltage 230/400V AC 50 / 60Hz starting current = 40mA base current = 10A max current = 63A  with pulsed output and total / partial	4	1	<b>EC350</b>

## Technical characteristics

	EC050	EC150	EC152	EC350
<b>Electrical characteristics</b>				
Voltage	230V AC +/- 15%			230V AC +/- 15%, 400V AC +/- 15%
Frequency	50 / 60Hz			
Consumption	7VA, 1W	< 10VA and 1W		< 10VA and 3W
<b>Metrological data</b>				
Connection	direct			
Display	5 + 1 digits	6 + 1 digits		7 + 1 digits
Accuracy	1%, class 1 IEC61036	1%, class B EN 50 470-3		
I max	32A direct	63A direct		
I starting	20mA	40mA		
Base current	10A	10A		
<b>Metrological LED</b>				
LED	6000 blinking / kWh	1000 blinking / kWh		
<b>Pulsed output</b>				
Pulsed output	no	1 pulse = 100Wh / 100ms / 20 - 30V DC max (except on KNX meters)		
<b>Tariff</b>				
Tariff	1	1	2	1
<b>Mechanical characteristics</b>				
Width	1	3		4
Protection degree	IP20	IP20, IP51 (front part)		
Storage temperature	-25 to +70°C	-20 to +70°C		
Operating temperature	-10 to +45°C	-10 to +55°C		
Connection capacity	rigid: 1 to 6 mm <sup>2</sup> flexible: 1 to 4 mm <sup>2</sup>	rigid: 1,5 to 16 mm <sup>2</sup> flexible: 1 to 16 mm <sup>2</sup>		

## Connection diagram



# insysta™

## vogue technik

Hager India presents you with insysta™ - an innovative Indian fusion of their well-known French brand "systo". Admire Fashion of France, Experience German Engineering, and Feel Proud of Made in India with insysta™.

insysta™ is the right choice of switching systems to enhance the decor of your living space. Combined with KNX automation modules & electronics, insysta™ brings you fashionable & sophisticated switching systems! Inspired by nature, insysta™ offers fashionable switch plates made of natural materials like oak wood, glass, stainless steel, and plastic.



6AX switches	320
10AX switches	320
16AX switches	320
20AX switches	321
25A motor starter switches	321
20A / 32A Double Pole switches	321
Push button	322
Sockets	322
Regulators & dimmers	323
Data sockets	323
USB socket	323
VDI module	324
Special application	324
KNX Push buttons	325
Modular motion detector	325
DND / MMR	326
Hotel card unit	326
Shaver socket	327
Skirting light	327
Buzzer	327

Volume controller	327
Cover & grid plates - Plastic	328
Cover plates - Real material	329
Grid plates - Real material	330
Wall Boxes	331

**6AX switches**

**Description**

- Complies with IS 3854 : 1997
- Guaranteed for 1,00,000 switching operations
- 'X' rated – no need to derate for fluorescent loads
- Available with LED light indicator in rocker
- Long life LED with 50,000 burning hours
- Terminal screws are backed out and captive
- Clearly marked technical and installation information (L-Line, N-Neutral)
- Laser marking



WSNSW11

Description	Module size	Cat Ref.
1 way glossy white	1	<b>WSNSW11</b>
1 way glossy white with LED	1	<b>WSNSL11</b>
1 way anthracite	1	<b>WSNSW11A</b>
1 way anthracite with LED	1	<b>WSNSL11A</b>
2 way glossy white	1	<b>WSNSW21</b>
2 way anthracite	1	<b>WSNSW21A</b>

**10AX switches**

**Description**

- Complies with IS 3854 : 1997
- Guaranteed for 1,00,000 switching operations
- 'X' rated – no need to derate for fluorescent loads
- Terminal screws are backed out and captive
- Clearly marked technical and installation information (L-Line, N-Neutral)
- Laser marking



WSNSW31

Description	Module size	Cat Ref.
1 way glossy white	1	<b>WSNSW31</b>
1 way anthracite	1	<b>WSNSW31A</b>

**16AX switches**

**Description**

- Complies with IS 3854 : 1997
- Guaranteed for 1,00,000 switching operations
- 'X' rated – no need to derate for fluorescent loads
- Available with LED indicator in rocker
- Long life LED with 50000 burning hours
- Terminal screws are backed out and captive
- Clearly marked technical and installation information (L-Line, N-Neutral)
- Laser marking



WSNSW61

Description	Module size	Cat Ref.
1 way glossy white	1	<b>WSNSW51</b>
1 way glossy white with LED	1	<b>WSNSL511</b>
1 way anthracite	1	<b>WSNSW51A</b>
1 way anthracite with LED	1	<b>WSNSL51A</b>
2 way glossy white	1	<b>WSNSW61</b>
2 way anthracite	1	<b>WSNSW61A</b>



**20AX switches**

**Description**

- Complies with IS 3854 : 1997
- Guaranteed for 1,00,000 switching operations
- 'X' rated – no need to derate for fluorescent loads
- Long life LED with 50000 burning hours
- Terminal screws are backed out and captive
- Clearly marked technical and installation information (L-Line, N-Neutral)
- Laser marking



WSNSL71

Description	Module size	Cat Ref.
1 way glossy white	1	<b>WSNSW71</b>
1 way glossy white with LED	1	<b>WSNSL71</b>
1 way anthracite	1	<b>WSNSW71A</b>
1 way anthracite with LED	1	<b>WSNSL71A</b>

**25A motor starter switches**

**Description**

- Complies with IS 13947
- Guaranteed for 1,00,000 switching operations
- 25 Amp maximum operating current
- Terminal screws are backed out and captive
- Clearly marked technical and installation information (L-Line, N-Neutral)
- Laser marking



WSNMS12

Description	Module size	Cat Ref.
glossy white	3	<b>WSNMS12</b>
anthracite	3	<b>WSNMS12A</b>

**20A / 32A Double Pole switches**

**Description**

- Complies with IS 3854 : 1997
- Guaranteed for 1,00,000 switching operations
- 'X' rated – no need to derate for fluorescent loads
- Long life LED with 50000 burning hours
- Terminal screws are backed out and captive
- Clearly marked technical and installation information (L-Line, N-Neutral)
- Laser marking



WSNSW81

Description	Module size	Cat Ref.
20A DP 1 way glossy white with LED	2	<b>WSNSW81</b>
20A DP 1 way anthracite with LED	2	<b>WSNSW81A</b>
32A DP 1 way glossy white with LED	2	<b>WSNSL92</b>
32A DP 1 way anthracite with LED	2	<b>WSNSL92A</b>

**Push button**

**Description**

- Complies with IS 3854 : 1997
- Guaranteed for 1,00,000 switching operations
- Available with LED light indicator in rocker
- Long life LED with 50000 burning hours
- Terminal screws are backed out and captive
- Clearly marked technical and installation information
- Laser marking



WSNBP11

Description	Module size	Cat Ref.
6A glossy white	1	<b>WSNBP11</b>
6A glossy white with Indicator	1	<b>WSNBP21</b>
6A glossy white	2	<b>WSNBP12</b>
6A glossy white with Indicator	2	<b>WSNBP22</b>
6A anthracite	1	<b>WSNBP11A</b>
6A anthracite with Indicator	1	<b>WSNBP21A</b>
6A anthracite	2	<b>WSNBP12A</b>
6A anthracite with Indicator	2	<b>WSNBP22A</b>

**Sockets**

**Description**

- Complies with IS 1293 : 2005
- Euro & US plugs accepted
- Safety shutter included
- Terminal screws are backed out and captive
- Multistandard socket supports 17 different plugs
- Clearly marked technical and installation information (L-Line, N-Neutral)
- Laser marking



WSNSK11



WSNSK42




WSNSK62

Description	Module size	Cat Ref.
<b>2 Pin</b>		
10A glossy white socket with safety shutter`	1	<b>WSNSK11</b>
10A anthracite socket with safety shutter	1	<b>WSNSK11A</b>
<b>3 Pin</b>		
10 / 25A glossy white	2	<b>WSNSK32</b>
6 / 16A glossy white Protruded	2	<b>WSNSK42</b>
6 / 16A glossy white	3	<b>WSNSK53</b>
6-13A glossy white Multistandard	2	<b>WSNSK22</b>
10 / 25A anthracite	2	<b>WSNSK32A</b>
6 / 16A anthracite Protruded	2	<b>WSNSK42A</b>
6 / 16A anthracite	3	<b>WSNSK53A</b>
6-13A anthracite Multistandard	2	<b>WSNSK22A</b>
<b>5 Pin</b>		
6A 5 pin glossy white universal socket	2	<b>WSNSK62</b>
6A 5 pin anthracite universal socket	2	<b>WSNSK62A</b>

**Regulators & dimmers**

**Description**

- Fan regulator complies with IS 11037:1984
- 360 deg rotary type fan regulator
- Fan regulators and Dimmers with inbuilt fuse for extra safety for user
- Clearly printed symbol to identify module function
- Laser marking

	Description	Module size	Cat. Ref.
 <p>WSNFC22</p>	100W glossy white fan regulator	1	<b>WSNFC11</b>
	120W glossy white fan regulator	2	<b>WSNFC22</b>
	400W glossy white incandescent rotary dimmer	1	<b>WSNDM11</b>
	1000W glossy white incandescent rotary dimmer	2	<b>WSNDM22</b>
	100W anthracite fan regulator	1	<b>SNFC11A</b>
	120W anthracite fan regulator	2	<b>WSNFC22A</b>
	400W anthracite incandescent rotary dimmer	1	<b>WSNDM11A</b>
	1000W anthracite incandescent rotary dimmer	2	<b>WSNDM22A</b>

**Data sockets**

**Description**


- Single RJ11 and RJ45 with label holder & spring operated safety shutters for dust protection when not in use
- International jacks for high speed data transmission
- Clearly printed symbol to identify module function
- Laser marking

	Description	Module size	Cat. Ref.
 <p>WSNDS11</p>	glossy white RJ11 single	1	<b>WSNDS11</b>
	glossy white RJ11 twin	1	<b>WSNDS21</b>
	glossy white RJ45 cat 5e	1	<b>WSNDS31</b>
	glossy white RJ45 cat 6	1	<b>WSNDS41</b>
	anthracite RJ11 single	1	<b>WSNDS11A</b>
	anthracite RJ11 twin	1	<b>WSNDS21A</b>
	anthracite RJ45 cat 5e	1	<b>WSNDS31A</b>
	anthracite RJ45 cat 6	1	<b>WSNDS41A</b>

**USB socket**

**Description**

- 1.2 amp charging for portable devices
- Blue LED illuminates when charging
- Full charge indication
- Compatibility with all smartphones
- Clearly marked technical and installation information
- Laser marking

	Description	Module size	Cat. Ref.
 <p>WSNDS51</p>	glossy white USB Port	1	<b>WSNDS51</b>
	glossy white USB charger	2	<b>WS110</b>
	anthracite USB Port	1	<b>WSNDS51A</b>
	anthracite USB charger	2	<b>WS110N</b>
	2A glossy white USB charger	1	<b>WSNDS61</b>
	2A anthracite USB charger	1	<b>WSNDS61A</b>

**VDI module & accessories**

**Description**


- Wide range of communication sockets for commercial and residential applications
- Laser marked information on terminals

	Description	Module size	Cat Ref.
 WSNDT11	glossy white HDMI Port	1	<b>WSNDT21</b>
	glossy white 3x female RCA AV Connector	1	<b>WSNDT31</b>
	glossy white female HD VGA 15AV Connector	1	<b>WSNDT42</b>
	glossy white Co-Axial TV socket	1	<b>WSNDT11</b>
	glossy white cord outlet	1	<b>WSNDS71</b>
 WSNDS71	glossy white blanking plate	1	<b>WSNBK11</b>
	anthracite HDMI Port	1	<b>WSNDT21A</b>
	anthracite 3x female RCA AV Connector	1	<b>WSNDT31A</b>
	anthracite female HD VGA 15AV Connector	1	<b>WSNDT42A</b>
	anthracite Co-Axial TV socket	1	<b>WSNDT11A</b>
 WSNDT31	anthracite cord outlet	1	<b>WSNDS71A</b>
	anthracite blanking plate	1	<b>WSNBK11A</b>

**Special application**

**Description**




- Switch complies with IS 3854 : 1997
- Socket complies with IS 1293 : 2005
- Guaranteed for 1,00,000 operations
- RAL: RD3G023
- Terminal screws are backed out and captive
- Clearly marked technical and installation information

	Description	Module size	Cat Ref.
 WSNSW11R	6AX 1 way Switch Red	1	<b>WSNSW11R</b>
	16AX 1 way Switch Red	1	<b>WSNSW51R</b>
	<b>3 Pin</b>		
	6-13A Multistand Socket Red	2	<b>WSNSK22R</b>
	6-16A 3pin Socket Red	2	<b>WSNSK42R</b>
	6-16A 3pin Socket Red	3	<b>WSNSK53R</b>
	<b>5 Pin</b>		
6A 5 pin Universal Socket Red	2	<b>WSNSK62R</b>	

**KNX Push buttons**

**Description**


- Complies with EN 60669-2-1 & EN 50428
- Supports system link, easy Link
- Compatible with KNX based home automation solutions for Light ON/OFF, Dimming, Blinds UP/DOWN and opareting light scenes

	Description	Module size	Cat Ref.
 <p>WST304</p>	<b>1 Gang</b>		
	white KNX Push button 2 buttons with Indicator	2	<b>WST312</b>
	anthracite KNX Push button 2 buttons with indicator	2	<b>WST312N</b>
	aluminium KNX Push button 2 buttons with indicator	2	<b>WST312T</b>
	white KNX Push button 2 buttons + 12 IR inputs	2	<b>WST322</b>
	anthracite KNX Push button 2 buttons + 12 IR inputs	2	<b>WST322N</b>
 <p>WST324</p>	aluminium KNX Push button 2 buttons + 12 IR inputs	2	<b>WST322T</b>
	<b>2 Gang</b>		
	white KNX Push button 4 buttons with indicator	2	<b>WST314</b>
	anthracite KNX Push button 4 buttons with indicator	2	<b>WST314N</b>
	aluminium KNX Push button 4 buttons with indicator	2	<b>WST314T</b>
	white KNX Push button 4 buttons + 12 IR inputs	2	<b>WST324</b>
 <p>WST316</p>	anthracite KNX Push button 4 buttons + 12 IR inputs	2	<b>WST324N</b>
	aluminium KNX Push button 4 buttons + 12 IR inputs	2	<b>WST324T</b>
	<b>3 Gang</b>		
	white KNX Push button 6 buttons with indicator	2	<b>WST316</b>
	anthracite KNX Push button 6 buttons with indicator	2	<b>WST316N</b>
	aluminium KNX Push button 6 buttons with indicator	2	<b>WST316T</b>

**Modular motion detector**

**Description**



- Ideal for indoor 230V ± 10%, 50Hz application
- IP 20
- Detection angle : 90° - 180°
- Brightness threshold : 5-800 lux
- Compact fluorescent lamp (CFL): upto 150W
- Halogen lamps: upto 1000W
- Fluorescent tubes: upto 500 VA
- Time delay: 1s - 30 mn

	Description	Module size	Cat Ref.
 <p>WS051</p>	white modular motion detector	2	<b>WS051</b>
	antracite modular motion detector	2	<b>WS051N</b>

**DND / MMR**

**Description**


- Compact size DND / MMR corridor unit with Occupancy indicator in bell push
- Guest Room Device - interlocked 2way switches
- Connections are all made with terminals, there are no LED wires to fit

	Description	Module size	Cat Ref.
	glossy white external DND/MMR with door bell switch & light indicator for DND/MMR	2	<b>WSNHS12</b>
WSNHS22	glossy white internal unit for DND/MMR control & light indicator for DND/MMR	2	<b>WSNHS22</b>
	anthracite external DND/MMR with door bell switch & light indicator DND/MMR	2	<b>WSNHS12A</b>
WSNHS12	anthracite internal unit for DND/MMR control & light indicator for DND/MMR	2	<b>WSNHS22A</b>

**Hotel card unit**

**Description**

- Integrated switch delay timer upto 1 min and 10A AC1 relay
- Suitable for 54x86 mm key fob
- Blue position indicator

	Description	Module size	Cat Ref.
	glossy white systo hotel key card	2	<b>WS055</b>
WS055			

**Shaver socket**

**Description**

- Output power: 20VA
- Output volt: 115 & 230 AC 50HZ
- Shaver socket features double wound transformer for dual voltage operation
- Prefitted 4M cover and grid plate



WSNHS44

Description	Module size	Cat Ref.
glossy white shaver socket	4	<b>WSNHS44</b>
anthracite shaver socket	4	<b>WSNHS44A</b>

**Skirting light**

**Description**

- Output wattage: 350mW
- No. of LEDs: 3
- Luminous flux : 6 to 7 Lumen
- Current : 40mA (max)



WSNHS52

Description	Module size	Cat Ref.
glossy white skirting light with white LED	2	<b>WSNHS52</b>
anthracite skirting light with white LED	2	<b>WSNHS52A</b>

**Buzzer**

**Description**

- Input Voltage: 240VAC
- Input Frequency: 50Hz
- Output Wattage: 16W Max
- No. of tune: 1 (Ding-Dong)
- dB Value: 80 to 90 dB



WSNHS62

Description	Module size	Cat Ref.
glossy white buzzer	2	<b>WSNHS62</b>
anthracite buzzer	2	<b>WSNHS62A</b>

**Volume controller**

**Description**

- Output rating: 3W max
- Speaker: 8Ω, 3W
- No. of Speaker: 2






WSNHS72

Description	Module size	Cat Ref.
glossy white volume controller	2	<b>WSNHS72</b>
anthracite volume controller	2	<b>WSNHS72A</b>

**Cover & grid plates - Plastic**

**Description**

- Made from fire retardant UV stabilised high performance plastic
- Cover plates are supplied with a protective removable plastic film fitted
- Cover plate compensation to adjust with uneven wall surfaces




	Description	Module size	Cat Ref.
 <p>WSNCG1</p>	<b>Glossy White</b>	1	<b>WSNCG1</b>
		2	<b>WSNCG2</b>
		3	<b>WSNCG3</b>
		4	<b>WSNCG4</b>
		6	<b>WSNCG6</b>
		8	<b>WSNCG8</b>
		8	<b>WSNCGS8</b>
		12	<b>WSNCG12</b>
		18	<b>WSNCG18</b>
		 <p>WSNCG1A</p>	<b>Anthracite</b>
2	<b>WSNCG2A</b>		
3	<b>WSNCG3A</b>		
4	<b>WSNCG4A</b>		
6	<b>WSNCG6A</b>		
8	<b>WSNCG8A</b>		
8	<b>WSNCGS8A</b>		
12	<b>WSNCG12A</b>		
18	<b>WSNCG18A</b>		
 <p>WSNCG1S</p>	<b>Aluminium</b>		
		2	<b>WSNCG2S</b>
		3	<b>WSNCG3S</b>
		4	<b>WSNCG4S</b>
		6	<b>WSNCG6S</b>
		8	<b>WSNCG8S</b>
		8	<b>WSNCGS8S</b>
		12	<b>WSNCG12S</b>
		18	<b>WSNCG18S</b>




**Cover plates - Real material**

**Description**

- German manufactured real material cover plates
- Fashioned in France, inspired by nature
- Elegant, luxury feel to enhance your home
- Individually sealed in a protective poly bag
- Thickness of real material: 3mm
- Stainless steel grade: 1.4301
- White & black glass finish: hardened and polished with chamfered edges
- Bog Oak finish: polyurethane varnish and UV cured

Description	Module size	Cat Ref.	
 <p>WSNCG1GW</p>	<b>White Glass</b>		
		1	<b>WSNCG1GW</b>
		2	<b>WSNCG2GW</b>
		3	<b>WSNCG3GW</b>
		4	<b>WSNCG4GW</b>
		6	<b>WSNCG6GW</b>
		8	<b>WSNCG8GW</b>
		8	<b>WSNCGS8GW</b>
		12	<b>WSNCG12GW</b>
	 <p>WSNCG1GB</p>	<b>Black Glass</b>	
		1	<b>WSNCG1GB</b>
		2	<b>WSNCG2GB</b>
		3	<b>WSNCG3GB</b>
		4	<b>WSNCG4GB</b>
		6	<b>WSNCG6GB</b>
		8	<b>WSNCG8GB</b>
		8	<b>WSNCGS8GB</b>
 <p>WSNCG1BS</p>	<b>Brushed Steel</b>		
		1	<b>WSNCG1BS</b>
		2	<b>WSNCG2BS</b>
		3	<b>WSNCG3BS</b>
		4	<b>WSNCG4BS</b>
		6	<b>WSNCG6BS</b>
		8	<b>WSNCG8BS</b>
		8	<b>WSNCGS8BS</b>
	12	<b>WSNCG12BS</b>	

**Cover plates - Real material**

Description	Module size	Cat Ref.
<b>Bog Oak Wood</b>		
	1	<b>WSNCG1WEO</b>
	2	<b>WSNCG2WEO</b>
	3	<b>WSNCG3WEO</b>
	4	<b>WSNCG4WEO</b>
	6	<b>WSNCG6WEO</b>
	8	<b>WSNCG8WEO</b>
	8	<b>WSNCGS8WEO</b>
	12	<b>WSNCG12WEO</b>

WSNCG1WEO

**Grid plates - Real material**

**Description**

- Made from fire retardant UV stabilized high performance PC
- Available in various module sizes from 1 – 12 modules

- Suits perfectly to real material cover plates

Description	Module size	Cat Ref.
		
Grid Plate - 1 module	1	<b>WSNG1</b>
Grid Plate - 2 module	2	<b>WSNG2</b>
Grid Plate - 3 module	3	<b>WSNG3</b>
Grid Plate - 4 module	4	<b>WSNG4</b>
Grid Plate - 6 module	6	<b>WSNG6</b>
Grid Plate - 8 module (Horizontal)	8	<b>WSNG8</b>
Grid Plate - 8 module (Square)	8	<b>WSNG8S</b>
Grid Plate - 12 module	12	<b>WSNG12</b>

WSNG3

**Wall Boxes**

**Description**

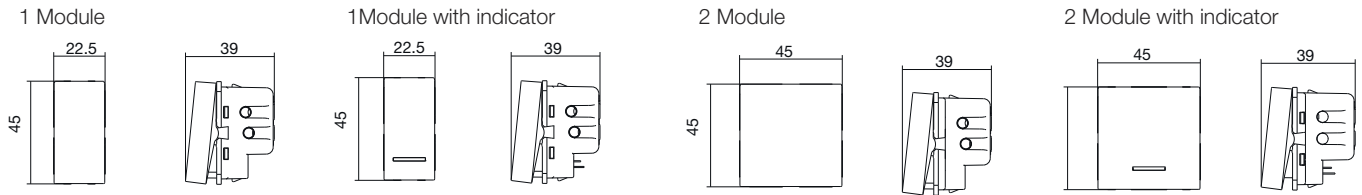
- Range of flush mounting boxes to suite with cover plate range
- Bright, galvanised, chromium free protective coating
- M3.5 combi-head earthing screw
- Individually sealed in protective poly bag
- Protection of Floating clamp
- Thickness:  
1-4M - 0.8mm  
6-18M - 1mm



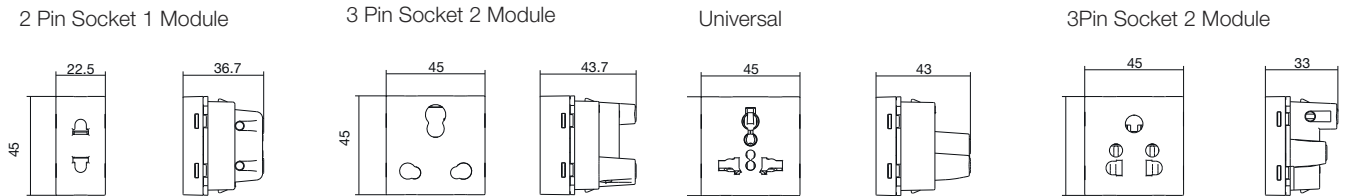
WSNMB3

Description	Module size	Cat Ref.
Metal Mounting Boxes 1 & 2	2	<b>WSNMB2</b>
Metal Mounting Boxes 3 module	3	<b>WSNMB3</b>
Metal Mounting Boxes 4 module	4	<b>WSNMB4</b>
Metal Mounting Boxes 6 module	6	<b>WSNMB6</b>
Metal Mounting Boxes 8 module (Horizontal)	8	<b>WSNMB8H</b>
Metal Mounting Boxes 8 module (Square)	8	<b>WSNMB8R</b>
Metal Mounting Boxes 12 module	12	<b>WSNMB12</b>
Metal Mounting Boxes 18 module	18	<b>WSNMB18</b>

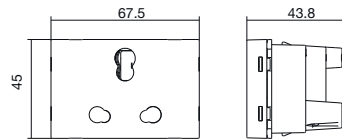
**Switches**



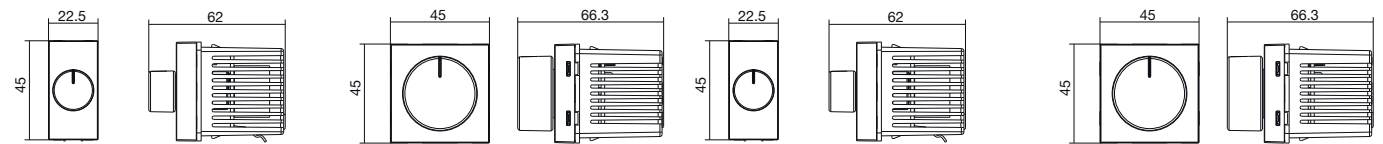
**Sockets**



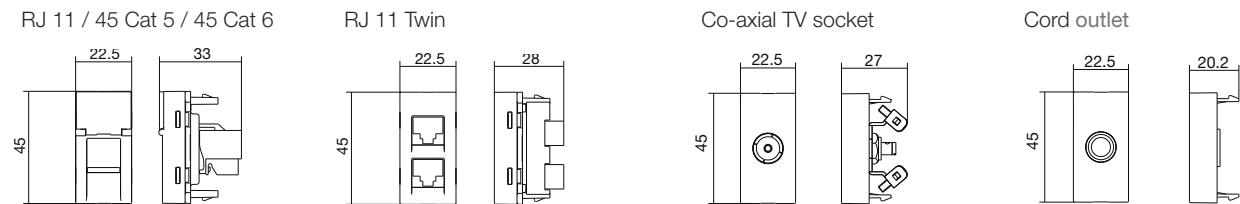
**3Pin Socket 3 Module**



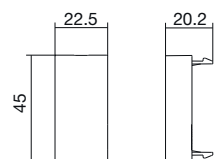
**Dimmers & Fan regulators**



**Data sockets**

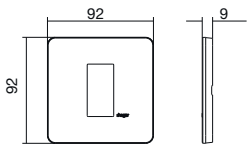


**Blanking plate**

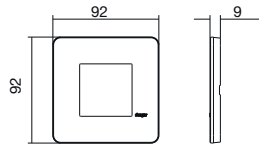


Cover plates

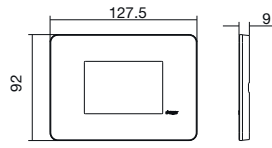
1 Module



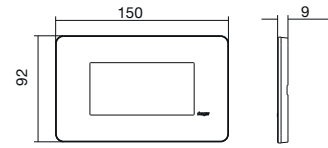
2 Module



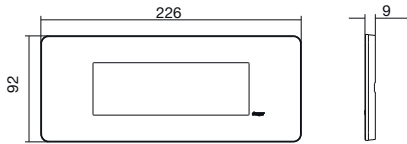
3 Module



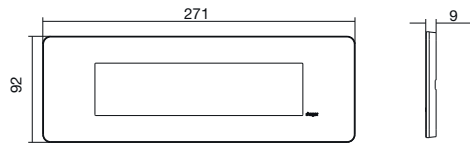
4 Module



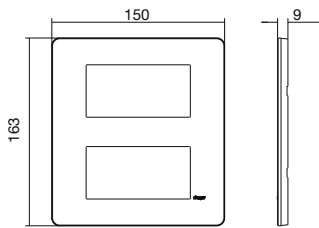
6 Module



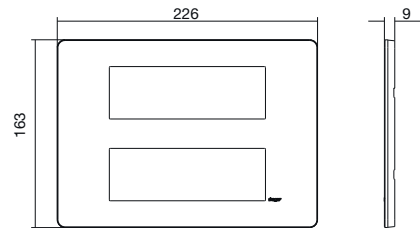
8 Module-L



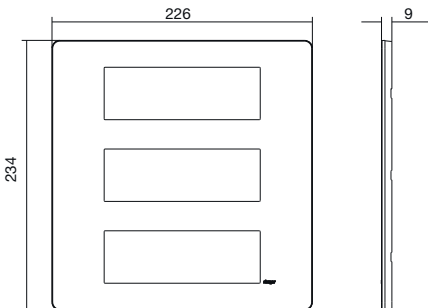
8 Module-SQ



12 Module

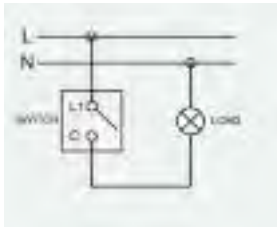


18 Module

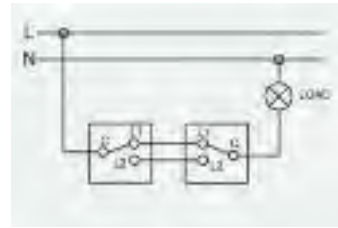


Switches

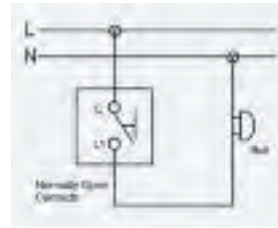
One way



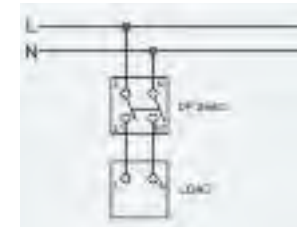
Two way



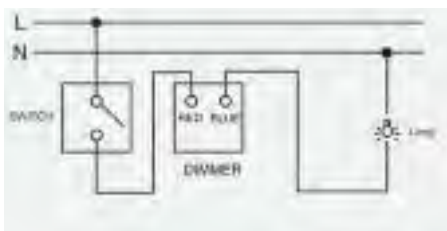
Bell switch



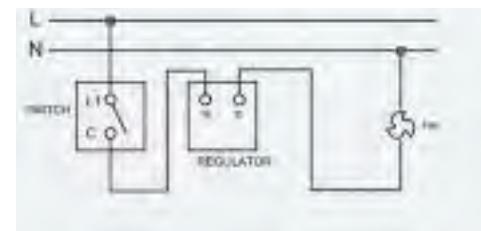
Double pole



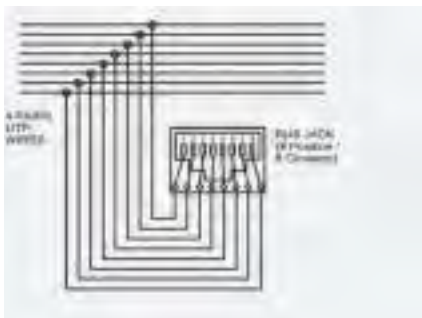
Dimmer with switch



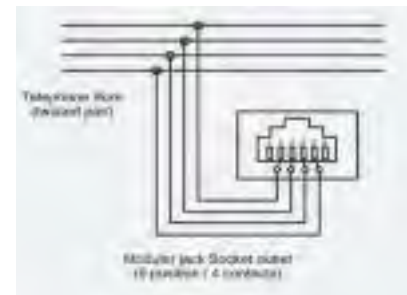
Fan regulator with switch



Computer Outlet - RJ45



Telephone Outlet - RJ11



# insysta™

## vogue technik

An innovative Indian fusion of Hager's France brand "systo", provides the state of the art solution to your wiring accessories need.

Nature never fails to inspire and that's why this solution brings you fashionable real material cover plate options in Wood, Glass, Stainless Steel and Plastic.



Cat. ref.	Page No.	Cat. ref.	Page No.	Cat. ref.	Page No.	Cat. ref.	Page No.	Cat. ref.	Page No.
<b>A</b>		BFC480E	217	EE860	294	ESC465	260	HEC040H	89
AD956Y	208	BFH480E	217	EE870	294	ESC466	260	HEC041H	89
AD960Y	208	BTC380E	217	EE880	282	ETC440	260	HEC125H	89
AD966Y	208	BTC480E	217	EE883	282	ETC463	260	HEC126H	89
AD970Y	208	BTH380E	217	EEN003	276	EV102	305	HEC250H	89
AD975Y	208	BTH480E	217	EEN100	276	EV108	306	HEC251H	89
AD982Y	208	<b>C</b>		EG003U	274	EVN004	304	HED400H	92
AD990Y	208	CC216Y	206	EG005	274	EVN012	304	HED401H	92
ADC206Y	210	CC225Y	206	EG007	274	<b>H</b>		HED630H	92
ADC210Y	210	CD225Y	206	EG103E	272	HBA125H	83	HED631H	92
ADC216Y	210	CD240Y	206	EG293B	272	HBA126H	83	HEE800H	94
ADC225Y	210	CD263Y	206	EH011	270	HBA127H	83	HEE801H	94
ADC232Y	210	CD284Y	206	EH111	270	HBA128H	83	HEE970H	94
ADC240Y	210	CD425Y	206	EH711	270	HBA160H	83	HEE971H	94
ADC263Y	210	CD440Y	206	EH771	270	HBA161H	83	HEF980H	97
ADC416Y	210	CD463Y	206	EKS301B	189	HBB161H	86	HEF981H	97
ADC425Y	210	CD484Y	206	EKS302B	189	HBB251H	86	HEF990H	97
ADC432Y	210	CE225Y	206	EKS303B	189	HBD401H	92	HEF991H	97
ADC440Y	210	CE240Y	206	EKS304B	189	HBD631H	92	HEG200H	88
ADC463Y	210	CE263Y	206	EKS305B	189	HCA125Z	83	HEG250H	88
ADH956	209	CE284Y	206	EKS306B	189	HCA126Z	83	HHA016Z	82
ADH960	209	CE425Y	206	EKS309B	189	HCA160Z	83	HHA017Z	82
ADH966	209	CE440Y	206	EKS312B	189	HCA161Z	83	HHA020Z	82
ADH970	209	CE463Y	206	EKS315B	189	HCB250Z	86	HHA021Z	82
ADH975	209	CE484Y	206	EKS320B	189	HCB251Z	86	HHA025U	82
ADH982	209	CF225Y	206	EKS330B	189	HCD400H	92	HHA025Z	82
ADH990	209	CF240Y	206	EKT406SG	191	HCD401H	92	HHA026U	82
AE956Y	208	CF263Y	206	EKT410SG	191	HCD630H	92	HHA026Z	82
AE960Y	208	CF425Y	206	EKT410TG	191	HCD631H	92	HHA032Z	82
AE966Y	208	CF440Y	206	EKT416SG	191	HCE800H	94	HHA033Z	82
AE970Y	208	CF463Y	206	EKT416TG	191	HCE801H	94	HHA040U	82
AE975Y	208	CF484Y	206	EKT420SG	191	HCE970H	94	HHA040Z	82
AE982Y	208	CH225J	207	EKT420TG	191	HCE971H	94	HHA041U	82
AE990Y	208	CH240J	207	EKT425SG	191	HCF980H	97	HHA041Z	82
AEC206Y	210	CH263J	207	EKT425TG	191	HCF981H	97	HHA050Z	82
AEC210Y	210	CH425J	207	EKT432SG	191	HCF990H	97	HHA051Z	82
AEC216Y	210	CH440J	207	EKT432TG	191	HCF991H	97	HHA063U	82
AEC225Y	210	CH463J	207	EKT440TG	191	HDA016Z	82	HHA063Z	82
AEC232Y	210	CQ225J	207	EKT610SG	191	HDA017Z	82	HHA064U	82
AEC240Y	210	CQ240J	207	EKT610TG	191	HDA020Z	82	HHA064Z	82
AEC263Y	210	CQ263J	207	EKT616SG	191	HDA021Z	82	HHA080U	82
AEC416Y	210	CQ425J	207	EKT616TG	191	HDA025U	82	HHA080Z	82
AEC425Y	210	CQ440J	207	EKT620SG	191	HDA025Z	82	HHA081U	82
AEC432Y	210	CQ463J	207	EKT620TG	191	HDA026U	82	HHA081Z	82
AEC440Y	210	CZ001	220	EKT625SG	191	HDA026Z	82	HHA100U	82
AEC463Y	210	<b>E</b>		EKT625TG	191	HDA032Z	82	HHA100Z	82
AF956Y	208	EC050	316	EKT632SG	191	HDA033Z	82	HHA101U	82
AF960Y	208	EC150	316	EKT632TG	191	HDA040U	82	HHA101Z	82
AF966Y	208	EC152	316	EKT640SG	191	HDA040Z	82	HHA125U	82
AF970Y	208	EC350	316	EKT640TG	191	HDA041U	82	HHA125Z	82
AF975Y	208	EE110	276	EKT663TG	191	HDA041Z	82	HHA126U	82
AF982Y	208	EE180	274	EMN005	306	HDA050Z	82	HHA126Z	82
AF990Y	208	EE181	274	EPN050	266	HDA051Z	82	HHA160U	82
AFC216Y	210	EE600	296	EPN051	266	HDA063U	82	HHA160Z	82
AFC225Y	210	EE610	296	EPN052	266	HDA063Z	82	HHA161U	82
AFC232Y	210	EE702	276	EPN053	266	HDA064U	82	HHA161Z	82
AFC240Y	210	EE804A	282	EPN510	263	HDA064Z	82	HHB200Z	86
AFC263Y	210	EE805A	282	EPN515	263	HDA080U	82	HHB201Z	86
AFC416Y	210	EE806	294	EPN520	263	HDA080Z	82	HHB250Z	86
AFC425Y	210	EE807	289	EPN525	263	HDA081U	82	HHB251Z	86
AFC432Y	210	EE808	289	EPN540	263	HDA081Z	82	HHD400U	91
AFC440Y	210	EE810	289	ESC080	260	HDA100U	82	HHG063H	88
AFC463Y	210	EE811	289	ESC225	260	HDA100Z	82	HHG100H	88
AFH956	209	EE812	289	ESC227	260	HDA101U	82	HHG125H	88
AFH960	209	EE815	289	ESC240	260	HDA101Z	82	HHG160H	88
AFH966	209	EE816	289	ESC263	260	HDA125U	82	HHG200H	88
AFH970	209	EE820	294	ESC340	260	HDA125Z	82	HHG250H	88
AFH975	209	EE825	294	ESC363	260	HDA126U	82	HI403I	164
		EE827	294	ESC425	260	HDA126Z	82	HI405I	164
<b>B</b>		EE830	294	ESC440	260	HDA160U	82	HI451I	164
BDC380E	217	EE840	294	ESC442	260	HDA160Z	82	HI452I	164
BDC480E	217	EE850	294	ESC443	260	HDA161U	82	HI454I	164
BDH380E	217	EE855	294	ESC463	260	HDA161Z	82	HI456I	164
BDH480E	217								



Cat. ref.	Page No.	Cat. ref.	Page No.	Cat. ref.	Page No.	Cat. ref.	Page No.	Cat. ref.	Page No.
HI458I	164	HNG125H	88	HYD011H	93	KZN021	71	NBN206N	196
HI460I	164	HNG160H	88	HYD012H	93	KZN023	71	NBN210N	196
HI462I	164	HNG200H	88	HYD014H	93	KZN024	71	NBN216N	196
HI464I	164	HNG250H	88	HYD015H	93	<b>L</b>		NBN220N	196
HIB412I	174	HR500	222	HYE019H	96, 96, 98	L501PV	249	NBN225N	196
HIB416I	174	HR502	222	HZ160I	164	L502PV	249	NBN232N	196
HIB425I	174	HR510	222	HZ163MI	164	LF300G	243	NBN240N	196
HIB440I	174	HR741	222	HZ164MI	164	LF301G	243	NBN250N	196
HIB463I	174	HR742	222	HZC101I	164	LF302G	243	NBN263N	196
HIB480I	174	HR743	222	HZC102I	164	LF302PV	249	NBN306N	196
HIB490I	174	HR744	222	HZC105I	164	LF303PV	249	NBN310N	196
HIB491I	174	HR745	222	HZC106I	164	LF304G	243	NBN316N	196
HIB492I	174	HXA001H	84, 87	HZC202I	164, 174	LF304PV	249	NBN320N	196
HLF180S	197	HXA004H	87	HZC204I	164, 174	LF306G	243	NBN325N	196
HLF190S	197	HXA011H	84, 87	HZC206I	164, 174	LF306PV	249	NBN332N	196
HLF199S	197	HXA014H	84, 87	HZI002I	164	LF308G	243	NBN340N	196
HLF280S	197	HXA015H	84, 87	HZI003I	164	LF308PV	249	NBN350N	196
HLF290S	197	HXA021H	84, 87	HZI201I	174	LF310G	243	NBN363N	196
HLF299S	197	HXA024H	84, 87	HZI202I	174	LF310PV	249	NBN406N	196
HLF380S	197	HXA030H	85	HZI203I	174	LF312G	243	NBN410N	196
HLF390S	197	HXA031H	85	HZI204I	174	LF312PV	249	NBN416N	196
HLF399S	197	HXA035H	84	HZI205I	174	LF316G	243	NBN420N	196
HLF480S	197	HXB030H	87	HZI811I	174	LF316PV	249	NBN425N	196
HLF490S	197	HXB031H	87	HZI812I	174	LF320G	243	NBN432N	196
HLF499S	197	HXB042H	87	HZI910I	174	LF320PV	249	NBN440N	196
HNA025U	83	HXB065H	87	HZI911I	174	LF325G	243	NBN450N	196
HNA026U	83	HXC001H	90	<b>J</b>		LF325PV	249	NBN463N	196
HNA040U	83	HXC001H	93	JK1XKLS6	55	LF332G	243	NCN100N	196
HNA041U	83	HXC001H	95	JN2B00004S16	54	LF332PV	249	NCN101N	196
HNA063U	83	HXC004H	90	JN2B00006S16	54	LF402G	243	NCN102N	196
HNA064U	83	HXC004H	93	JN2B00008S16	54	LF404G	243	NCN103N	196
HNA080U	83	HXC004H	95	JN2B00010S16	54	LF406G	243	NCN104N	196
HNA081U	83	HXC011H	90	JN2B00012S16	54	LF408G	243	NCN106N	196
HNA100U	83	HXC011H	93	JN2B00016S16	54	LF410G	243	NCN110N	196
HNA101U	83	HXC014H	90	JN2L2503MH6	55	LF412G	243	NCN116N	196
HNA125U	83	HXC014H	93	JN4B00004S16	54	LF416G	243	NCN120N	196
HNA126U	83	HXC015H	90	JN4B00006S16	54	LF420G	243	NCN125N	196
HNA160U	83	HXC015H	93	JN4B00008S16	54	LF425G	243	NCN132N	196
HNA161U	83	HXC021H	90	JN4B00010S16	54	LF432G	243	NCN140N	196
HNB100U	86	HXC021H	93, 95, 98	JN4B00012S16	54	LF440G	243	NCN150N	196
HNB101U	86	HXC024H	90, 93, 95, 98	JN4B00016S16	54	LF445G	243	NCN163N	196
HNB125U	86	HXC030H	90	JN4L4003MH6	55	LF450G	243	NCN200N	196
HNB126U	86	HXC031H	90	JN8B00004S16	54	LS502	243	NCN201N	196
HNB160U	86	HXC035H	90	JN8B00006S16	54	LS601	243	NCN202N	196
HNB161U	86	HXC042H	90	JN8B00008S16	54	LS602	243	NCN203N	196
HNB200U	86	HXC065H	90	JN8B00010S16	54	<b>M</b>		NCN204N	196
HNB201U	86	HXD030H	93	JN8B00012S16	54	ML506J	198	NCN206N	196
HNB250U	86	HXD031H	93	JN8B00016S16	54	ML510J	198	NCN210N	196
HNB251U	86	HXD039H	93	JN8B00020S16	54	ML516J	198	NCN216N	196
HNC040H	89	HXD042H	93	JN8B000204S16	54	ML520J	198	NCN220N	196
HNC041H	89	HXD065H	93	JN8B000206S16	54	ML525J	198	NCN225N	196
HNC125H	89	HXE011H	95, 98	JN8B000208S16	54	ML532J	198	NCN232N	196
HNC126H	89	HXE014H	95, 98	JN8B000210S16	54	ML540J	198	NCN240N	196
HNC250H	89	HXE015H	95, 98	JN8B000214S16	54	MZ201	220	NCN250N	196
HNC251H	89	HXE030H	96	JN8L6303MH6	55	MZ202	220	NCN263N	196
HND251U	91	HXE031H	96	JN8L8003MH6	55	MZ203	220	NCN300N	196
HND400H	92	HXE042H	96	<b>K</b>		MZ204	220	NCN301N	196
HND400U	91	HXE065H	95	KB163N	71	MZ205	220	NCN302N	196
HND401H	92	HXF001H	98	KB163P	71	MZ206	220	NCN303N	196
HND401U	91	HXF004H	98	KD163B	71	MZ209	220	NCN304N	196
HND630H	92	HXF030H	98	KD263B	71	MZ215	220	NCN306N	196
HND631H	92	HXF031H	98	KD363B	71	MZ216	220	NCN310N	196
HNE630H	94	HXF039H	98	KD463B	71	MZN175	220	NCN316N	196
HNE800H	94	HXF042H	98	KDN163A	71	<b>N</b>		NCN320N	196
HNE801H	94	HYA014H	85	KDN263A	71	NBN106N	196	NCN325N	196
HNE970H	94	HYA015H	85	KDN363A	71	NBN110N	196	NCN332N	196
HNE971H	94	HYA019H	85	KDN463A	71	NBN116N	196	NCN340N	196
HNF980H	97	HYA033H	85	KF83D	71	NBN120N	196	NCN350N	196
HNF981H	97	HYB011H	87	KM14N	71	NBN125N	196	NCN363N	196
HNF990H	97	HYB012H	87, 90	KNX10LH	248	NBN132N	196	NCN400N	196
HNF991H	97	HYB019H	85, 85, 87	KR50U	71	NBN140N	196	NCN401N	196
HNG063H	88	HYC011H	90	KW10LH	248	NBN150N	196	NCN402N	196
HNG100H	88	HYC019H	90	KZ021	71	NBN163N	196	NCN403N	196

Cat. ref.	Page No.	Cat. ref.	Page No.	Cat. ref.	Page No.	Cat. ref.	Page No.	Cat. ref.	Page No.
NCN404N	196	SBN263N	193	SVN433	254	VYD00E4	55	YYP16GH	23
NCN406N	196	SBN290N	193	<b>V</b>		VYD00E6	55	VYS04D	20
NCN410N	196	SBN299N	193	VE103L	68	VYD00M2	55	VYS04E	32
NCN416N	196	SBN332N	193	VE103PN	248	VYD00M4	55	VYS04G	20
NCN420N	196	SBN340N	193	VE106L	68	VYD00M6	55	VYS04P	20
NCN425N	196	SBN363N	193	VE106PN	248	VYF14E	32	VYS06C	20
NCN432N	196	SBN390N	193	VE110L	68	VYF16E	32	VYS06D	20
NCN440N	196	SBN399N	193	VE110PN	248	VYF214D	29	VYS06E	32
NCN450N	196	SBN432N	193	VE112L	68	VYF214G	29	VYS06G	20
NCN463N	196	SBN440N	193	VE112PN	248	VYF214P	29	VYS06P	20
NDN100N	196	SBN463N	193	VE118L	68	VYF314D	29	VYS08C	20
NDN101N	196	SBN490N	193	VE118PN	248	VYF314G	29	VYS08D	20
NDN102N	196	SBN499N	193	VE212L	68	VYF314P	29	VYS08E	32
NDN103N	196	SF440	193	VE212PN	248	VYF414D	29	VYS08G	20
NDN104N	196	SF463	193	VE218L	68	VYF414G	29	VYS08P	20
NDN106N	196	SFT225N	193	VE218PN	248	VYF414P	29	VYS12C	20
NDN110N	196	SFT240N	193	VE312L	68	VYF416D	29	VYS12D	20
NDN116N	196	SFT440N	193	VE312PN	248	VYF416G	29	VYS12E	32
NDN120N	196	SK602	256	VE318L	68	VYF416P	29	VYS12G	20
NDN125N	196	SK603	256	VE318PN	248	VYG04CL	27	VYS12P	20
NDN132N	196	SK606	256	VE412L	68	VYG04DL	27	VYS16C	20
NDN140N	196	SM030	256	VE412PN	248	VYG04DM	27	VYS16D	20
NDN150N	196	SM050	256	VF104PJ	62	VYG06CL	27	VYS16E	32
NDN163N	196	SM100	256	VF104TJ	62	VYG06DL	27	VYS16G	20
NDN200N	196	SM150	256	VF108PJ	62	VYG06DM	27	VYS18C	20
NDN201N	196	SM250	256	VF108TJ	62	VYG08CL	27	VYS18D	20
NDN202N	196	SM500	256	VF112PJ	62	VYG08DL	27	VYS18G	20
NDN203N	196	SP120	225	VF112TJ	62	VYG08DM	27	VYT04CD	21
NDN204N	196	SP150	225	VF118PJ	62	VYG12CL	27	VYT04CH	21
NDN206N	196	SP320	225	VF118TJ	62	VYG12DL	27	VYT04DD	21
NDN210N	196	SPD015D	227	VF212PJ	62	VYG12DM	27	VYT04DH	21
NDN216N	196	SPD040D	227	VF212TJ	62	VYH04DH	22	VYT04E	32
NDN220N	196	SPD040N	227	VF218PJ	62	VYH04E	32	VYT04E	32
NDN225N	196	SPD215D	225	VF218TJ	62	VYH04GH	22	VYT04GH	21
NDN232N	196	SPD415D	225	VF312PJ	62	VYH04PH	22	VYT04PH	21
NDN240N	196	SPN040N	227	VF312TJ	62	VYH06DH	22	VYT06CD	21
NDN250N	196	SPN040R	227	VF412PJ	62	VYH06E	32	VYT06CH	21
NDN263N	196	SPN065N	227	VF412TJ	62	VYH06GH	22	VYT06DD	21
NDN300N	196	SPN065R	227	VS104PJ	62	VYH06PH	22	VYT06DH	21
NDN301N	196	SPN115D	225	VS104TJ	62	VYH08DH	22	VYT06E	32
NDN302N	196	SPN140R	225	VS108PJ	62	VYH08E	32	VYT06GH	21
NDN303N	196	SPN140R	225	VS108TJ	62	VYH08GH	22	VYT06PH	21
NDN304N	196	SPN165R	225	VS112PJ	62	VYH08PH	22	VYT08CH	21
NDN306N	196	SPN203N	226	VS112TJ	62	VYH12DH	22	VYT08DH	21
NDN310N	196	SPN240R	225	VS118PJ	62	VYH12E	32	VYT08E	32
NDN316N	196	SPN240R	225	VS118TJ	62	VYH12GH	22	VYT08E	32
NDN320N	196	SPN265R	225	VS212PJ	62	VYH12PH	22	VYT08GH	21
NDN325N	196	SPN403N	226	VS212TJ	62	VYM02C	30	VYT08PH	21
NDN332N	196	SPN440R	225	VS218PJ	62	VYM04C	30	VYT12CH	21
NDN340N	196	SPN440R	225	VS218TJ	62	VYM06C	30	VYT12DH	21
NDN350N	196	SPN465R	225	VS312PJ	62	VYM08C	30	VYT12E	32
NDN363N	196	SPN504	226	VS312TJ	62	VYM16OHM	30	VYT12GH	21
NDN400N	196	SPN505	226	VS412PJ	62	VYM161HM	30	VYT12PH	21
NDN401N	196	SPV025	249	VS412TJ	62	VYM25OHM	30	VYT16DH	21
NDN402N	196	SPV025E	249	VYA110C	31	VYM251HM	30	VYT16E	32
NDN403N	196	SPV325	249	VYA120C	31	VYP06DH	23	VYT16GH	21
NDN404N	196	SRA00505	256	VYA220C	31	VYP06E	32	VYV00E	32
NDN406N	196	SRA01005	256	VYA420C	31	VYP06GH	23	VYV00M	24, 25, 26
NDN410N	196	SRA01505	256	VYA432C	31	VYP06PH	23	VYV04DL-P	24
NDN416N	196	SRA02005	256	VYA863C	31	VYP08DH	23	VYV04DM2-P	26
NDN420N	196	SRA02505	256	VYB416C	31	VYP08E	32	VYV04DM-P	25
NDN425N	196	SU213	259	VYB432C	31	VYP08GH	23	VYV06DL-P	24
NDN432N	196	SU215	259	VYB832C	31	VYP08PH	23	VYV06DM2-P	26
NDN440N	196	SVN121	254	VYB863C	31	VYP10DH	23	VYV06DM-P	25
NDN450N	196	SVN122	254	VYC04CH	28	VYP10E	32	VYV08DL-P	24
NDN463N	196	SVN123	254	VYC04DF	28	VYP10GH	23	VYV08DM2-P	26
<b>P</b>		SVN124	254	VYC04DH	28	VYP12DH	23	VYV08DM-P	25
P031F	71	SVN126	254	VYC06CH	28	VYP12DM	23	VYV12DL-P	24
P032F	71	SVN129	254	VYC06DH	28	VYP12E	32	VYV12DM2-P	26
<b>S</b>		SVN222	254	VYC08CH	28	VYP12EM	32	VYV12DM-P	25
SB432PV	249	SVN312	254	VYC08DH	28	VYP12GH	23	VYV16DL-P	24
SBN225N	193	SVN332	254	VYC12CH	28	VYP12GM	23	VYV16DM2-P	26
SBN232N	193	SVN352	254	VYC12DH	28	VYP12PH	23	VYV16DM-P	25
SBN240N	193	SVN413	254	VYD00E2	55	VYP16DH	23	VZ016M	248

Cat. ref.	Page No.	Cat. ref.	Page No.	Cat. ref.	Page No.
VZ020D	248	WSNCG3S	328	WSNMB2	331
VZ020M	248	WSNCG3WEO	330	WSNMB3	331
VZ025D	248	WSNCG4	328	WSNMB4	331
VZ025M	248	WSNCG4A	328	WSNMB6	331
VZ032D	248	WSNCG4BS	329	WSNMB8H	331
VZ032M	248	WSNCG4GB	329	WSNMB8R	331
VZ040M	248	WSNCG4GW	329	WSNMS12	321
VZ100i	32	WSNCG4S	328	WSNMS12A	321
VZ101i	32	WSNCG4WEO	330	WSNSK11	322
VZ110i	32	WSNCG6	328	WSNSK11A	322
VZ111i	32	WSNCG6A	328	WSNSK22	322
VZ112i	32	WSNCG6BS	329	WSNSK22A	322
VZ113i	32	WSNCG6GB	329	WSNSK22R	324
VZ120i	32	WSNCG6GW	329	WSNSK32	322
VZ121i	32	WSNCG6S	328	WSNSK32A	322
VZ122i	32	WSNCG6WEO	330	WSNSK42	322
VZ123i	32	WSNCG8	328	WSNSK42A	322
VZ130I	31	WSNCG8A	328	WSNSK42R	324
VZ131I	31	WSNCG8BS	329	WSNSK53	322
VZ132I	31	WSNCG8GB	329	WSNSK53A	322
VZ133I	31	WSNCG8GW	329	WSNSK53R	324
VZ134I	31	WSNCG8S	328	WSNSK62	322
VZ140I	31	WSNCG8WEO	330	WSNSK62A	322
VZ141I	31	WSNCGS8	328	WSNSK62R	324
VZ142I	31	WSNCGS8A	328	WSNSL11	320
VZ143I	31	WSNCGS8BS	329	WSNSL11A	320
VZ144I	31	WSNCGS8GB	329	WSNSL511	320
VZ311	68	WSNCGS8GW	329	WSNSL51A	320
VZ794N	62	WSNCGS8S	328	WSNSL71	321
<b>W</b>		WSNCGS8WEO	330	WSNSL71A	321
WS051	325	WSNDS11	323	WSNSL92	321
WS051N	325	WSNDS11A	323	WSNSL92A	321
WS055	326	WSNDS21	323	WSNSW11	320
WS110	323	WSNDS21A	323	WSNSW11A	320
WS110N	323	WSNDS31	323	WSNSW11R	324
WSNBK11	324	WSNDS31A	323	WSNSW21	320
WSNBK11A	324	WSNDS41	323	WSNSW21A	320
WSNBP11	322	WSNDS41A	323	WSNSW31	320
WSNBP11A	322	WSNDS51	323	WSNSW31A	320
WSNBP12	322	WSNDS51A	323	WSNSW51	320
WSNBP12A	322	WSNDS61	323	WSNSW51A	320
WSNBP21	322	WSNDS61A	323	WSNSW51R	324
WSNBP21A	322	WSNDS71	324	WSNSW61	320
WSNBP22	322	WSNDS71A	324	WSNSW61A	320
WSNBP22A	322	WSNDT11	324	WSNSW71	321
WSNCG1	328	WSNDT11A	324	WSNSW71A	321
WSNCG12	328	WSNDT21	324	WSNSW81	321
WSNCG12A	328	WSNDT21A	324	WSNSW81A	321
WSNCG12BS	329	WSNDT31	324	WST312	325
WSNCG12GB	329	WSNDT31A	324	WST312N	325
WSNCG12GW	329	WSNDT42	324	WST312T	325
WSNCG12S	328	WSNDT42A	324	WST314	325
WSNCG12WEO	330	WSNG1	330	WST314N	325
WSNCG18	328	WSNG12	330	WST314T	325
WSNCG18A	328	WSNG2	330	WST316	325
WSNCG18S	328	WSNG3	330	WST316N	325
WSNCG1A	328	WSNG4	330	WST316T	325
WSNCG1BS	329	WSNG6	330	WST322	325
WSNCG1GB	329	WSNG8	330	WST322N	325
WSNCG1GW	329	WSNG8S	330	WST322T	325
WSNCG1S	328	WSNHS12	326	WST324	325
WSNCG1WEO	330	WSNHS12A	326	WST324N	325
WSNCG2	328	WSNHS22	326	WST324T	325
WSNCG2A	328	WSNHS22A	326		
WSNCG2BS	329	WSNHS44	327		
WSNCG2GB	329	WSNHS44A	327		
WSNCG2GW	329	WSNHS52	327		
WSNCG2S	328	WSNHS52A	327		
WSNCG2WEO	330	WSNHS62	327		
WSNCG3	328	WSNHS62A	327		
WSNCG3A	328	WSNHS72	327		
WSNCG3BS	329	WSNHS72A	327		
WSNCG3GB	329	WSNMB12	331		
WSNCG3GW	329	WSNMB18	331		







# We are close to you!

## North

Delhi & NCR  
Haryana  
Uttar Pradesh  
Uttarakhand

## North

## West

Punjab  
Chandigarh  
Himachal Pradesh  
Jammu & Kashmir  
Rajasthan

## East

West Bengal  
Orissa  
Bihar  
Jharkhand  
Arunachal Pradesh  
Assam  
Manipur  
Meghalaya  
Mizoram  
Nagaland  
Tripura

## West

Maharashtra  
Gujarat  
Goa  
Madhya Pradesh  
Chattisgarh

## South

Tamilnadu  
Pondicherry  
Karnataka  
Kerala  
Telangana  
Andhra Pradesh

## Our network to serve you better

- 150+ Authorised Channel Partners
- 35+ System Integrators
- 25+ Service Centres



[hager.co.in](http://hager.co.in)

\* Product development is a continuous process and hence the described content in the catalogue are subject to change without prior notice. Contact your nearest Hager Partner for the latest information.



**Hager Electro Private Limited**

**Corporate Office:**

Office No. 504, Pentagon P1  
Magarpatta City, Hadapsar  
Pune-411013  
India

Tel: +91 20 41477500  
Fax: +91 20 41477510  
Toll free no.: 1800 103 5440  
hagerwow@hager.co.in  
**hager.co.in**

**Mumbai Sales Office:**

WeWork The Masterpiece  
Marol Metro Station  
Marol, Andheri East  
Mumbai-400059  
India

Tel: +91 22 49097185

**Delhi Sales Office:**

B 217 Tower B  
DLF Towers, Jasola  
New Delhi-110025  
India

Tel: +91 11 42548644

**Kolkata Sales Office:**

Office # 506, 5th Floor  
Shantiniketan Building  
8, Camac Road  
Kolkata-700017  
India

**Bengaluru Sales Office:**

WeWork Galaxy  
# 02A129, 43 Residency Rd  
Bengaluru-560025  
India

Tel: +91 80 44451100